

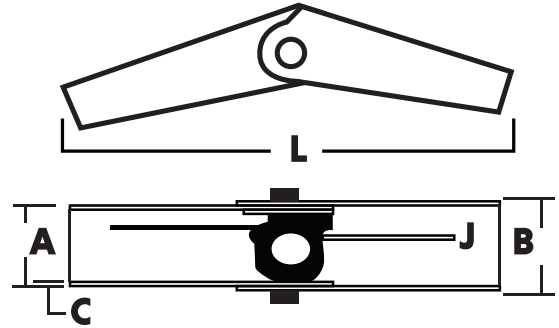


# CONQUEST

CONQUER THE JOB

## TOGGLE BOLTS

### DIMENSIONAL INFORMATION



| Bolt Size       | A                |      | B                |      | C         |      | L             |       | J               |       |
|-----------------|------------------|------|------------------|------|-----------|------|---------------|-------|-----------------|-------|
|                 | Small Wing Width |      | Large Wing Width |      | Thickness |      | Toggle Length |       | Spring Diameter |       |
|                 | Min              | Max  | Min              | Max  | Min       | Max  | Min           | Max   | Min             | Max   |
| 6-32 (1/8-32)   | 5.7              | 6.7  | 7.7              | 8.7  | 0.55      | 0.65 | 36.5          | 39.5  | 36.5            | 39.5  |
| 8-32            | 8.6              | 9.6  | 11               | 12   | 0.65      | 0.75 | 48.5          | 51.5  | 48.5            | 51.5  |
| 10-24 (3/16-24) | 8.6              | 9.6  | 11               | 12   | 0.65      | 0.75 | 48.5          | 51.5  | 48.5            | 51.5  |
| 1/4-20          | 10.7             | 12.3 | 13.6             | 15.2 | 0.85      | 0.95 | 52.5          | 55.5  | 52.5            | 55.5  |
| 5/16-18         | 14               | 15.6 | 17.1             | 18.7 | 1.1       | 1.3  | 63.5          | 66.5  | 63.5            | 66.5  |
| 3/8-16          | 16.5             | 18.5 | 19.9             | 21.9 | 1.1       | 1.3  | 73.5          | 76.5  | 73.5            | 76.5  |
| 1/2-13          | 19.8             | 21.8 | 24.5             | 26.5 | 1.4       | 1.6  | 111.5         | 114.5 | 111.5           | 114.5 |