

E-Z Base™/E-Z Mender™/E-Z Spike™

Fence Products

Replacing an entire fence can be an expensive and difficult task. Simpson Strong-Tie offers a line of products designed to help make reinforcing fence posts easy and economical. The E-Z Base™, E-Z Mender™ and E-Z Spike™ offer simple solutions for all types of fence post projects.

E-Z Spike (Model No. FPBS44)

- Allows easy installation of 4x4 wood posts without digging holes or pouring concrete
- Can be used for a variety of applications where quick-to-install posts are needed

E-Z Mender (Model No. FPBM44E)

- Allows easy repair of rotted or damaged 4x4 wood posts installed in concrete or dirt
- Reinforces weakened wood posts without having to replace the post or the concrete
- Installs with #9 x 1½" Strong-Drive® SD Connector screws

E-Z Base (Model No. FPBB44)

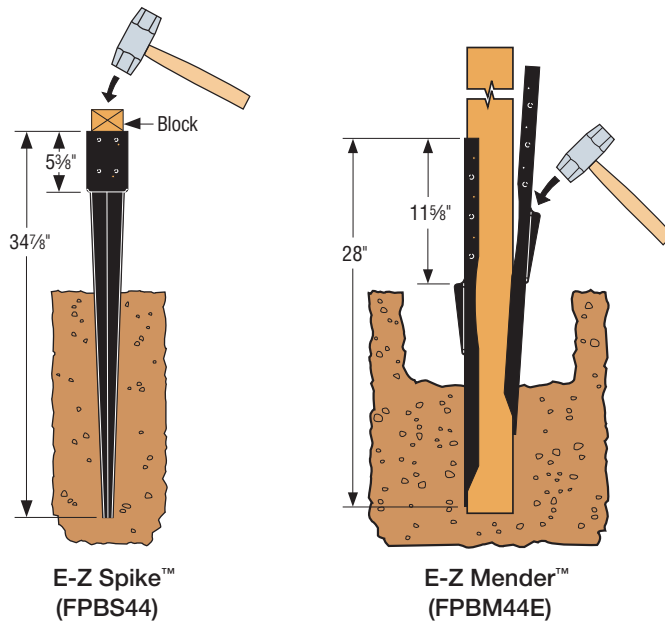
- Allows easy installation of 4x4 wood posts on existing concrete

Material: 12 gauge

Finish: Black powder coat

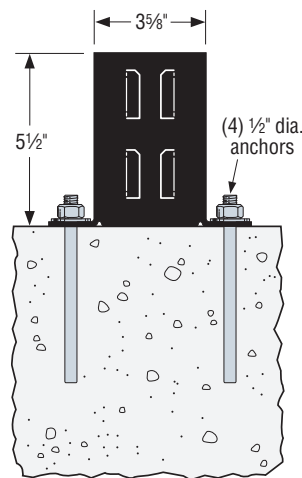
Installation:

- See flier [F-C-EZFPF](#) at [strongtie.com](#)
- Attach post to E-Z Spike with (4) ¼" Strong-Drive SDS Heavy-Duty Connector screws or ¼" HDG lag screws; attach E-Z Base with (8) screws. Attach post to E-Z Mender using (6) HDG nails or screws per part
- Post bases do not provide adequate resistance to prevent rotation about the base and therefore are not recommended for non-top-supported installations such as fences or unbraced carports

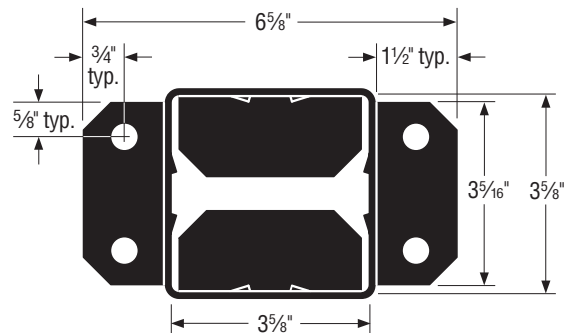


E-Z Spike™
(FPBS44)

E-Z Mender™
(FPBM44E)



E-Z Base™
(FPBB44)



E-Z Base™ (FPBB44) Top View

SD Many of these products are approved for installation with Strong-Drive® SD Connector screws. See pp. 348–352 for more information.

Warning: The E-Z Base and E-Z Spike products should not be used for solid fences in excess of 4' in height or that are unprotected from wind forces. These products are not rated for uplift loads, and should not be used with posts for overhead structures or any other structure that requires resistance to wind uplift loads. Notwithstanding the terms of the Limited Warranty, Simpson Strong-Tie does not guarantee, represent or warrant that this product will prevent or reduce damage caused by corrosion, or any seismic, wind, atmospheric, or other load-producing event.