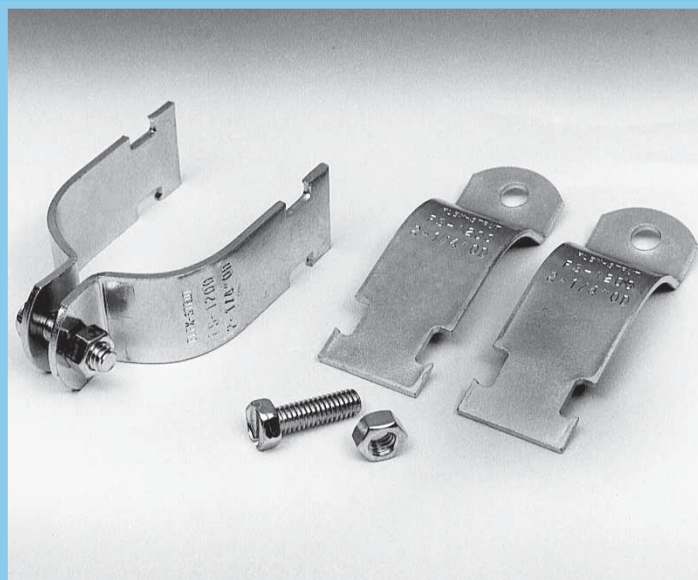
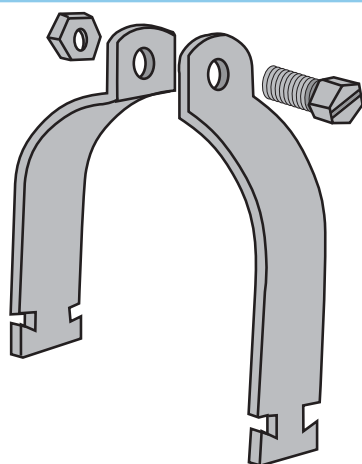


PIPE CLAMPS



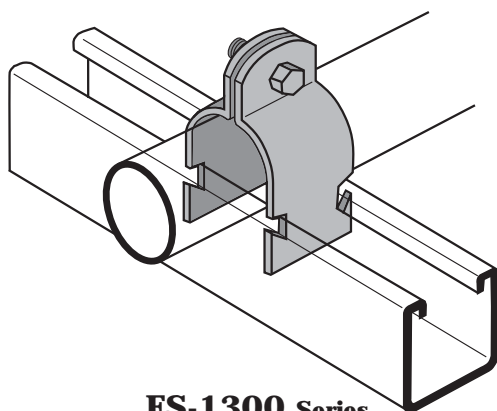
FS-1000 Series THINWALL CONDUIT CLAMPS (E.M.T.)

Part No.	Nominal Size	#/Cpc	Gauge	Allowable Load	Slotted Indented Hex Cap Screw
FS-1000-3/8	3/8"	9#	16	400#	1/4" x 3/4"
FS-1000-1/2	1/2"	11#	16	400#	1/4" x 3/4"
FS-1000-3/4	3/4"	12#	16	400#	1/4" x 3/4"
FS-1000-1	1"	15#	14	600#	1/4" x 3/4"
FS-1000-1-1/4	1-1/4"	15#	14	600#	1/4" x 3/4"
FS-1000-1-1/2	1-1/2"	29#	12	800#	5/16" x 1"
FS-1000-2	2"	33#	12	800#	5/16" x 1"



FS-1100 Series RIGID CONDUIT CLAMPS (PIPE)

Part No.	Nominal Size	#/Cpc	Gauge	Allowable Load	Slotted Indented Hex Cap Screw
FS-1100-3/8	3/8"	10#	16	400#	1/4" x 3/4"
FS-1100-1/2	1/2"	11#	16	400#	1/4" x 3/4"
FS-1100-3/4	3/4"	12#	16	400#	1/4" x 3/4"
FS-1100-1	1"	15#	14	600#	1/4" x 3/4"
FS-1100-1-1/4	1-1/4"	19#	14	600#	1/4" x 3/4"
FS-1100-1-1/2	1-1/2"	29#	12	800#	5/16" x 1"
FS-1100-2	2"	34#	12	800#	5/16" x 1"
FS-1100-2-1/2	2-1/2"	40#	12	800#	5/16" x 1"
FS-1100-3	3"	47#	12	800#	5/16" x 1"
FS-1100-3-1/2	3-1/2"	62#	11	1000#	3/8" x 1-1/4"
FS-1100-4	4"	67#	11	1000#	3/8" x 1-1/4"
FS-1100-5	5"	80#	11	1000#	3/8" x 1-1/4"
FS-1100-6	6"	102#	10	1000#	3/8" x 1-1/4"
FS-1100-8	8"	116#	10	1000#	3/8" x 1-1/4"
FS-1100-10	10"	145#	10	1000#	3/8" x 1-1/4"
FS-1100-12	12"	160#	10	1000#	3/8" X 1-1/4"



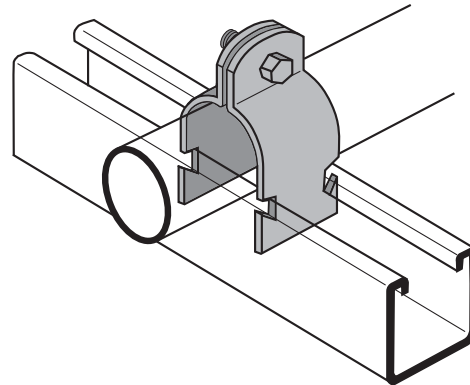
FS-1300 Series UNIVERSAL CLAMPS (E.M.T. OR RIGID)

Part No.	Nominal Size	#/Cpc	Gauge	Allowable Load	Slotted Indented Hex Cap Screw
FS-1300-3/8	3/8"	9#	16	400#	5/16" x 1-1/4"
FS-1300-1/2	1/2"	11#	16	400#	5/16" x 1-1/4"
FS-1300-3/4	3/4"	12#	16	400#	5/16" x 1-1/4"
FS-1300-1	1"	15#	14	600#	5/16" x 1-1/4"
FS-1300-1-1/4	1-1/4"	18#	14	600#	5/16" x 1-1/4"
FS-1300-1-1/2	1-1/2"	28#	12	800#	5/16" x 1-1/4"
FS-1300-2	2"	32#	12	800#	5/16" x 1-1/4"

FOR ASSEMBLED, USE "A" SUFFIX
Example: FS-1300A-2

Part No.	O.D. Tube Size	#/Cpc	Gauge	Allowable Load	Slotted Indented Hex Cap Screw
FS-1200-1/4	1/4"	8#	16	400#	1/4" x 3/4"
FS-1200-3/8	3/8"	8#	16	400#	1/4" x 3/4"
FS-1200-1/2	1/2"	9#	16	400#	1/4" x 3/4"
FS-1200-5/8	5/8"	10#	16	400#	1/4" x 3/4"
FS-1200-3/4	3/4"	11#	16	400#	1/4" x 3/4"
FS-1200-7/8	7/8"	12#	16	400#	1/4" x 3/4"
FS-1200-1	1"	14#	14	600#	1/4" x 3/4"
FS-1200-1-1/8	1-1/8"	15#	14	600#	1/4" x 3/4"
FS-1200-1-1/4	1-1/4"	16#	14	600#	1/4" x 3/4"
FS-1200-1-3/8	1-3/8"	17#	14	600#	1/4" x 3/4"
FS-1200-1-1/2	1-1/2"	18#	14	600#	1/4" x 3/4"
FS-1200-1-5/8	1-5/8"	19#	14	600#	1/4" x 3/4"
FS-1200-1-3/4	1-3/4"	29#	12	800#	5/16" x 1"
FS-1200-1-7/8	1-7/8"	28#	12	800#	5/16" x 1"
FS-1200-2	2"	31#	12	800#	5/16" x 1"
FS-1200-2-1/8	2-1/8"	32#	12	800#	5/16" x 1"
FS-1200-2-1/4	2-1/4"	33#	12	800#	5/16" x 1"
FS-1200-2-3/8	2-3/8"	34#	12	800#	5/16" x 1"
FS-1200-2-1/2	2-1/2"	35#	12	800#	5/16" x 1"
FS-1200-2-5/8	2-5/8"	37#	12	800#	5/16" x 1"
FS-1200-2-3/4	2-3/4"	38#	12	800#	5/16" x 1"
FS-1200-2-7/8	2-7/8"	40#	12	800#	5/16" x 1"
FS-1200-3	3"	41#	12	800#	5/16" x 1"
FS-1200-3-1/8	3-1/8"	43#	12	800#	5/16" x 1"
FS-1200-3-1/4	3-1/4"	45#	12	800#	5/16" x 1"
FS-1200-3-3/8	3-3/8"	46#	12	800#	5/16" x 1"
FS-1200-3-1/2	3-1/2"	47#	12	800#	5/16" x 1"
FS-1200-3-5/8	3-5/8"	56#	11	1000#	3/8" x 1-1/4"
FS-1200-3-3/4	3-3/4"	58#	11	1000#	3/8" x 1-1/4"
FS-1200-3-7/8	3-7/8"	60#	11	1000#	3/8" x 1-1/4"
FS-1200-4	4"	62#	11	1000#	3/8" x 1-1/4"
FS-1200-4-1/8	4-1/8"	62#	11	1000#	3/8" x 1-1/4"
FS-1200-4-1/4	4-1/4"	64#	11	1000#	3/8" x 1-1/4"
FS-1200-4-3/8	4-3/8"	66#	11	1000#	3/8" x 1-1/4"
FS-1200-4-1/2	4-1/2"	67#	11	1000#	3/8" x 1-1/4"
FS-1200-4-5/8	4-5/8"	70#	11	1000#	3/8" x 1-1/4"
FS-1200-4-3/4	4-3/4"	72#	11	1000#	3/8" x 1-1/4"
FS-1200-4-7/8	4-7/8"	73#	11	1000#	3/8" x 1-1/4"
FS-1200-5	5"	74#	11	1000#	3/8" x 1-1/4"
FS-1200-5-1/8	5-1/8"	76#	11	1000#	3/8" x 1-1/4"
FS-1200-5-1/4	5-1/4"	77#	11	1000#	3/8" x 1-1/4"
FS-1200-5-3/8	5-3/8"	78#	11	1000#	3/8" x 1-1/4"
FS-1200-5-1/2	5-1/2"	79#	11	1000#	3/8" x 1-1/4"
FS-1200-5-5/8	5-5/8"	88#	10	1000#	3/8" x 1-1/4"
FS-1200-5-3/4	5-3/4"	90#	10	1000#	3/8" x 1-1/4"
FS-1200-5-7/8	5-7/8"	92#	10	1000#	3/8" x 1-1/4"
FS-1200-6	6"	92#	10	1000#	3/8" x 1-1/4"

(For Larger Sizes-Contact The Factory)



**FS-1200 Series
O.D. TUBING CLAMPS**

Standard Finish = Electro-Galvanized E/G

Special Material	Add Suffix to Part Number	Example
Copper Plated Clamp and Hardware	C/P	FS-1200-2 1/8 C/P
Aluminum	AL	FS-1200-2 AL
Stainless Steel Type 304	ST4	FS-1200-2 ST4
Stainless Steel Type 316	ST6	FS-1200-2 ST6
For Assembled Clamps	-A	FS-1200A-2

Special Materials Available for FS-1100 and FS-1200 Series
(Any pipe clamp may be assembled)

LARGER SIZES AVAILABLE UPON REQUEST

