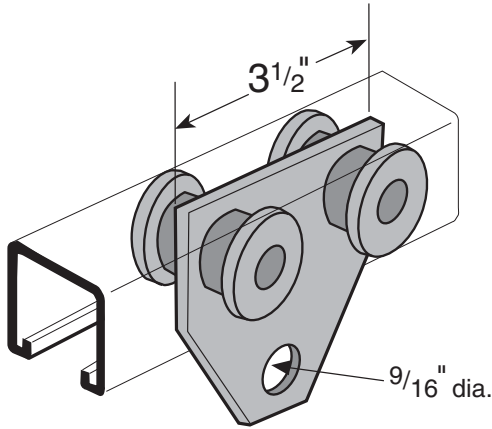


# TROLLEYS

Design Load = 600#

106#/Cpc

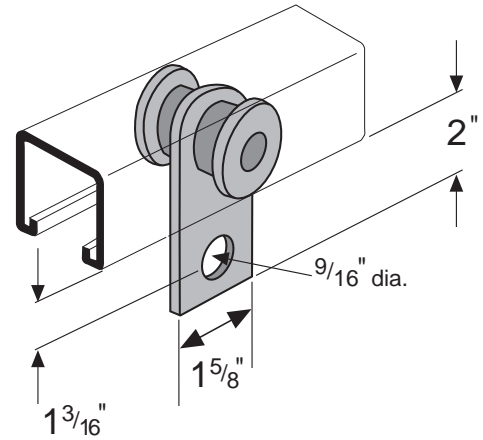


Fits FS-200 Channel

**FS-6600**  
FOUR WHEEL TROLLEY

Design Load = 300#

59#/Cpc

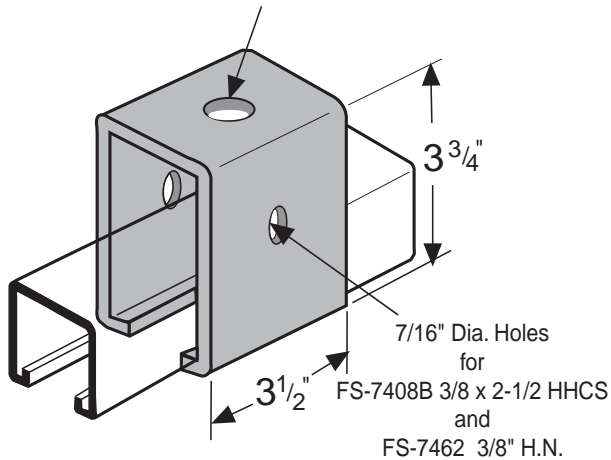


Fits FS-200 Channel

**FS-6602**  
TWO WHEEL TROLLEY

240#/Cpc

9/16" Dia. Hole for 1/2" Rod Support

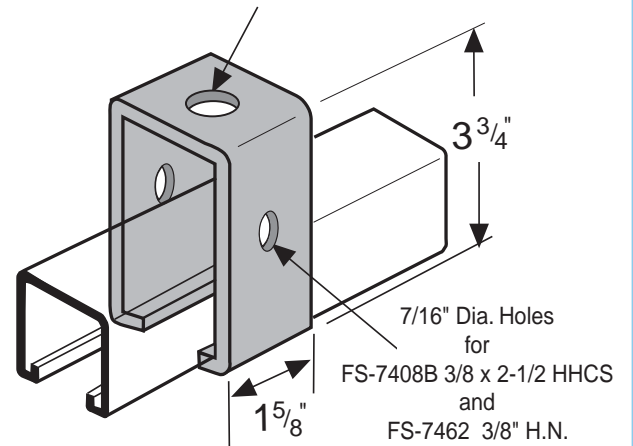


Hardware Sold Separately

**FS-6603**  
TROLLEY BEAM JOINT SUPPORT

105#/Cpc

9/16" Dia. Hole for 1/2" Rod Support



Hardware Sold Separately

**FS-6604**  
TROLLEY BEAM INTERMEDIATE SUPPORT