

GH

Girder Top-Flange Hanger

A girder-to-foundation wall connection.

Material: 12 gauge

Finish: Simpson Strong-Tie gray paint, hot-dip galvanized, specify HDG; see Corrosion Information, pp. 12–15

Installation:

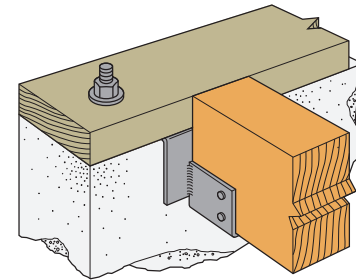
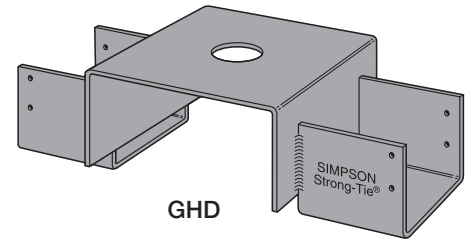
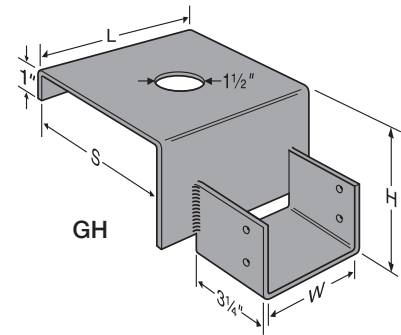
- Use all specified fasteners; see General Notes.
- Insert four 0.162" x 3 1/2" nails into girder.
- H = girder height – mudsill thickness. Measurement is from the bottom of the top flange to the top of the seat.
- 1 1/2" clearance hole accommodates rebar or anchor. This is not required.

Options:

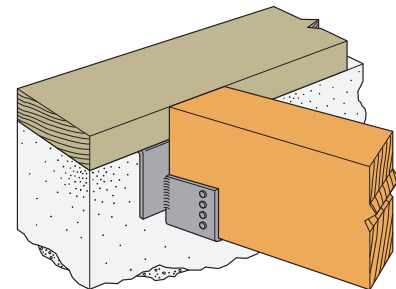
- GH hangers may be skewed to a maximum of 45°; bevel cut required. The allowable loads are 100% of the table load.
- Specify GHD for saddle-style hangers. GHD may not be skewed.

Codes: See p. 11 for Code Reference Key Chart

These products are available with additional corrosion protection. For more information, see p. 14.



Typical GH Installation



Typical GH Installation Skewed Right

Model No.	Girder	Dimensions (in.)					Fasteners (in.)	Allowable Downloads	Code Ref.
		W	L	H (2x Plate)	H (3x Plate)	S			
GH46-6	4x6	3 3/8	6	3 7/8	2 7/8	6 1/8	(4) 0.162 x 3 1/2	4,650	IBC, FL, LA
GH46-8	4x6	3 3/8	6	3 7/8	2 7/8	8 1/8	(4) 0.162 x 3 1/2	4,650	
GH48-6	4x8	3 3/8	6	5 5/8	4 5/8	6 1/8	(4) 0.162 x 3 1/2	4,650	
GH48-8	4x8	3 3/8	6	5 5/8	4 5/8	8 1/8	(4) 0.162 x 3 1/2	4,650	
GH410-6	4x10	3 3/8	6	7 5/8	6 5/8	6 1/8	(4) 0.162 x 3 1/2	4,650	
GH410-8	4x10	3 3/8	6	7 5/8	6 5/8	8 1/8	(4) 0.162 x 3 1/2	4,650	
GH66-6	6x6	5 1/2	8	3 7/8	2 7/8	6 1/8	(4) 0.162 x 3 1/2	4,650	
GH66-8	6x6	5 1/2	8	3 7/8	2 7/8	8 1/8	(4) 0.162 x 3 1/2	4,650	
GH68-6	6x8	5 1/2	8	5 7/8	4 5/8	6 1/8	(4) 0.162 x 3 1/2	4,650	
GH68-8	6x8	5 1/2	8	5 7/8	4 5/8	8 1/8	(4) 0.162 x 3 1/2	4,650	
GH610-6	6x10	5 1/2	8	7 5/8	6 5/8	6 1/8	(4) 0.162 x 3 1/2	4,650	
GH610-8	6x10	5 1/2	8	7 5/8	6 5/8	8 1/8	(4) 0.162 x 3 1/2	4,650	

1. Loads may not be increased for duration of load.
2. A mudsill on top of the GH is required to achieve the table loads.
3. Models listed are for a 2x plate; specify "H" dimension when ordering for use with a 3x plate.
4. Uplift loads do not apply for this connector.
5. **Fasteners:** Nail dimensions are listed diameter by length. See pp. 21–22 for fastener information.