

# IS

## Insulation Supports

The insulation supports are cut from carbon steel spring wire for optimum flexibility and strength. Mitered tips dig into the wood, securing itself and insulation when installed between joists.

**Material:** 14 gauge

**Finish:** None

**Installation:**

- Install between joists. IS16 for 16" o.c. spacing; IS24 for 24" o.c. spacing. Follow insulation manufacturer's installation instructions.
- Wear safety glasses, gloves and other appropriate safety equipment.

**Codes:** See p. 11 for Code Reference Key Chart



**IS16**  
(IS24 similar)



Typical IS Installation

Model No.	Diameter	Length (in.)	Joist Spacing	Code Ref.
IS16-R100	0.086	15½	16" o.c.	—
IS24-R100	0.091	23½	24" o.c.	

## CSC/FSS

### Ceiling Support Clip / Furring Stabilizer Strap

Provides 1" separation between the furring channel and joist to allow for the use of Thermafiber® insulation and the attachment of the furring channel to all joists. Provides an efficient sound barrier, and a one-hour UL-listed fire rating.

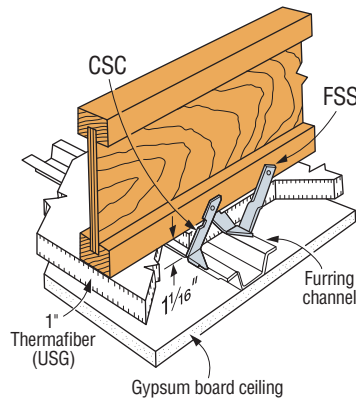
- UL-listed. See Underwriters Laboratory, Inc. Design No. L530 for USG gypsum board and Weyerhaeuser/TJI® joists.
- Check Evaluation Reports for individual I-joist manufacturer approvals.

**Material:** 24 gauge (minimum)

**Finish:** Galvanized

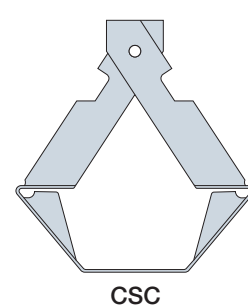
**Installation:**

- For CSC use (1) 0.131" x 1½" nail
- For FSS use #8 self-tapping steel screw (not provided) into channel, twist 90°, bend upward and fasten to the side of joist bottom flange with screw or nail

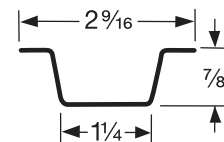


Typical CSC and FSS Installation

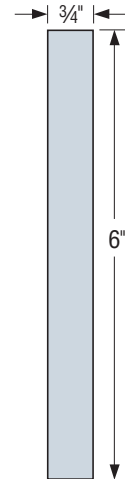
Thermafiber® and TJI® are registered trademarks of US Gypsum Company and Weyerhaeuser, respectively.



CSC



Furring Channel Detail



FSS  
(see Installation Notes)