

# MSTAM/MSTCM

## Strap Ties

MSTAM and MSTCM models are designed for wood-to-masonry applications.

The MSTC series has countersunk nail slots for a lower nailing profile.

**Finish:** Galvanized. Some products are available in stainless steel or ZMAX® coating. See Corrosion Information, pp. 12–15.

**Installation:**

- Use all specified fasteners; see General Notes
- Attaches to grouted concrete block and wood framing
- Minimum end and edge distance for **Titen Turbo™** screws is 1½"

**Codes:** See p. 11 for Code Reference Key Chart

These products are available with additional corrosion protection. For more information, see p. 14.

### Masonry and Concrete Applications

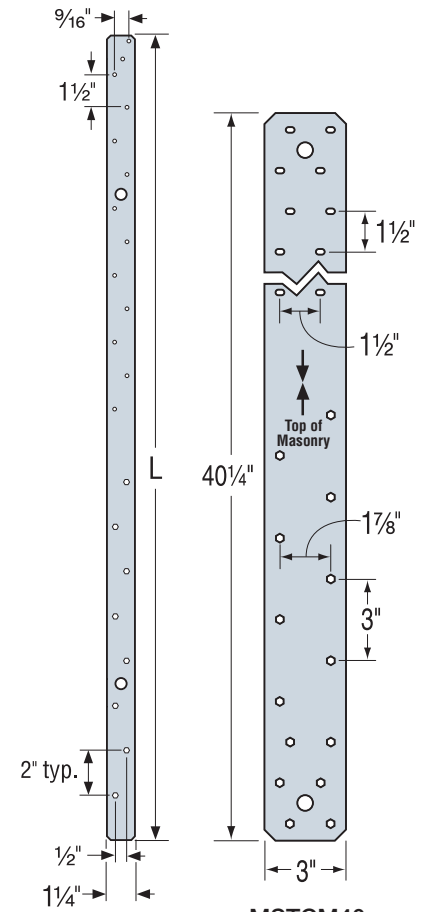
Model No.	Ga.	Dim. (in.)		Fasteners (in.)			Allowable Tension Load DF/SP/SPF/HF (160)		Code Ref.
		W	L	Nails	GFCMU Titen Turbo	Concrete Titen Turbo	GFCMU	Concrete	
MSTAM24	18	1¼	24	(9) 0.148 x 3	(5) ¼ x 2¼	(5) ¼ x 1¾	1,425	1,450	FL
MSTAM36	16	1¼	36	(13) 0.148 x 3	(8) ¼ x 2¼	(8) ¼ x 1¾	1,870	1,870	
MSTCM40	16	3	40¼	(26) 0.148 x 3¼	(14) ¼ x 2¼	(14) ¼ x 1¾	4,220	4,220	
MSTCM60	16	3	59½	(26) 0.148 x 3¼	(14) ¼ x 2¼	(14) ¼ x 1¾	4,220	4,220	

See footnotes below.

### Floor-to-Floor Clear Span Table

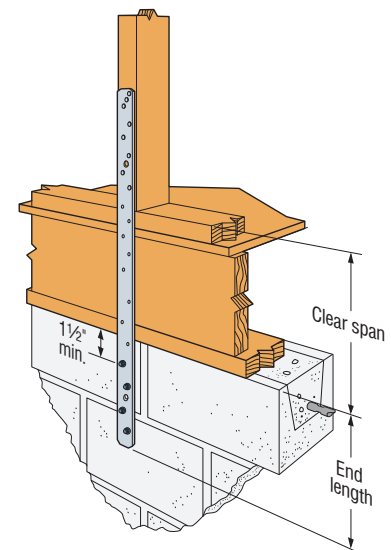
Model No.	End Length (in.)	Clear Span (in.)	Fasteners (Total) (in.)			Allowable Tension/Uplift Loads		Code Ref.
			Nails	GFCMU Titen Turbo	Concrete Titen Turbo	DF/SP (160)	SPF/HF (160)	
MSTAM36	8¾	16 or 18	(7) 0.148 x 3	(4) ¼ x 2¼	(4) ¼ x 1¾	1,140	1,140	—
MSTCM40	11½	16 or 18	(14) 0.148 x 3¼	(10) ¼ x 2¼	(10) ¼ x 1¾	2,500	2,325	
MSTCM60	17½	22¼	(26) 0.148 x 3¼	(14) ¼ x 2¼	(14) ¼ x 1¾	4,220	4,220	
MSTCM60	17½	26¼	(20) 0.148 x 3¼	(14) ¼ x 2¼	(14) ¼ x 1¾	3,840	3,320	

1. Loads have been increased for wind or earthquake loading, with no further increase allowed. Reduce where other loads govern.
2. Minimum edge distance for **Titen Turbo** screw is 1½".
3. Concrete shall have a minimum compressive strength of  $f'_c = 2,500$  psi.
4. Grout-filled CMU (GFCMU) shall have a minimum compressive strength of  $f'_m = 1,500$  psi.
5. Products shall be installed such that **Titen Turbo** screws are not exposed to the exterior environment.
6. See p. 353 for **Titen Turbo** screw information.
7. **Fasteners:** Nail dimensions are diameter by length. **Titen Turbo** screws are Simpson Strong-Tie concrete and masonry screws (hex-head model required). See pp. 21–22 for fastener information.

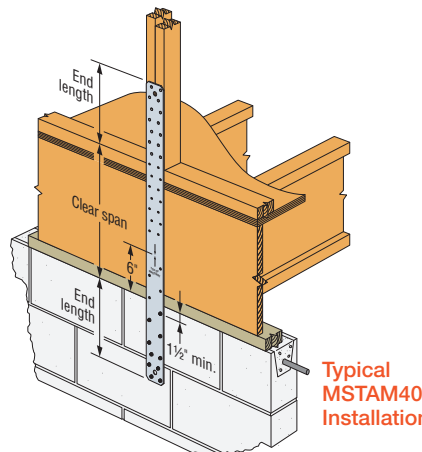


**MSTAM36**

**MSTCM40**  
(other MSTCM similar)



**Typical MSTAM36 Installation**



**Typical MSTAM40 Installation**