

# NS/PSPNZ

## Nail Stoppers

Nail stoppers help prevent nails from piercing pipes and electrical lines. Installed over utilities that pass through framing members.

PSPN516Z and PSPN58Z protecting shield plate nail stoppers meet IRC, IBC and the International Plumbing Code. PSPN516Z meets structural and protection requirements with one strap.

**Material:** NS — 14 gauge; PSPN — 16 gauge

**Finish:** Galvanized; PSPN — ZMAX® coating. See Corrosion Information, pp. 12–15.

**Installation:**

- PSPN516Z — 0.162" x 3½" nails (see footnote 2 below).
- Other models — 0.131" x 2½" nails or prongs.
- For more information refer to flier F-C-REPAIRPRO at [strongtie.com](http://strongtie.com).

**Codes:** See p. 11 for Code Reference Key Chart

**PSPN516Z at top plates**

- International Residential Code® — 2015/2018/2021 P2603.2.1, R602.6.1 and M1308.2
- International Building Code® — 2015/2018/2021 2308.5.8
- International Plumbing Code — 2015/2018/2021 305.6

**PSPN516Z at bottom plate.**

- International Building Code® — 2015/2018/2021 2308.5.8
- International Plumbing Code — 2015/2018/2021 305.6

**PSPN58Z at top plates and bottom plate.**

- International Plumbing Code — 2015/2018/2021 305.6
- International Residential Code® — 2015/2018/2021 P2603.2.1 and M1308.2

**NS1 and NS2 — Nail stops to protect supply lines from drywall nails or screws.**

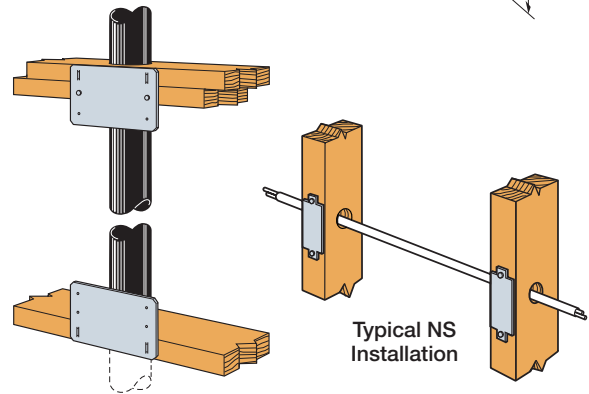
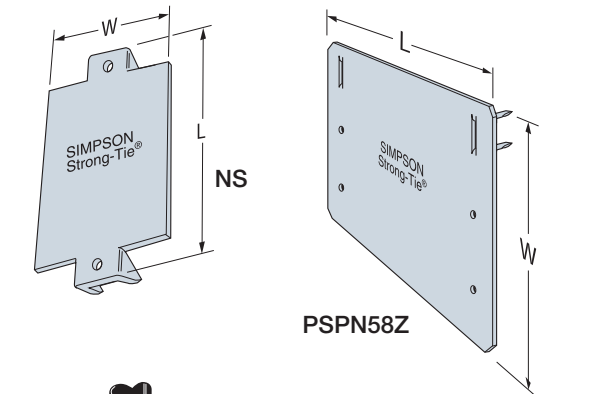
- International Residential Code® — 2015/2018/2021 M1308.2 and P2603.2.1
- National Electric Code — 2014/2017 300.4
- International Plumbing Code — 2015/2018/2021 305.6
- International Mechanical Code — 2015/2018/2021 305.5

These products are available with additional corrosion protection. For more information, see p. 14.

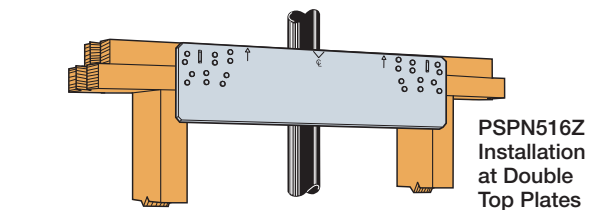
**SD** Many of these products are approved for installation with Strong-Drive® SD Connector screws. See pp. 348–352 for more information.

Model No.	W (in.)	L (in.)	Fasteners (Total)	Allowable Tension Load DF/SP	Allowable Tension Load SPF/HF	Code Ref.
			Nails (in.)	(160)	(160)	
PSPN58Z	5	8	—	—	—	PR
PSPN516Z	5	16½	(12) 0.162 x 3½	1,320	1,145	
			(16) 0.162 x 3½	1,760	1,530	
			(24) 0.162 x 3½	2,640	2,290	

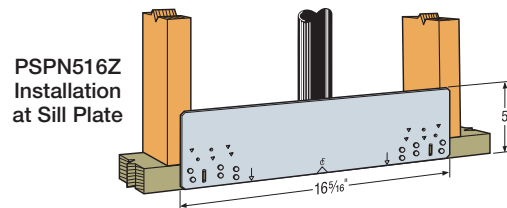
1. PSPN516Z sill plate installation requires (12) 0.162" x 3½" nails. Double top plate installation requires (16) or (24) 0.162" x 3½" nails.  
 2. To meet the prescriptive IBC requirement, 0.135" dia. x 3½" long nails may be used. Allowable tension load is 0.75 of table loads when installed with 0.135" dia. x 3½" nails. To meet the 2012–2021 IRC prescriptive requirement, 0.148" dia. x 1½" long nails may be used.



Typical NS Installation



PSPN516Z Installation at Double Top Plates



PSPN516Z Installation at Sill Plate

Model No.	W (in.)	L (in.)	Code Ref.
NS1	1½	3	PR
NS2	1½	6	