

# LTA2, S/HGAM10 and H10S Seismic and Hurricane Ties

The LTA2 develops high uplift at a minimum heel height. Great in areas where a strap over the heel is not required. The side tab acts as a locator in the masonry block and the four embedded hooks provide for a positive bond in the concrete grout.

The H10S and the S/HGAM10 attaches to truss joist and provides good uplift resistance.

**Material:** See table

**Finish:** Galvanized (G90)

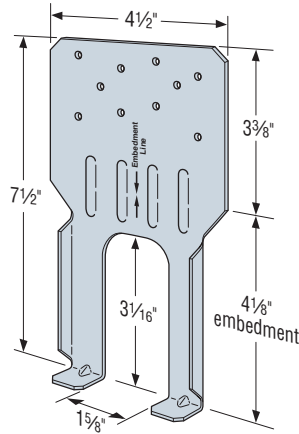
**Installation:**

- Use all specified fasteners; see General Notes.
- S/HGAM10 can be installed into grouted concrete block.
- Titen® 2 screws are provided.
- Hurricane ties do not replace solid blocking.
- Attach to grouted concrete block with a minimum one #5 rebar horizontal in the top lintel block.

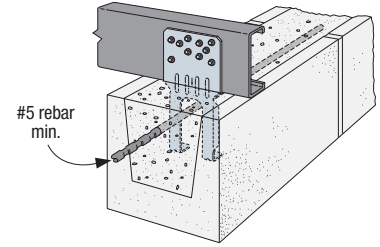
**Codes:** See p. 11 for Code Reference Key Chart

**Ordering Information:**

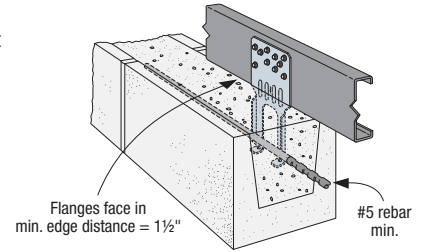
- The HGAM10KT is a kit of (10) connectors with (40) 1/4" x 2 3/4" Titen 2 screws.



**LTA2**  
US Patent 6,560,943



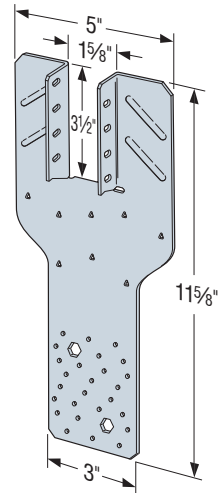
**Typical LTA2 Installation**  
(perpendicular to wall)



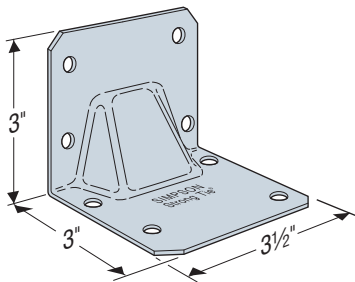
**Typical LTA2 Installation**  
(parallel to wall)

Model No.	Connector Material Thickness mil (ga.)	Fasteners <sup>5</sup>			Allowable Uplift Load (lb.)		Code Ref.
		To Rafter/ Truss <sup>3</sup>	To CMU	To Concrete	33 mil (20 ga.)	43 mil (18 ga.)	
LTA2 perpendicular-to-wall installation	43 (18)	(10) #10	Embed	Embed	1,295	1,425	—
LTA2 parallel-to-wall installation	43 (18)	(10) #10	Embed	Embed	1,295	1,390	
S/HGAM10KT	68 (14)	(4) #14	(4) 1/4" x 2 3/4" Titen 2	(4) 1/4" x 1 3/4" Titen 2	810	850	IBC, FL, LA
H10S	43 (18)	(8) #10	(2) 3/8" x 4" Titen HD	(2) 3/8" x 4" Titen HD	915	1,245	

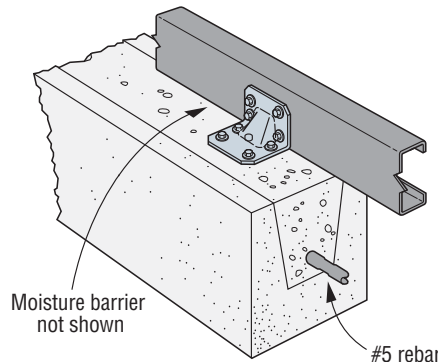
1. Min.  $f_m = 1,500$  psi and  $f_c = 2,500$  psi.
2. Minimum edge distance is 1 1/2" for Titen® 2 screws.
3. The products shall be installed such that the Titen 2 screws and Titen HD® anchors are not exposed to the weather.
4. Visit [strongtie.com](http://strongtie.com) for Titen 2 screw and Titen HD information.
5. See *Fastening Systems* catalog (C-F-2019) on [strongtie.com](http://strongtie.com) for more information on Simpson Strong-Tie fasteners.



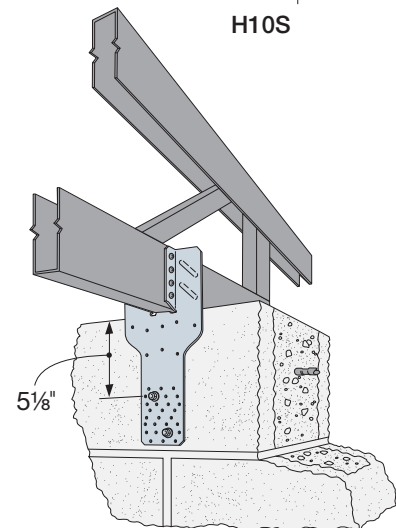
**H10S**



**S/HGAM10**



**Typical S/HGAM10 Installation**



**H10S Installation**