

# BOLT<sup>TM</sup>HOLD™ SP10-38 Asphalt Anchors

## Datasheet V4.1 6/24/2022

### Overview

Asphalt Anchors Corp. has developed the **BoltHold™** family of anchors suitable for mounting objects to asphalt surfaces. The SP10-38 anchors body is 6" long and 3/8" in diameter, with a 3/8"-16 female thread. The anchor is bonded to the asphalt using special grouts such as our EPX2 or EPX3.

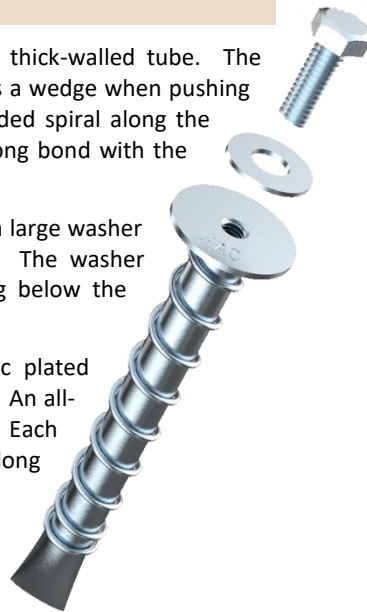
The SP10-38 is recommended for most light applications, where pull forces are less than 1,500 lb. per anchor and shear forces are moderate (less than 1,000 lb. per anchor).

### Description

The SP10-38 is constructed from a thick-walled tube. The bottom is flared and sealed to act as a wedge when pushing the anchor into the ground. A welded spiral along the length of the anchor provides a strong bond with the grout.

The top of the anchor incorporates a large washer with an internal 3/8" female thread. The washer prevents the anchor from dropping below the surface.

The standard SP10 is made of zinc plated steel, with 10-hour salt spray rating. An all-stainless-steel version is available. Each anchor is preinstalled with a 1" long grade 5 hex bolt and a 1" washer.



### Force Rating

The resistance of the installed anchors to extraction depends on the nature of the asphalt and the gravel below it. The SP10-38 is pull-rated for 1,500 lb.(6.7kN) when installed with the EPX2 or EPX3 grouts (see note 1). At ground level, the anchor can resist 1,000 lb. of shear force. The anchor is rated for 200 in-lb. rotary torque; this torque is exerted when tightening the attaching bolt.

To find out if an anchor is suitable for your application, the safe way is to make a test installation. You will be able to leave the anchors in place after the test without the need to remove them as they are flush with the roadway surface.

Note 1: When installing anchors close together, derate the pull strength of additional anchors by 6% for every 1 inch less than 12. For example, 4 SP10 arranged 4" apart will resist a total pull force of 3,840 lb. (1,500 + 3 x (52% x 1500)). Use our [online calculator](https://aac.fti/GroupCalc) (https://aac.fti/GroupCalc) to arrive at the total pull resistance for a group of anchors. The calculator also takes into consideration the thickness of the asphalt layer.

### About Asphalt

Asphalt is 20 times weaker than concrete. Asphalt flows under pressure over time and thus cannot support expansion-type wedge anchors that are so effective in concrete. BoltHold anchors use a stress-free bond between the anchors and the asphalt, assuring long term stability.

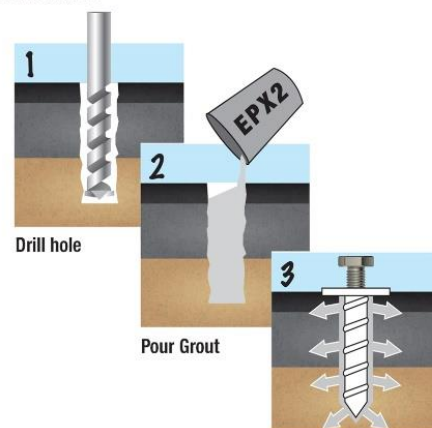
The length of the anchor serves to increase the shear resistance by embedding the anchor in the compacted gravel below the asphalt layer.

### Installation

The installation requires drilling a 3/8", 6" deep hole into the asphalt and the gravel below it. The hole is then filled with grout and the anchor is dropped in. The anchor is ready for use in 15-45 minutes depending on the grout and ambient temperature. Below 45°F use our EPX3 resin grout.

Always consult the latest [online installation instructions](https://aac.fyi/Guide) (https://aac.fyi/Guide) before installing these anchors. This comprehensive installation manual is updated regularly to reflect the availability of grouts, new installation techniques and user feedback.

### Installation



1. Drill a hole per anchor specs
2. Fill hole with EPX2 grout
3. Push anchor in flush with surface.
4. Wait 15 minutes and attach object to anchor.

# BOLTHOLD™ SP10-38 Asphalt Anchors

## Datasheet V4.1 6/24/2022

### Grout Selection

The term “grout” is used here in a broad meaning; the actual materials can be expanding cement or certain 2-part hard epoxies. We offer our tested EPX2 cement and EPX3 resin (epoxy) grouts. **This grout is not to be confused with tile grouts.**

In general, the anchoring grout must be self-leveling (meaning that it flows easily, to fill in all the crevices and voids). It must cure to a hard material and must be immune to extended exposure to water and temperature fluctuations. **Do not use Kwikset or Rockite.**

You will need about 2 Fluid oz (1/4 cup) or 60 cc of grout per anchor. Our EPX2 resealable bag supplies 4-5 anchors. The EPX2 10 lb. tubs supply 55-60 anchors. Our EPX3 single-cartridge epoxy tube covers 4-5 SP10 anchors.

### Packing

The BoltHold SP10-38 anchors are packaged 6 anchors to a “Set” carton. 9 Sets are packaged in a Master carton which holds 54 anchors.

KIT PACKING INFORMATION	
Anchors per Set	6
Set Carton dimensions, mm	106 x 186 x 53
Set Carton dimensions, inch	4.2” x 7.3 x 2.1
Set Carton weight	2.5 lb./ 1.14 Kg
Set Carton Volume	0.001 CBM
Number of anchors per Master	54
Master Carton dimensions, mm	200 x 340 x 191
Master Carton dimensions, inch	7.8 x 13.4 x 7.5
Master Carton Gross Weight	20 lb. / 9 Kg
Master carton Volume	0.013 CBM

### Tariffs

The SP10-38 are shipped under schedule 55. HTS code (export) 7318.19.0000

### Links

[Installation Manual](#)

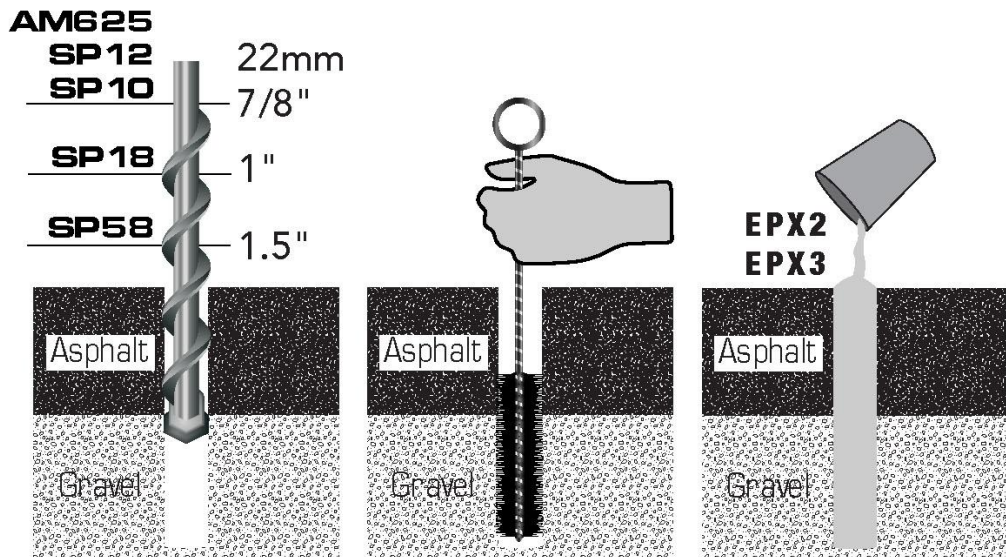
[Prices and Discounts](#)

Anchor Metrics	
Anchor Length	6” (150 mm)
Anchor body diameter	5/8” (18 mm)
Anchor head diameter	1.35” (43 mm)
Washer thickness	0.08” (2 mm)
Anchor weight	0.2 lb. (0.1 Kg)
Internal Thread	3/8”-16 UNC
Bolt allowed depth	4” (100 mm)
Finish SP10-38	Zinc plating
Finish SP10-38S stainless	SS 304
Pull resistance	1,500 lb.
Shear Resistance	1,000 lb.
Torque rating	200 lb.-in
Grout volume required	60cc (2 FL oz)
SP10 per EPX2 bag/Tub	4-5 / 50-60
<b>SP10-38 Zinc steel6-pack SKU</b>	<b>01-6310.38K</b>
<b>SP10-38 stainless 6-pack SKU</b>	<b>01-6310.3SK</b>



# BOLTHOLD™

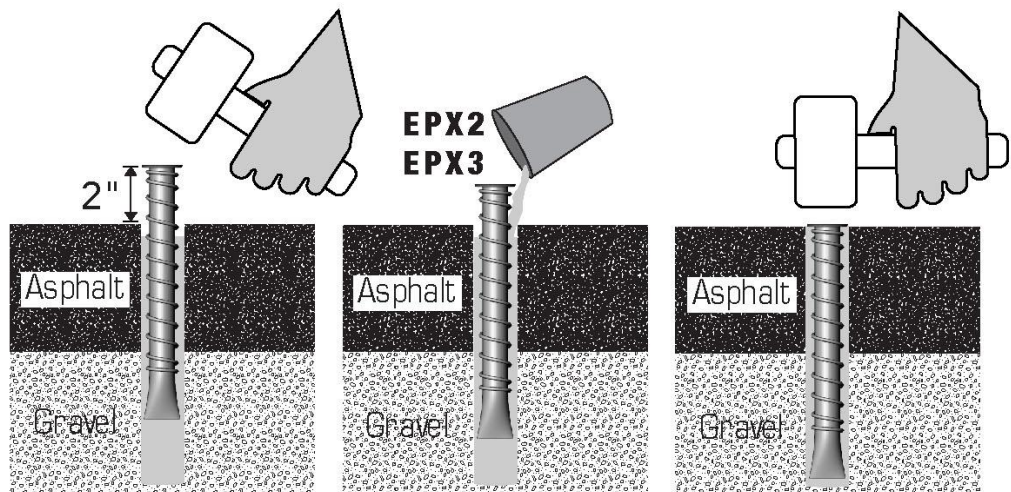
## Anchor Installation manual V8.2



1. Drill

2. Brush

3. Pour

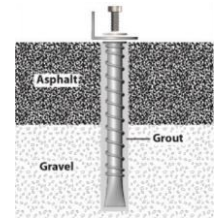


4. Hammer

5. Top Up

6. Flush

**BoltHold™** is a family of anchors specifically designed for anchoring to asphalt. The anchors are suitable for attaching objects and structures to asphalt. This document provides instructions and a guide for the installation of our line of anchors. Updated information on anchor installation, as well as application-specific calculators, can be found on our web site [asphaltanchors.com](http://asphaltanchors.com)



Please review [AN62](#) for recommendations for site preparation, view [AN36](#) for cold weather handling and [AN65](#) for hot weather handling.

## STATIC VS. DYNAMIC STRESS

Asphalt “flows” under *continuous* pull stress. Asphalt is, however, very resilient when subjected to short duration forces. Expansion anchors, which depend on pressure against the walls and work well in concrete, will loosen quickly when used in asphalt. BoltHold anchors, however, use an **adhesive** (also referred to as “**grout**”) to bind with the asphalt in a stress-free bond and will therefore hold fast for many years. *Please note that this adhesive grout has nothing in common with tile grout.*

When considering securing a structure using the BoltHold anchors, review how stable the object is without the effects of wind, ice or snow. If the structure stands solidly on its own, you may load the anchors at 80% of their pull rating. If the object will apply a static pull force on the anchors just as it stands, limit the load on the anchors to 20% of the pull rating.

## PULL RATING

See online [calculator](#)  
<https://aac.fyi/GroupCalc>

Ratings are based on a minimum distance of 12” between anchors. If the distance is less than 12”, de-rate the pull force of all but the first anchor by 6% for every inch less than 12”<sup>2</sup>. Ratings are based on asphalt thickness of 2½”. For heavier asphalt, increase the allowed forces proportionately<sup>3</sup>.

	SP10 / AM625	SP12	SP18	SP58
<b>Rated Pull, lbs.</b>	1,500	2,000	2,500	<sup>1</sup> 5,000
<b>Bolt Torque lb-in</b>	200	200	280	720
<b>Drill Depth</b>	6”	12”	12”	10”
<b>Drill diameter</b>	7/8”	7/8”	1”	1.5”
<b>Drill Part Number</b>	83-1002	83-1002	83-1003	n/a
<b>Anchors per EPX2 bag</b>	3-4	2	1.5	0.8
<b>Anchors per EPX2 tub</b>	60	30	15	10
<b>Anchors per EPX3 cartridge</b>	4.5	2.7	1.4	1
<b>Adhesive required, mL (cc)</b>	60	120	150	290

Table 1

<sup>1</sup> This anchor is specified at 3” asphalt thickness.

<sup>2</sup> An example for derating due to proximity of anchors: 4 anchors are installed 5” apart. The force capacity for the 2<sup>nd</sup> 3<sup>rd</sup> and 4<sup>th</sup> anchors is derated by (12-5) x 0.06 = 42%. See de-rating calculator [asphaltanchors.com/calculators](http://asphaltanchors.com/calculators).

<sup>3</sup> An example for calculating the effect of asphalt thickness: 3” asphalt will increase the anchor’s force capacity to 3/2.5 = 1.20. Thus, SP10 rated at 1,500lbs. will handle 1,800 lbs. See Group calculator [asphaltanchors.com/calculators](http://asphaltanchors.com/calculators).

## BOLT LENGTH

The minimum required thread *inside* the anchors is 5 turns of the bolt or 0.75". The maximum is the length of the anchor less 2". There is no strength benefit in having more than 0.75" of thread inside the anchor.

## ADHESIVE SELECTION

The adhesive binds the anchors on the one hand and bonds with the asphalt on the other hand. Suitable materials are expanding cement or low shrink epoxy. The adhesive must be self-leveling (meaning that it flows easily, to fill in crevices and voids). It must cure to a hard material. The cured adhesive must be immune to extended exposure to water. The amount of adhesive required depends on the model of the anchor you selected. See Table 1.

### EPX2 BAG

### EPX2 TUB

The most cost-effective anchoring results are achieved using our EPX2, an expanding anchoring cement. The EPX2 is packaged either in bags or in a large tub. The bags hold 12oz (P/N 82-5002.K for a six-pack). The re-sealable bags allow adding water, kneading the mixture, then pouring it. The EPX2 is also available in 10 lbs. tubs at a lower cost (P/N 82-5002.010).



### EPX3 Cartridge



Our EPX3 epoxy (a 2-part acrylic resin) is packaged in a single cartridge compatible with caulk guns<sup>4</sup>. We recommend high-thrust (>26:1) guns such as our [CG40](#). The EPX3 can be applied at temperatures as low as 14°F (see footnote<sup>5</sup> on next page) and offers the convenience of cartridge application requiring no manual mixing.

## OTHER

Our ratings of the anchors are based on tests that we have run with the EPX2 and EPX3. Your results and the reliability of the installation using other grouts may vary. Do not use Rocktite or Kwixset as the cured product is water soluble.

## REQUIRED SUPPLIES

Before starting the installation, make sure that you have the following items:

1. Adhesive in quantity per table 1
2. If the object that you are attaching is thicker than 3/8", procure the required bolts<sup>6</sup>. Otherwise, the bolts provided with the anchors will do.
3. If you provide your own bolts, you will need Permatex anti-seize paste to facilitate removal of the bolts in the future. #80078 for steel anchors, #77124 for stainless steel anchors.



<sup>4</sup> Due to the force required to squeeze the epoxy we recommend using a hi-thrust caulk gun. See the [EPX3 datasheet](#).

<sup>5</sup> Extra caution is advised when working at temperatures below freezing as the normally porous asphalt may be frozen and the grout will not be able to grab its crevices. The result will be a much weaker installation.

<sup>6</sup> Length of bolt equals thickness of object plus thickness of washer plus 0.75", rounded up.

4. Masonry drill bit per Table 1
5. Tools — hammer-drill, mallet, wrench for bolts, vacuum cleaner or blower or broom, nylon tube brush.
6. 3 plastic containers and mixing sticks (EPX2 only)
7. Caulk gun if using the EPX3.



## FOR REALLY FLUSH INSTALLATION

The head of the anchor is about 0.080" (2mm) high. That only presents a problem if the attached object is removed for the winter for snow plowing, as some snowplows may snag the head of the anchor. The asphalt may be compacted to accommodate the entire head of the anchor using our Flattener tool (P/N 01-6390). The tool is placed in the hole *before* any adhesive is applied and hammered in to compact the area below the head. The tool is not suitable for the SP58 anchors. **Do not use the tool on an installed anchor.**



## DIRECTIONS

The directions that follow apply to the use of the EPX2 in bag or tub, and for the use of the EPX3. Sections specifically for the EPX3 are shaded to separate them from the EPX2.

### EPX2 USE

The original mixing instructions for the EPX2 were based on adding water to a measured volume of EPX2 powder. The shortcoming of that method is that the mixture switches abruptly from powder to liquid.

We found that adding powder to water allows for a controlled increase in the mixture's density. The instructions below have been rewritten to follow this method.

Old labels on EPX2 bags may show the add-water-to-powder.

1. Prior to the activation of the adhesive, make sure that you have the anchors on hand. Do not separate the bolts from the anchors.
2. Note that the EPX2 and EPX3 are fast curing; you have less than 10 minutes handling time for the EPX2 and 20' for the EPX3.
  - a. At elevated temperatures (above 85F), the pot life becomes very short (single minutes). See AN65 for solutions before proceeding with the installation.
  - b. At low temperatures (below 45F) the EPX2 may not cure. See AN36 for solutions
3. We recommend that you drill and clean all the holes first, then proceed with applying the adhesive.
4. Drill the holes in the diameter and length per table 1. If you use a larger drill diameter or drill deeper than specified, you will need more adhesive.

5. Use compressed air or a blower to clean the drilled dust from around the hole, then thoroughly clean the hole of any internal dust. Wear goggles for safety.
6. Using a nylon tube brush (such as our part number 46-3001), clean the hole's first 4-6 inches with an up/down motion while pressing against the walls. Tap the brush after every few strokes to clear it from dust. It is essential that all the dust be removed and that the walls of the hole have been slightly roughed up. It may require 4 separate passes to get all the dust out.
7. Blow the area clean again.
8. Pour a pre-measured volume of water into the mixing container. We recommend mixing enough material for 4 holes; if less, the quantities of the grout and water become small and harder to measure. Use the table below to estimate the water and adhesive volumes:



Anchor	Water Volume, for 4 anchors		EPX2 Volume, for 4 anchors		EPX2 bags for 4 anchors
	CUPS	Fl. Oz.	CUPS	Fl. Oz.	# Bags
SP10	0.5	3.8	1.2	9.4	0.9
SP12	0.6	4.9	1.6	12.4	1.2
SP18	1.6	12.8	4	32.0	3.2
SP58	2.3	18.1	5.7	45.3	4.3
AM625	0.5	3.8	1.2	9.4	0.9

9. Slowly add the EPX2 powder and stir continuously. There is variability in the required amount, depending on the water content of the adhesive. The end consistency of the mixture should be syrup-like. Note that the transition from liquid to solid is quite abrupt, so add the powder slowly. Aim at a consistency as shown in the picture on the right.



10. If the consistency is too thin, the adhesive will require much longer to cure and may not reach full strength. If too much adhesive was applied, there will be lumps in the mixture and it will clog the top of the hole and the adhesive will not flow to the full length of the hole. The pull resistance will be severely reduced.
11. If more water is required, add one tablespoon at a time.
12. Slowly pour the mixture into the hole.
13. Make sure that the adhesive fills the hole from the bottom to the very top of the hole, even a little above it. Failure to fill to the top will greatly weaken the bond between the anchor and the asphalt. To eliminate air pockets, prod the adhesive with a thin tool such as a chopstick.

## EPX3 DIRECTIONS

[See EPX3 datasheet](#)

1. **EPX3 USER:** Place the EPX3 cartridge in a single cartridge caulk gun. Remove the protective nut at the top of the cartridge. There is no need to puncture the opening as in most cartridges.
2. Attach the supplied mixing nozzle to the threaded front of the cartridge.
3. Pump a full length of the nozzle so that the mix coming out of the nozzle is uniformly gray. Discard this mix. Do not use this mix in the hole.
4. Proceed to fill the hole with the mixture, starting with the nozzle deep in the hole and slowly retracting the nozzle as the hole fills. This assures that the epoxy will reach the full length of the anchor. Prodding the adhesive with the tip of the nozzle will collapse air pockets.
5. Make sure that the adhesive reaches the very top of the hole, even a little above it. Failure to fill to the top will greatly weaken the bond between the anchor and the asphalt.

## INSERT ANCHOR

1. Push the anchor into the hole with a slow down-up motion so that the entire length of the anchor will be wetted by the mixture. When the anchor head is about 2" from the asphalt, inspect the level of the adhesive in the hole. If the level is below the surface, top up the adhesive without pulling out the anchor.
2. Push the anchor in until its head is flush with the surface. You may need to use the mallet to force the anchor to seat all the way, because the gravel/soil at the bottom tends to close on itself.
3. Immediately wet-clean the area around the anchor to remove unsightly adhesive before it cures. Alternately, scrape the excess using a trowel or a piece of cardboard.
4. The time for cure is about 15 minutes at 75°F. The time for full cure is 1 hour. Wait 2 hours before exerting a pull load or a heavy torque on the anchors. For pull tests (to failure) wait 24 hours.
5. If the EPX2 adhesive fails to start curing due to low temperatures (45F and below), use a blow torch to gently heat the inserted anchor. That will usually get the curing process to start.



## ATTACH OBJECT

1. Remove the bolt and washer from the anchor (can be done after 15 minutes at 75F or higher).
2. If you use your own bolt, apply a small amount of Permatex paste along the thread (one side is enough). Use Permatex 80078 for steel anchors, use Permatex 77124 for Stainless Steel anchors.
3. Making sure that the plate to be attached is flat and in contact with the head of the anchor, align the holes in the plate with the anchors.
4. Insert the washer and the bolt and tighten. Do not exceed the torque allowed in Table 1. **Do not use an impact wrench.**





## EPX2 WARNINGS



- Mixed with water but not yet cured, the adhesive is caustic and can cause burns to eye and skin.
- Prevent aluminum from coming in contact for a lengthy period with the installed EPX2 adhesive. No such precaution is necessary for the EPX3.
- Do not use the EPX2 with Dacromet or similar coating that contains aluminum.
- Use of the EPX2 at temperatures lower than 45F is not recommended due to the slowed curing process.

## CALCULATORS

Our website offers 6 useful calculators that will save you time and will recommend the least-cost anchors for your application. You can find the calculators at [asphaltanchors.com/Calculators](http://asphaltanchors.com/Calculators).

- The **Grout** calculator computes the required amount of adhesive for the selected number of anchors of any one anchor model.
- The **Group** calculator provides the rated pull resistance of a group of anchors installed close to each other, in asphalt of specified thickness.
- The **Fence** calculator suggests the number and model of anchors to secure surface-mounted fence posts to asphalt.
- The **Sign** calculator suggests the number and model of anchors to secure a surface-mounted signpost to asphalt.
- The **Carport** calculator suggests the number and model of anchors to secure surface-mounted carport posts to asphalt.
- The **Shed** calculator is like the carport calculator except that it supports walls on all sides.

## ANCHOR REMOVAL

Sometimes an installed anchor needs to be removed. The best time to do so is immediately after installation, before the adhesive is fully cured. That is usually within 15-60 minutes of pouring the adhesive.

The recommended method is to use a socket or wrench and over-tighten the bolt to the point where the entire anchor will rotate and break away from the adhesive that surrounds it. Once the anchor rotates in the asphalt, try and rotate it counterclockwise and it may thread itself out. If that does not work, use two large flat screwdrivers or a nail puller under the anchor's head to extract it.

Removing the anchor this way allows you to reinstall an anchor in the same hole. If the adhesive is already fully cured, the over-tightening method may result in the head of the anchor breaking off the body of the anchor. In that case, you can use a suitable metal drill and drill out the body of the anchor.