

TJC

Jack Truss Connector

TJC is a versatile connector for jack trusses. Adjustable from 0 to 85 degree (shipped with 67.5 degree bend). Nail hole locations allow for easy installation. Minimum nailing option on TJC37 provides faster installation and lower installed cost.

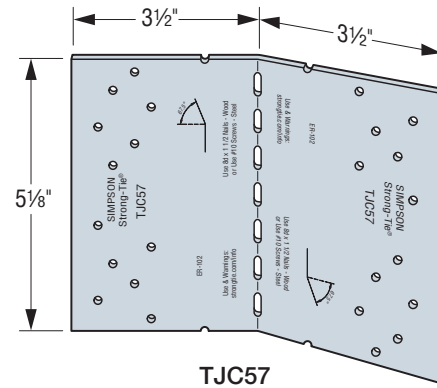
Material: 16 gauge

Finish: Galvanized

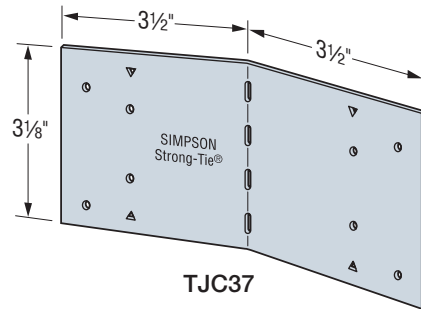
Installation:

- Use all specified fasteners; see General Notes.
- TJC37 can be installed filling round holes only, or filling round and triangle holes for maximum values.
- To reduce the potential for splitting, install the TJC with a minimum 3/16" edge distance on the chord members.
- Position the jack truss on the inside of the bend line with the end of the jack truss flush with the bend line.
- Bend the TJC to the desired position (one bend cycle only).
- No bevel cut required.
- Attachment of TJC to the top chord requires the designer to check connection geometry for placement on both carried and carrying chord members. See Top Chord Member Sizes table on p. 209 for suggested chord sizes.
- Supported jack member is a single 2x.

Codes: See p. 11 for Code Reference Key Chart



TJC57



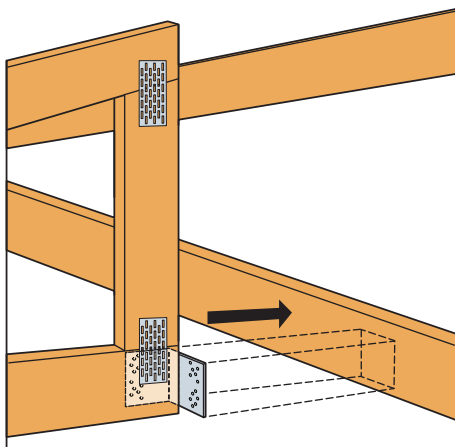
TJC37

Plated Truss Connectors

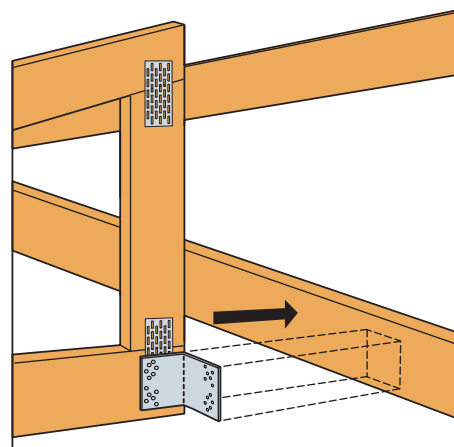
Standard Installation

Model No.	Fasteners (in.)		Allowable Loads								Code Ref.
	Carrying Member	Carried Member	DF/SP				SPF/HF				
			0°	1°–60°	61°–67.5°	68°–85°	0°	1°–60°	61°–67.5°	68°–85°	
TJC37 (Min.)	(4) 0.131 x 1 1/2	(4) 0.131 x 1 1/2	340	265	305	250	290	230	260	215	IBC, FL, LA
TJC37 (Max.)	(6) 0.131 x 1 1/2	(6) 0.131 x 1 1/2	510	425	375	375	440	365	325	325	
TJC57	(12) 0.131 x 1 1/2	(12) 0.131 x 1 1/2	825	785	750	750	710	675	645	645	
	(12) #9 x 1 1/2" SD	(12) #9 x 1 1/2" SD	1,120	985	995	985	965	845	855	845	

See footnotes on p. 209.



Typical TJC57 Standard Installation
(TJC37 similar)



Typical TJC57 Alternate Installation
(TJC37 similar)

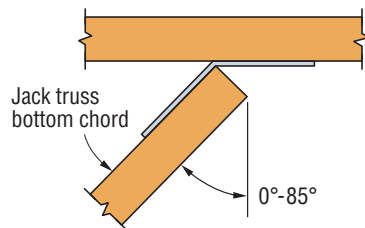
TJC

Jack Truss Connector (cont.)

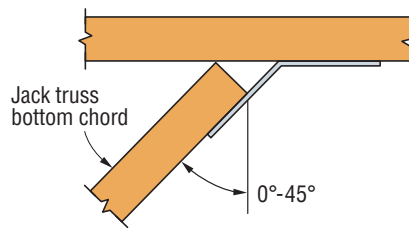
Alternate Installation

Model No.	Fasteners (in.)		Allowable Loads			
	Carrying Member	Carried Member	DF/SP		SPF/HF	
			0°	1°–45°	0°	1°–45°
TJC37 (Alt. min.)	(4) 0.131 x 1 ½	(4) 0.131 x 1 ½	255	225	220	195
TJC37 (Alt. max.)	(6) 0.131 x 1 ½	(6) 0.131 x 1 ½	435	365	375	310
TJC57 (Alt.)	(12) 0.131 x 1 ½	(12) 0.131 x 1 ½	785	740	675	635

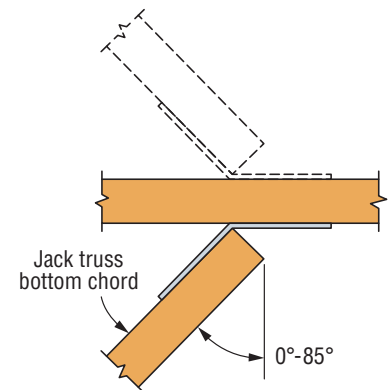
1. Loads may not be increased for duration of load.
2. Allowable loads are for upward or downward direction.
3. TJC37 and TJC57 require single-ply carried members with minimum 2x4 and 2x6 chord members, respectively.
4. For back-to-back installation on a single-ply girder/hip member, use a 0.70 reduction of table loads.
5. **Fasteners:** Nail dimensions are listed diameter by length. SD screws are Simpson Strong-Tie® Strong-Drive® SD Connector screws. See pp. 21–22 for fastener information.



Standard Installation
Top View



Alternate Installation
Top View



For back-to-back
installation, see footnote 4.

Top Chord Member Sizes

Part	Pitch		
	≤ 3:12	≤ 7:12	≤ 12:12
TJC37	2x6	2x6	2x8
TJC57	2x8	2x8	2x10

TJC Jack Truss and Rafter Connector

TJC is a versatile connector for skewed members. Adjustable from 0° to 67.5° (shipped with 67.5° bend). Screw hole locations allow for easy installation.

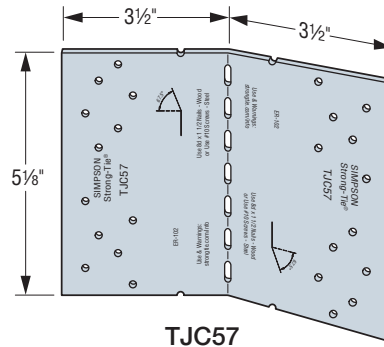
Material: 54 mil (16 ga.)

Finish: Galvanized (G90)

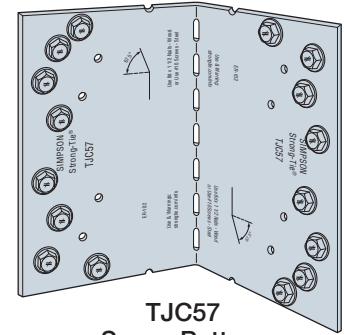
Installation:

- Use all specified fasteners; see General Notes
- Position the skewed member on the inside of the bend line with the end of the member flush with the bend line
- Bend the TJC to the desired position (one bend cycle only)

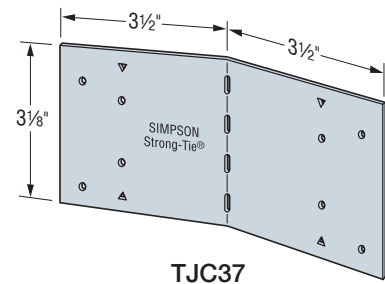
Codes: See p. 11 for Code Reference Key Chart



TJC57



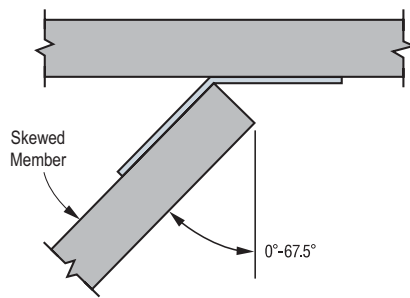
TJC57
Screw Pattern



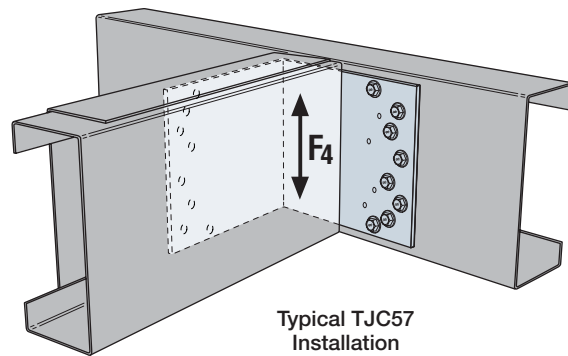
TJC37

Model No.	Fasteners ²		Member Thickness mil (ga.)	Allowable Load F ₄ (lb.)			Code Ref.
	Carrying Member	Carried Member		0°	1°–60°	61°–67.5°	
TJC37 (min.)	(4) #10	(4) #10	43 (18)	660	565	475	IBC, FL, LA
TJC37 (max.)	(6) #10	(6) #10	43 (18)	680	630	530	
TJC57 (min.)	(8) #10	(8) #10	43 (18)	1,295	1,215	1,235	—
TJC57 (max.)	(8) #10	(8) #10	54 (16)	1,790	1,790	1,790	

1. Reference the illustration for the required screw pattern of the TJC57.
2. See *Fastening Systems* catalog (C-F-2019) on strongtie.com for more information on Simpson Strong-Tie fasteners.



Top View Installation



Typical TJC57 Installation