

# Titen HD® Heavy-Duty Screw Anchor



## Titen HD Installation Information and Additional Data<sup>1</sup>

Characteristic	Symbol	Units	Nominal Anchor Diameter, $d_a$ (in.)											
			1/4		3/8		1/2		5/8		3/4			
<b>Installation Information</b>														
Drill Bit Diameter	$d_{bit}$	in.	1/4		3/8		1/2		5/8		3/4			
Baseplate Clearance Hole Diameter	$d_c$	in.	3/8		1/2		5/8		3/4		7/8			
Maximum Installation Torque	$T_{inst,max}$	ft.-lbf	24 <sup>2</sup>		50 <sup>2</sup>		65 <sup>2</sup>		100 <sup>2</sup>		150 <sup>2</sup>			
Maximum Impact Wrench Torque Rating	$T_{impact,max}$	ft.-lbf	125 <sup>3</sup>		150 <sup>3</sup>		340 <sup>3</sup>		340 <sup>3</sup>		385 <sup>3</sup>			
Minimum Hole Depth	$h_{hole}$	in.	1 3/4	2 5/8	2 3/4	3 1/2	3 3/4	4 1/2	4 1/2	6	4 1/2	6	6 3/4	
Nominal Embedment Depth	$h_{nom}$	in.	1 5/8	2 1/2	2 1/2	3 1/4	3 1/4	4	4	5 1/2	4	5 1/2	6 1/4	
Critical Edge Distance	$c_{ac}$	in.	3	6	2 11/16	3 5/8	3 9/16	4 1/2	4 1/2	6 3/8	6	6 3/8	7 5/16	
Minimum Edge Distance	$c_{min}$	in.	1 1/2		1 3/4									
Minimum Spacing	$s_{min}$	in.	1 1/2		3					2 3/4	3			
Minimum Concrete Thickness	$h_{min}$	in.	3 1/4	3 1/2	4	5	5	6 1/4	6	8 1/2	6	8 3/4	10	
<b>Additional Data</b>														
Anchor Category	Category	—	1											
Yield Strength	$f_{ya}$	psi	100,000				97,000							
Tensile Strength	$f_{uta}$	psi	125,000				110,000							
Minimum Tensile and Shear Stress Area	$A_{se}$	in <sup>2</sup>	0.042		0.099		0.183		0.276		0.414			
Axial Stiffness in Service Load Range — Uncracked Concrete	$\beta_{uncr}$	lb./in.	202,000				672,000							
Axial Stiffness in Service Load Range — Cracked Concrete	$\beta_{cr}$	lb./in.	173,000				345,000							

1. The information presented in this table is to be used in conjunction with the design criteria of ACI 318-19 Chapter 17, ACI 318-14 Chapter 17 and ACI 318-11 Appendix D.

2.  $T_{inst,max}$  is the maximum permitted installation torque for the embedment depth range covered by this table using a torque wrench.

3.  $T_{impact,max}$  is the maximum permitted torque rating for impact wrenches for the embedment depth range covered by this table.

\*See p. 14 for an explanation of the load table icons.

## Titen HD® Design Information — Concrete

Titen HD Tension Strength Design Data<sup>1</sup>

Characteristic	Symbol	Units	Nominal Anchor Diameter, $d_a$ (in.)										
			1/4		3/8		1/2		5/8		3/4		
Nominal Embedment Depth	$h_{nom}$	in.	1 5/8	2 1/2	2 1/2	3 1/4	3 1/4	4	4	5 1/2	4	5 1/2	6 1/4
<b>Steel Strength in Tension — ACI 318-19 17.6.1, ACI 318-14 17.4.1 or ACI 318-11 Section D.5.1</b>													
Tension Resistance of Steel	$N_{sa}$	lb.	5,195		10,890		20,130		30,360		45,540		
Strength Reduction Factor — Steel Failure <sup>2</sup>	$\phi_{sa}$	—	0.65										
<b>Concrete Breakout Strength in Tension<sup>6</sup> — ACI 318-19 17.6.2, ACI 318-14 17.4.2 or ACI 318-11 Section D.5.2</b>													
Effective Embedment Depth	$h_{ef}$	in.	1.19	1.94	1.77	2.40	2.35	2.99	2.97	4.24	2.94	4.22	4.86
Critical Edge Distance	$c_{ac}$	in.	3	6	2 11/16	3 5/8	3 3/16	4 1/2	4 1/2	6 3/8	6	6 3/8	7 5/16
Effectiveness Factor — Uncracked Concrete	$k_{uncr}$	—	30		24						27	24	
Effectiveness Factor — Cracked Concrete	$k_{cr}$	—	17										
Modification Factor	$\psi_{c,N}$	—	1.0										
Strength Reduction Factor — Concrete Breakout Failure <sup>2</sup>	$\phi_{cb}$	—	0.65										
<b>Pullout Strength in Tension — ACI 318-19 17.6.3, ACI 318-14 17.4.3 or ACI 318-11 Section D.5.3</b>													
Pullout Resistance, Uncracked Concrete ( $f'_c = 2,500$ psi)	$N_{p,uncr}$	lb.	— <sup>3</sup>	— <sup>3</sup>	2,700 <sup>4</sup>	— <sup>3</sup>	— <sup>3</sup>	— <sup>3</sup>	— <sup>3</sup>	9,810 <sup>4</sup>	— <sup>3</sup>	— <sup>3</sup>	— <sup>3</sup>
Pullout Resistance, Cracked Concrete ( $f'_c = 2,500$ psi)	$N_{p,cr}$	lb.	— <sup>3</sup>	1,905 <sup>4</sup>	1,235 <sup>4</sup>	2,700 <sup>4</sup>	— <sup>3</sup>	— <sup>3</sup>	3,040 <sup>4</sup>	5,570 <sup>4</sup>	— <sup>3</sup>	6,070 <sup>4</sup>	7,195 <sup>4</sup>
Strength Reduction Factor — Pullout Failure <sup>2</sup>	$\phi_p$	—	0.65										
<b>Tension Strength for Seismic Applications — ACI 318-19 17.10.3, ACI 318-14 17.2.3.3 or ACI 318-11 Section D.3.3.3</b>													
Nominal Pullout Strength for Seismic Loads ( $f'_c = 2,500$ psi)	$N_{p,eq}$	lb.	— <sup>3</sup>	1,905 <sup>4</sup>	1,235 <sup>4</sup>	2,700 <sup>4</sup>	— <sup>3</sup>	— <sup>3</sup>	3,040 <sup>4</sup>	5,570 <sup>4</sup>	3,840 <sup>4</sup>	6,070 <sup>4</sup>	7,195 <sup>4</sup>
Strength Reduction Factor — Pullout Failure <sup>2</sup>	$\phi_{eq}$	—	0.65										

1. The information presented in this table is to be used in conjunction with the design criteria of ACI 318-19 chapter 17, ACI 318-14 Chapter 17 or ACI 318-11 Appendix D, except as modified below.

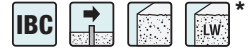
2. The strength reduction factor applies when the load combinations from the IBC or ACI 318 are used and the requirements of ACI 318-19 17.5.3, ACI 318-14 17.3.3 or ACI 318-11 D.4.3, as applicable, are met. If the load combinations of ACI 318-11 Appendix C are used, the appropriate strength reduction factor must be determined in accordance with ACI 318-11 D.4.4.

3. Pullout strength is not reported since concrete breakout controls.

4. Adjust the characteristic pullout resistance for other concrete compressive strengths by multiplying the tabular value by  $(f'_{c,specified} / 2,500)^{0.5}$ .

# Titen HD® Design Information — Concrete

## Titen HD Shear Strength Design Data<sup>1</sup>



Characteristic	Symbol	Unit	Nominal Anchor Diameter, d <sub>a</sub> (in.)											
			1/4		3/8		1/2		5/8		3/4			
Nominal Embedment Depth	<i>h<sub>nom</sub></i>	in.	1 5/8	2 1/2	2 1/2	3 1/4	3 1/4	4	4	5 1/2	4	5 1/2	6 1/4	
<b>Steel Strength in Shear (ACI 318-19 17.7.1, ACI 318-14 17.5.1 or ACI 318-11 Section D.6.1)</b>														
Shear Resistance of Steel	<i>V<sub>sa</sub></i>	lb.	2,020		4,460		7,455		10,000		14,950		16,840	
Strength Reduction Factor — Steel Failure <sup>2</sup>	<i>φ<sub>sa</sub></i>	—	0.60											
<b>Concrete Breakout Strength in Shear (ACI 318-19 17.7.2 ACI 318-14 17.5.2 or ACI 318-11 Section D.6.2)</b>														
Outside Diameter	<i>d<sub>a</sub></i>	in.	0.25		0.375		0.500		0.625		0.750			
Load Bearing Length of Anchor in Shear	<i>ℓ<sub>e</sub></i>	in.	1.19	1.94	1.77	2.40	2.35	2.99	2.97	4.24	2.94	4.22	4.86	
Strength Reduction Factor — Concrete Breakout Failure <sup>2</sup>	<i>φ<sub>cb</sub></i>	—	0.70											
<b>Concrete Pryout Strength in Shear (ACI 318-19 17.7.3, ACI 318-14 17.5.3 or ACI 318-11 Section D.6.3)</b>														
Coefficient for Pryout Strength	<i>k<sub>cp</sub></i>	lb.	1.0						2.0					
Strength Reduction Factor — Concrete Pryout Failure <sup>2</sup>	<i>φ<sub>cp</sub></i>	—	0.70											
<b>Steel Strength in Shear for Seismic Applications (ACI 318-19 17.10.3, ACI 318-14 17.2.3.3 or ACI 318-11 Section D.3.3.3)</b>														
Shear Resistance for Seismic Loads	<i>V<sub>eq</sub></i>	lb.	1,695		2,855		4,790		8,000		9,350			
Strength Reduction Factor — Steel Failure <sup>2</sup>	<i>φ<sub>eq</sub></i>	—	0.60											

- The information presented in this table is to be used in conjunction with the design criteria of ACI 318-19 Chapter 17, ACI 318-14 Chapter 17 and ACI 318-11 Appendix D, except as modified below.
- The strength reduction factor applies when the load combinations from the IBC or ACI 318 are used and the requirements of ACI 318-19 17.5.3, ACI 318-14 17.3.3 or ACI 318-11 D.4.3, as applicable, are met. If the load combinations of ACI 318-11 Appendix C are used, the appropriate strength reduction factor must be determined in accordance with ACI 318-11 D.4.4.

## Titen HD Tension and Shear Strength Design Data for the Soffit of Normal-Weight or Sand-Lightweight Concrete over Steel Deck<sup>1,6,7</sup>



Characteristic	Symbol	Units	Nominal Anchor Diameter, d <sub>a</sub> (in.)									
			Lower Flute						Upper Flute			
			Figure 2		Figure 1				Figure 2		Figure 1	
			1/4	3/8	1/2	2	3 1/2	1 5/8	2 1/2	1 5/8	2	
Nominal Embedment Depth	<i>h<sub>nom</sub></i>	in.	1 5/8	2 1/2	1 7/8	2 1/2	2	3 1/2	1 5/8	2 1/2	1 7/8	2
Effective Embedment Depth	<i>h<sub>ef</sub></i>	in.	1.19	1.94	1.23	1.77	1.29	2.56	1.19	1.94	1.23	1.29
Pullout Resistance, concrete on steel deck (cracked) <sup>2,3,4</sup>	<i>N<sub>p,deck,cr</sub></i>	lb.	420	535	375	870	905	2,040	655	1,195	500	1,700
Pullout Resistance, concrete on steel deck (uncracked) <sup>2,3,4</sup>	<i>N<sub>p,deck,uncr</sub></i>	lb.	995	1,275	825	1,905	1,295	2,910	1,555	2,850	1,095	2,430
Steel Strength in Shear, concrete on steel deck <sup>5</sup>	<i>V<sub>sa,deck</sub></i>	lb.	1,335	1,745	2,240	2,395	2,435	4,430	2,010	2,420	4,180	7,145
Steel Strength in Shear, Seismic	<i>V<sub>sa,deck,eq</sub></i>	lb.	870	1,135	1,434	1,533	1,565	2,846	1,305	1,575	2,676	4,591

- The information presented in this table is to be used in conjunction with the design criteria of ACI 318-19 Chapter 17, ACI 318-14 Chapter 17 and ACI 318-11 Appendix D, except as modified below.
- Concrete compressive strength shall be 3,000 psi minimum. The characteristic pullout resistance for greater compressive strengths shall be increased by multiplying the tabular value by (*f'<sub>c,specified</sub>* / 3,000)<sup>0.5</sup>.
- For anchors installed in the soffit of sand-lightweight or normal-weight concrete over steel deck floor and roof assemblies, as shown in Figure 1 and Figure 2, calculation of the concrete breakout strength may be omitted.
- In accordance with ACI 318-19 Section 17.6.3.2.1, ACI 318-14 Section 17.4.3.2 or ACI 318-11 Section D.5.3.2, the nominal pullout strength in cracked concrete for anchors installed in the soffit of sand-lightweight or normal-weight concrete over steel deck floor and roof assemblies *N<sub>p,deck,cr</sub>* shall be substituted for *N<sub>p,cr</sub>*. Where analysis indicates no cracking at service loads, the normal pullout strength in uncracked concrete *N<sub>p,deck,uncr</sub>* shall be substituted for *N<sub>p,uncr</sub>*.
- In accordance with ACI 318-19 Section 17.7.1.2(c), ACI 318-14 Section 17.5.1.2(c) or ACI 318-11 Section D.6.1.2(c), the shear strength for anchors installed in the soffit of sand-lightweight or normal-weight concrete over steel deck floor and roof assemblies *V<sub>sa,deck</sub>* and *V<sub>sa,deck,eq</sub>* shall be substituted for *V<sub>sa</sub>*.
- Minimum edge distance to edge of panel is 2*h<sub>ef</sub>*.
- The minimum anchor spacing along the flute must be the greater of 3*h<sub>ef</sub>* or 1.5 times the flute width.

<sup>1</sup>See p. 14 for an explanation of the load table icons.

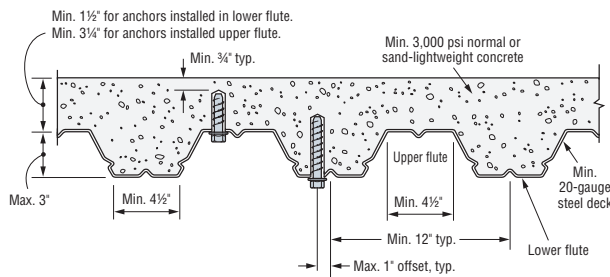
# Titen HD® Design Information — Concrete

Titen HD Anchor Tension and Shear Strength Design Data in the Topside of Normal-Weight Concrete or Sand-Lightweight Concrete over Steel Deck<sup>1,2,3,4</sup>

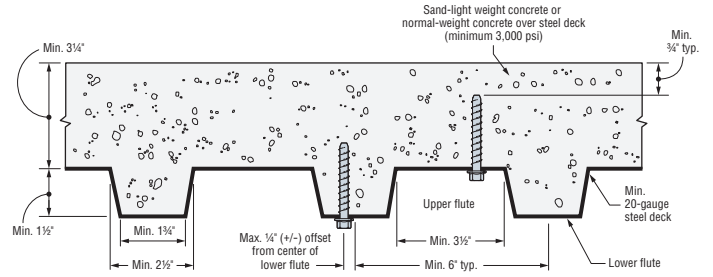


Design Information	Symbol	Units	Nominal Anchor Diameter, $d_a$ (in.)			
			Figure 3			
			1/4	3/8	1/2	
Nominal Embedment Depth	$h_{nom}$	in.	1 5/8	2 1/2	3 1/4	4
Effective Embedment Depth	$h_{ef}$	in.	1.19	1.77	2.35	2.99
Minimum Concrete Thickness <sup>5</sup>	$h_{min,deck}$	in.	2 1/2	3 1/4	4 1/2	4 1/2
Critical Edge Distance	$C_{ac,deck,top}$	in.	3 3/4	7 1/4	9	9
Minimum Edge Distance	$C_{min,deck,top}$	in.	3 1/2	3	2 1/2	2 1/2
Minimum Spacing	$S_{min,deck,top}$	in.	3 1/2	3	3	3

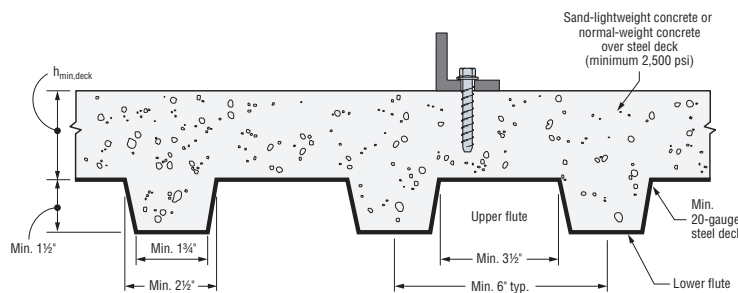
- For anchors installed in the topside of concrete-filled deck assemblies, as shown in Figure 3, the nominal concrete breakout strength of a single anchor or group of anchors in shear,  $V_{cb}$  or  $V_{cbg}$ , respectively, must be calculated in accordance with ACI 318-19 Section 17.7.2, ACI 318-14 Section 17.5.2 or ACI 318-11 Section D.6.2, using the actual member thickness,  $h_{min,deck}$ , in the determination of  $A_{vc}$ .
- Design capacity shall be based on calculations according to values in the tables featured on pp. 69 and 70.
- Minimum flute depth (distance from top of flute to bottom of flute) is 1 1/2" (see Figure 3).
- Steel deck thickness shall be minimum 20 gauge.
- Minimum concrete thickness ( $h_{min,deck}$ ) refers to concrete thickness above upper flute (see Figure 3).



**Figure 1.** Installation of 3/8"- and 1/2"-Diameter Anchors in the Soffit of Concrete over Steel Deck



**Figure 2.** Installation of 1/4"-Diameter Anchors in the Soffit of Concrete over Steel Deck

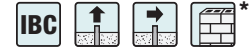


**Figure 3.** Installation of 1/4"- and 3/8"-Diameter Anchors in the Topside of Concrete over Steel Deck

\*See p. 14 for an explanation of the load table icons.

# Titen HD® Design Information — Masonry

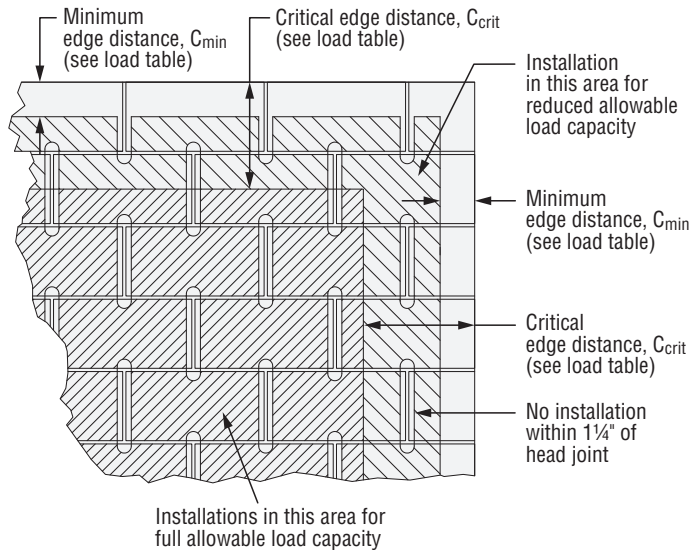
Titen HD Allowable Tension and Shear Loads in  
8" Lightweight, Medium-Weight and Normal-Weight Grout-Filled CMU



Mechanical Anchors

Size in. (mm)	Drill Bit Diameter in.	Minimum Embedment Depth in. (mm)	Critical Edge Distance $C_{crit}$ in. (mm)	Minimum Edge Distance $C_{min}$ in. (mm)	Critical Spacing Distance in. (mm)	Values for 8" Lightweight, Medium-Weight or Normal-Weight Grout-Filled CMU			
						Tension Load		Shear Load	
						Ultimate lb. (kN)	Allowable lb. (kN)	Ultimate lb. (kN)	Allowable lb. (kN)
<b>Anchor Installed in the Face of the CMU Wall (See Figure 4)</b>									
1/4 (6.4)	1/4	2 1/2 (64)	4 (102)	1 1/4 (32)	4 (102)	2,050 (9.1)	410 (1.8)	2,500 (11.1)	500 (2.2)
3/8 (9.5)	3/8	2 3/4 (70)	12 (305)	4 (102)	6 (152)	2,390 (10.6)	480 (2.1)	4,340 (19.3)	870 (3.9)
1/2 (12.7)	1/2	3 1/2 (89)	12 (305)	4 (102)	8 (203)	3,440 (15.3)	690 (3.1)	6,920 (30.8)	1,385 (6.2)
5/8 (15.9)	5/8	4 1/2 (114)	12 (305)	4 (102)	10 (254)	5,300 (23.6)	1,060 (4.7)	10,420 (46.4)	2,085 (9.3)
3/4 (19.1)	3/4	5 1/2 (140)	12 (305)	4 (102)	12 (305)	7,990 (35.5)	1,600 (7.1)	15,000 (66.7)	3,000 (13.3)

1. The tabulated allowable loads are based on a safety factor of 5.0 for installations under the IBC and IRC.
2. Values for 8"-wide, lightweight, medium-weight and normal-weight concrete masonry units.
3. The masonry units must be fully grouted.
4. The minimum specified compressive strength of masonry,  $f_m$ , at 28 days is 1,500 psi.
5. Embedment depth is measured from the outside face of the concrete masonry unit.
6. Grout-filled CMU wall design must satisfy applicable design standards and be capable of withstanding applied loads.
7. Refer to allowable load-adjustment factors for spacing and edge distance on pp. 78–79.



**Figure 4.** Shaded Area = Placement for Full and Reduced Allowable Load Capacity in Grout-Filled CMU

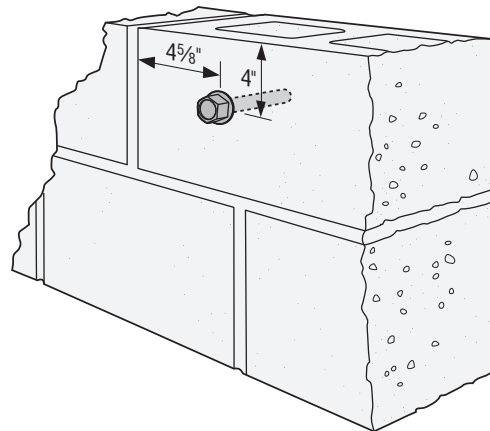
# Titen HD® Design Information — Masonry

Titen HD Allowable Tension and Shear Loads in  
8" Lightweight, Medium-Weight and Normal-Weight Hollow CMU



Size in. (mm)	Drill Bit Diameter in.	Embedment Depth <sup>4</sup> in. (mm)	Minimum Edge Distance in. (mm)	8" Hollow CMU Loads Based on CMU Strength			
				Tension Load		Shear Load	
				Ultimate lb. (kN)	Allowable lb. (kN)	Ultimate lb. (kN)	Allowable lb. (kN)
<b>Anchor Installed in Face Shell (See Figure 5)</b>							
3/8 (9.5)	3/8	1 3/4 (45)	4 (102)	720 (3.2)	145 (0.6)	1,240 (5.5)	250 (1.1)
1/2 (12.7)	1/2	1 3/4 (45)	4 (102)	760 (3.4)	150 (0.7)	1,240 (5.5)	250 (1.1)
5/8 (15.9)	5/8	1 3/4 (45)	4 (102)	800 (3.6)	160 (0.7)	1,240 (5.5)	250 (1.1)
3/4 (19.1)	3/4	1 3/4 (45)	4 (102)	880 (3.9)	175 (0.8)	1,240 (5.5)	250 (1.1)

- The tabulated allowable loads are based on a safety factor of 5.0 for installations under the IBC and IRC.  
**Note:** No installation within 4 5/8" of bed joint of hollow masonry block wall.
- Values for 8"-wide, lightweight, medium-weight and normal-weight concrete masonry units.
- The minimum specified compressive strength of masonry,  $f'_m$ , at 28 days is 1,500 psi.
- Embedment depth is measured from the outside face of the concrete masonry unit and is based on the anchor being embedded an additional 1/2"- through 1 1/4"-thick face shell.
- Allowable loads may not be increased for short-term loading due to wind or seismic forces.
- CMU wall design must satisfy applicable design standards and be capable of withstanding applied loads.
- Do not use impact wrenches to install in hollow CMU.
- Set drill to rotation-only mode when drilling into hollow CMU.
- The tabulated allowable loads are based on one anchor installed in a single cell.
- Distance from centerline of anchor to head joint shall be a minimum of 4 5/8".

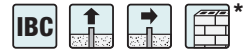


**Figure 5**

\*See p. 14 for an explanation of the load table icons.

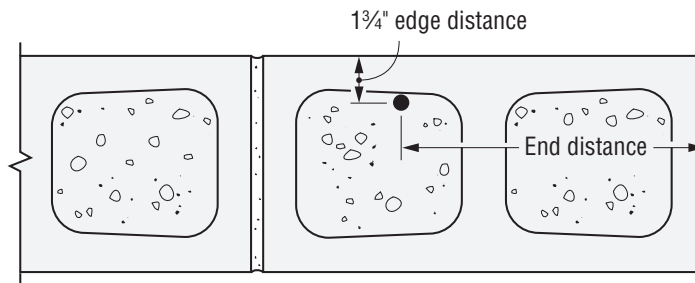
# Titen HD® Design Information — Masonry

## Titen HD Allowable Tension and Shear Loads in 8" Lightweight, Medium-Weight and Normal-Weight Grout-Filled CMU Stemwall



Size in. (mm)	Drill Bit Diameter in.	Embed. Depth in. (mm)	Minimum Edge Distance in. (mm)	Minimum End Distance in. (mm)	Critical Spacing Distance in. (mm)	8" Grout-Filled CMU Allowable Loads Based on CMU Strength, $f'_m = 1,500$ psi					
						Tension		Shear Perpendicular to Edge		Shear Parallel to Edge	
						Ultimate lb. (kN)	Allowable lb. (kN)	Ultimate lb. (kN)	Allowable lb. (kN)	Ultimate lb. (kN)	Allowable lb. (kN)
<b>Anchor Installed in Cell Opening or Web (Top of Wall) (See Figure 6)</b>											
1/2 (12.7)	1/2	4 1/2 (114)	1 3/4 (45)	8 (203)	8 (203)	2,860 (12.7)	570 (2.5)	800 (3.6)	160 (0.7)	2,920 (13.0)	585 (2.6)
5/8 (15.9)	5/8	4 1/2 (114)	1 3/4 (45)	10 (254)	10 (254)	2,860 (12.7)	570 (2.5)	800 (3.6)	160 (0.7)	3,380 (15.0)	675 (3.0)

1. The tabulated allowable loads are based on a safety factor of 5.0 for installations under the IBC and IRC.
2. Values are for 8"-wide, lightweight, medium-weight and normal-weight concrete masonry units.
3. The masonry units must be fully grouted.
4. The minimum specified compressive strength of masonry,  $f'_m$ , at 28 days is 1,500 psi.
5. Grout-filled CMU wall design must satisfy applicable design standards and be capable of withstanding applied design loads.
6. Loads are based on anchor installed in either the web or grout-filled cell opening in the top of wall.



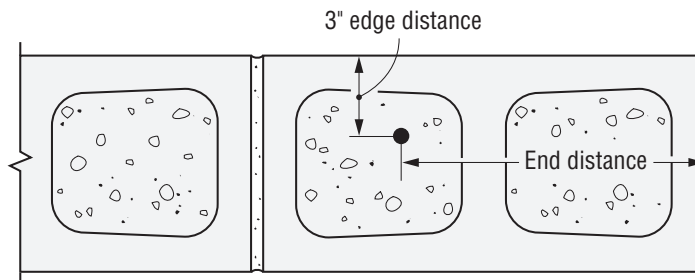
**Figure 6.**  
Anchor Installed in Top of Wall at 1 3/4" Edge Distance

## Titen HD Allowable Tension and Shear Loads in 8" Medium-Weight and Normal-Weight Grout-Filled CMU Stemwall



Size in. (mm)	Drill Bit Diameter in.	Embed. Depth in. (mm)	Minimum Edge Distance in. (mm)	Minimum End Distance in. (mm)	Critical Spacing Distance in. (mm)	8" Grout-Filled CMU Allowable Loads Based on CMU Strength, $f'_m = 2,000$ psi					
						Tension		Shear Perpendicular to Edge		Shear Parallel to Edge	
						Ultimate lb. (kN)	Allowable lb. (kN)	Ultimate lb. (kN)	Allowable lb. (kN)	Ultimate lb. (kN)	Allowable lb. (kN)
<b>Anchor Installed in Cell Opening (Top of Wall) (See Figure 7)</b>											
1/2 (12.7)	1/2	4 1/2 (114)	3 (76)	12 (305)	12 (305)	5,800 (25.8)	1,160 (5.2)	2,750 (12.2)	550 (2.5)	7,500 (33.4)	1,500 (6.7)
5/8 (15.9)	5/8										

1. The tabulated allowable loads are based on a safety factor of 5.0 for installations under the IBC and IRC.
2. Values are for 8"-wide, medium-weight and normal-weight concrete masonry units.
3. The masonry units must be fully grouted.
4. The minimum specified compressive strength of masonry,  $f'_m$ , at 28 days is 2,000 psi.
5. Allowable loads are not permitted to be increased for short-term loading due to wind or seismic forces.
6. Grout-filled CMU wall design must satisfy applicable design standards and be capable of withstanding applied design loads.
7. Loads are based on anchor installed in grout-filled cell opening in the top of wall.



**Figure 7.**  
Anchor Installed in Top of Wall at 3" Edge Distance

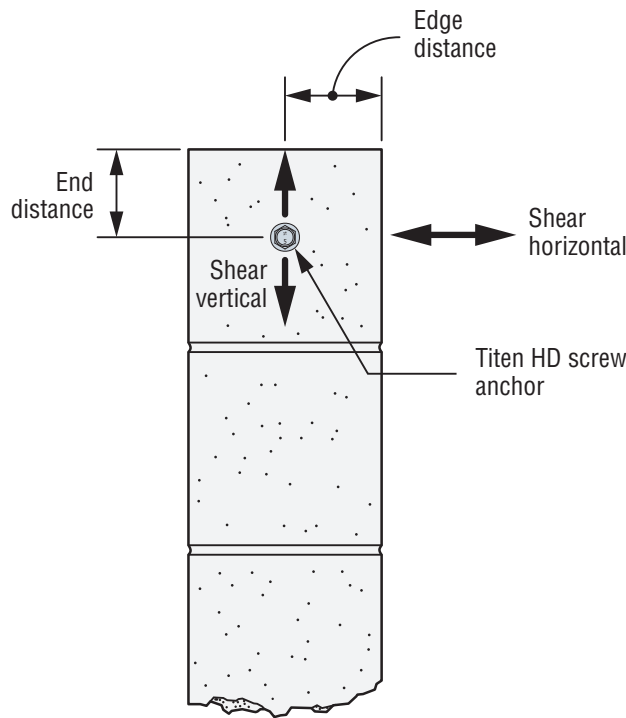
# Titen HD® Design Information — Masonry

Titen HD Allowable Tension and Shear Loads in End of 8" Lightweight, Medium-Weight and Normal-Weight Grout-Filled CMU Wall



Size (in.)	Drill Bit Diameter (in.)	Embedment Depth (in.)	Minimum Edge Distance (in.)	Minimum End Distance (in.)	Minimum Spacing (in.)	Allowable Loads		
						Tension (lbf)	Shear Vertical (lbf)	Shear Horizontal (lbf)
1/4	1/4	2 3/8	3 13/16	1 3/4	4	310	215	375
3/8	3/8	2 3/8	3 13/16	1 3/4	6	335	215	375

1. The tabulated allowable loads are based on a safety factor of 5.0 for installations under the IBC and IRC.
2. Values are for 8"-wide, lightweight, medium-weight and normal-weight concrete masonry units.
3. The masonry units must be fully grouted.
4. The minimum specified compressive strength of masonry,  $f'_m$ , at 28 days is 2,000 psi.
5. Grout-filled CMU wall design must satisfy applicable design standards and be capable of withstanding applied design loads.
6. Minimum edge and end distances are measured from anchor centerline to the edge and end of the CMU masonry wall, respectively. Refer to Figure 8 below.

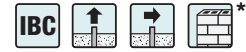


**Figure 8.**  
Anchor Installed in End of Grout-Filled CMU Wall



# Titen HD® Design Information — Masonry

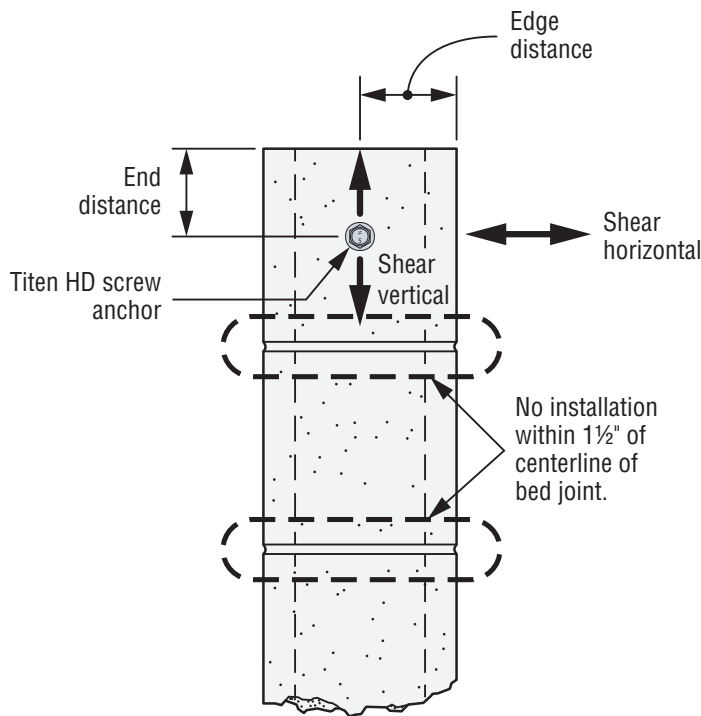
Titen HD Allowable Tension and Shear Loads in End of 8" Lightweight, Medium-Weight and Normal-Weight Hollow CMU Wall



Mechanical Anchors

Size (in.)	Drill Bit Diameter (in.)	Embedment Depth (in.)	Minimum Edge Distance (in.)	Minimum End Distance (in.)	Minimum Spacing (in.)	Allowable Loads		
						Tension (lbf)	Shear Vertical (lbf)	Shear Horizontal (lbf)
¼	¼	2⅝	3⅜	1¼	4	130	105	120
⅜	⅜	2⅝	3⅜	1¼	6	130	115	125

1. The tabulated allowable loads are based on a safety factor of 5.0 for installations under the IBC and IRC.
2. Values for 8"-wide, lightweight, medium-weight and normal-weight concrete masonry units.
3. The minimum specified compressive strength of masonry,  $f'_m$ , at 28 days is 2,000 psi.
4. Embedment depth is measured from the outside face of the concrete masonry unit and is based on the anchor being embedded an additional 1⅝"- through 1¼"-thick face shell.
5. Allowable loads may not be increased for short-term loading due to wind or seismic forces.
6. CMU wall design must satisfy applicable design standards and be capable of withstanding applied loads.
7. Do not use impact wrenches to install in hollow CMU.
8. Set drill to rotation-only mode when drilling into hollow CMU.
9. Minimum edge and end distances are measured from anchor centerline to the edge and end of the CMU masonry wall, respectively. Refer to Figure 9 below.
10. Anchors must be installed a minimum of 1½" from centerline of bed joints. See Figure 9 for prohibited anchor installation locations.



**Figure 9.**  
Anchor Installed in End of Hollow CMU Wall

\*See p. 14 for an explanation of the load table icons.

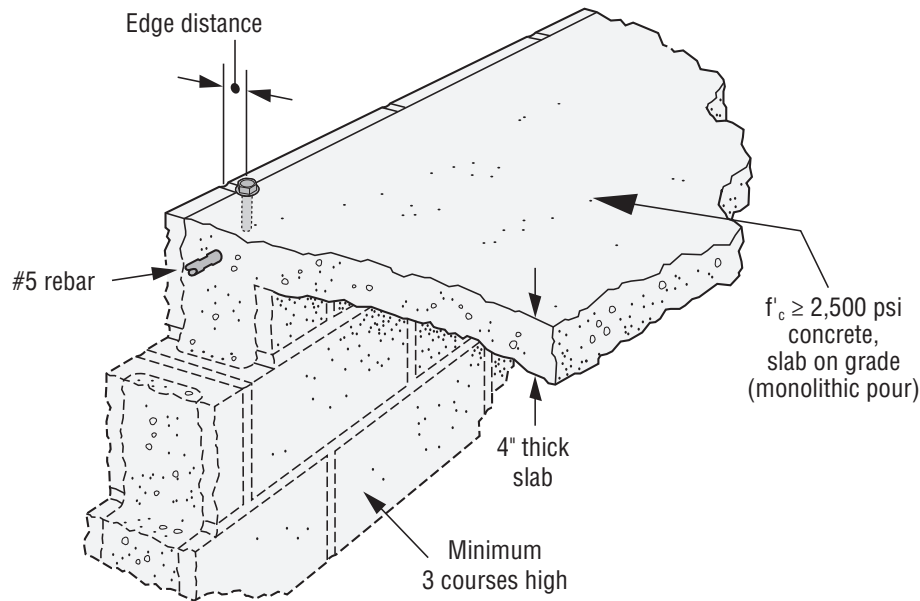
# Titen HD® Design Information — Masonry

Titen HD Allowable Tension Loads for 8" Lightweight, Medium-Weight and Normal-Weight CMU Chair Blocks Filled with Normal-Weight Concrete



Size in. (mm)	Drill Bit Diameter (in.)	Minimum Embedment Depth in. (mm)	Minimum Edge Distance in. (mm)	Critical Spacing in. (mm)	8" Concrete-Filled CMU Chair Block Allowable Tension Loads Based on CMU Strength	
					Ultimate lb. (kN)	Allowable lb. (kN)
3/8 (9.5)	3/8	2 3/8 (60)	1 3/4 (44)	9 1/2 (241)	3,175 (14.1)	635 (2.8)
		3 3/8 (86)	1 3/4 (44)	13 1/2 (343)	5,175 (23.0)	1,035 (4.6)
		5 (127)	2 1/4 (57)	20 (508)	10,584 (47.1)	2,115 (9.4)
1/2 (12.7)	1/2	8 (203)	2 1/4 (57)	32 (813)	13,722 (61.0)	2,754 (12.2)
		10 (254)	2 1/4 (57)	40 (1016)	16,630 (74.0)	3,325 (14.8)
5/8 (15.9)	5/8	5 1/2 (140)	1 3/4 (44)	22 (559)	9,025 (40.1)	1,805 (8.1)

1. The tabulated allowable loads are based on a safety factor of 5.0.
2. Values are for 8"-wide concrete masonry units (CMU) filled with concrete, with minimum compressive strength of 2,500 psi and poured monolithically with the floor slab.
3. Center #5 rebar in CMU cell and concrete slab as shown in the illustration below.



C-A-2023 © 2023 SIMPSON STRONG-TIE COMPANY INC.

\*See p. 14 for an explanation of the load table icons.

# Titen HD® Design Information — Masonry

## Load-Adjustment Factors for Titen HD Anchors in Face-of-Wall Installation in 8" Grout-Filled CMU: Edge Distance and Spacing, Tension and Shear Loads

### How to use these charts:

- The following tables are for reduced edge distance and spacing.
- Locate the anchor size to be used for either a tension and/or shear load application.
- Locate the embedment (E) at which the anchor is to be installed.
- Locate the edge distance ( $c_{act}$ ) or spacing ( $s_{act}$ ) at which the anchor is to be installed.
- The load adjustment factor ( $f_c$  or  $f_s$ ) is the intersection of the row and column.
- Multiply the allowable load by the applicable load adjustment factor.
- Reduction factors for multiple edges or spacings are multiplied together.

### Edge Distance Tension ( $f_c$ )



$c_{act}$ (in.)	Dia.	1/4	3/8	1/2	5/8	3/4
	E	2 1/2	2 3/4	3 1/2	4 1/2	5 1/2
	$c_{cr}$	4	12	12	12	12
	$c_{min}$	1.25	4	4	4	4
	$f_{cmin}$	0.77	1.00	1.00	0.83	0.66
1.25		0.77				
2		0.83				
3		0.92				
4		1.00	1.00	1.00	0.83	0.66
6		1.00	1.00	1.00	0.87	0.75
8		1.00	1.00	1.00	0.92	0.83
10		1.00	1.00	1.00	0.96	0.92
12		1.00	1.00	1.00	1.00	1.00

See footnotes below.

### Edge Distance Shear ( $f_c$ )

#### Shear Load Parallel to Edge or End



$c_{act}$ (in.)	Dia.	1/4	3/8	1/2	5/8	3/4
	E	2 1/2	2 3/4	3 1/2	4 1/2	5 1/2
	$c_{cr}$	4	12	12	12	12
	$c_{min}$	1.25	4	4	4	4
	$f_{cmin}$	0.58	0.77	0.48	0.46	0.44
1.25		0.58				
2		0.69				
3		0.85				
4		1.00	0.77	0.48	0.46	0.44
6		1.00	0.83	0.61	0.60	0.58
8		1.00	0.89	0.74	0.73	0.72
10		1.00	0.94	0.87	0.87	0.86
12		1.00	1.00	1.00	1.00	1.00

See footnotes below.

### Edge Distance Shear ( $f_c$ )

#### Shear Load Perpendicular to Edge or End (Directed Towards Edge or End)



$c_{act}$ (in.)	Dia.	1/4	3/8	1/2	5/8	3/4
	E	2 1/2	2 3/4	3 1/2	4 1/2	5 1/2
	$c_{cr}$	4	12	12	12	12
	$c_{min}$	1.25	4	4	4	4
	$f_{cmin}$	0.71	0.58	0.38	0.30	0.21
1.25		0.71				
2		0.79				
3		0.89				
4		1.00	0.58	0.38	0.30	0.21
6		1.00	0.69	0.54	0.48	0.41
8		1.00	0.79	0.69	0.65	0.61
10		1.00	0.90	0.85	0.83	0.80
12		1.00	1.00	1.00	1.00	1.00

- E = embedment depth (inches).
- $c_{act}$  = actual end or edge distance at which anchor is installed (inches).
- $c_{cr}$  = critical end or edge distance for 100% load (inches).
- $c_{min}$  = minimum end or edge distance for reduced load (inches).
- $f_c$  = adjustment factor for allowable load at actual end or edge distance.
- $f_{ccr}$  = adjustment factor for allowable load at critical end or edge distance.  $f_{ccr}$  is always = 1.00.
- $f_{cmin}$  = adjustment factor for allowable load at minimum end or edge distance.
- $f_c = f_{cmin} + [(1 - f_{cmin})(C_{act} - C_{min}) / (C_{cr} - C_{min})]$ .

\*See p. 14 for an explanation of the load table icons.

# Titen HD® Design Information — Masonry

## Load-Adjustment Factors for Titen HD Anchors in Face-of-Wall Installation in 8" Grout-Filled CMU: Edge Distance and Spacing, Tension and Shear Loads (cont.)

### How to use these charts:

1. The following tables are for reduced edge distance and spacing.
2. Locate the anchor size to be used for either a tension and/or shear load application.
3. Locate the embedment (E) at which the anchor is to be installed.
4. Locate the edge distance ( $c_{act}$ ) or spacing ( $s_{act}$ ) at which the anchor is to be installed.
5. The load adjustment factor ( $f_c$  or  $f_s$ ) is the intersection of the row and column.
6. Multiply the allowable load by the applicable load adjustment factor.
7. Reduction factors for multiple edges or spacings are multiplied together.

### Edge Distance Shear ( $f_c$ ) Shear Load Perpendicular to Edge or End (Directed Away from Edge or End)



$c_{act}$ (in.)	Dia.	1/4	3/8	1/2	5/8	3/4
	E	2 1/2	2 3/4	3 1/2	4 1/2	5 1/2
	$c_{cr}$	4	12	12	12	12
	$c_{min}$	1.25	4	4	4	4
	$f_{cmin}$	0.71	0.89	0.79	0.58	0.38
1.25		0.71				
2		0.79				
3		0.89				
4		1.00	0.89	0.79	0.58	0.38
6		1.00	0.92	0.84	0.69	0.54
8		1.00	0.95	0.90	0.79	0.69
10		1.00	0.97	0.95	0.90	0.85
12		1.00	1.00	1.00	1.00	1.00

### Spacing Tension ( $f_s$ )



$s_{act}$ (in.)	Dia.	1/4	3/8	1/2	5/8	3/4
	E	2 1/2	2 3/4	3 1/2	4 1/2	5 1/2
	$s_{cr}$	4	6	8	10	12
	$s_{min}$	2	3	4	5	6
	$f_{smin}$	0.66	0.87	0.69	0.59	0.50
2		0.66				
3		0.83	0.87			
4		1.00	0.91	0.69		
5			0.96	0.77	0.59	
6			1.00	0.85	0.67	0.50
8				1.00	0.84	0.67
10					1.00	0.83
12						1.00

### Spacing Shear ( $f_s$ )



$s_{act}$ (in.)	Dia.	1/4	3/8	1/2	5/8	3/4
	E	2 1/2	2 3/4	3 1/2	4 1/2	5 1/2
	$s_{cr}$	4	6	8	10	12
	$s_{min}$	2	3	4	5	6
	$f_{smin}$	0.87	0.62	0.62	0.62	0.62
2		0.87				
3		0.93	0.62			
4		1.00	0.75	0.62		
5			0.87	0.72	0.62	
6			1.00	0.81	0.70	0.62
8				1.00	0.85	0.75
10					1.00	0.87
12						1.00

1. E = embedment depth (inches).
2.  $s_{act}$  = actual spacing distance at which anchors are installed (inches).
3.  $s_{cr}$  = critical spacing distance for 100% load (inches).
4.  $s_{min}$  = minimum spacing distance for reduced load (inches).
5.  $f_s$  = adjustment factor for allowable load at actual spacing distance.
6.  $f_{s_{cr}}$  = adjustment factor for allowable load at critical spacing distance.  $f_{s_{cr}}$  is always = 1.00.
7.  $f_{s_{min}}$  = adjustment factor for allowable load at minimum spacing distance.
8.  $f_s = f_{s_{min}} + [(1 - f_{s_{min}}) (s_{act} - s_{min}) / (s_{cr} - s_{min})]$ .

\*See p. 14 for an explanation of the load table icons.