

T and L

Strap Tie

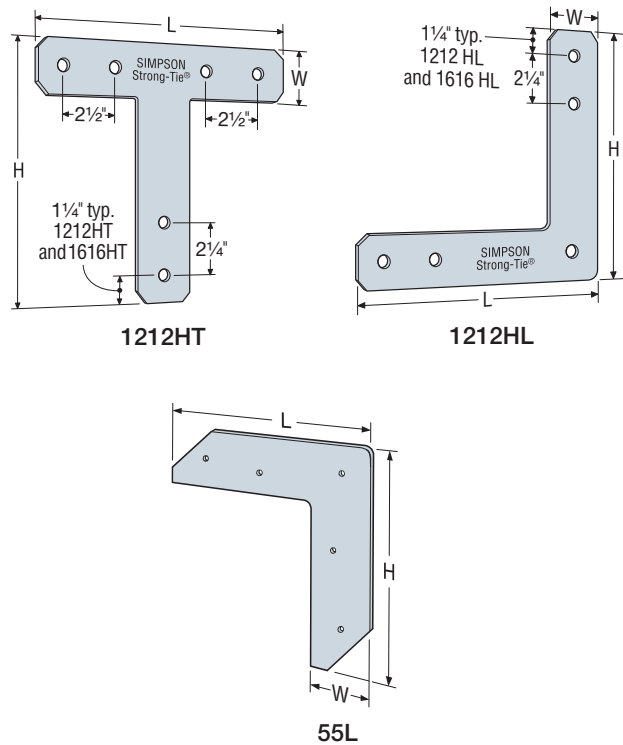
T and L strap ties are versatile utility straps. See Decorative Hardware for aesthetically pleasing options with black powder-coated paint.

Finish: Galvanized; see Corrosion Information, pp. 12–15; also available black powder coat (add PC to sku); contact Simpson Strong-Tie.

Codes: See p. 11 for Code Reference Key Chart

Model No.	Ga.	Dimensions (in.)			Fasteners			Code Ref.
		L	H	W	Nails (in.)	Bolts		
						Qty.	Dia.	
55L	16	4¾	4¾	1¼	(5) 0.148 x 2½	—	—	—
66L	14	6	6	1½	(10) 0.162 x 2½	3	¾"	—
88L	14	8	8	2	(12) 0.162 x 2½	3	½"	—
1212L	14	12	12	2	(14) 0.162 x 2½	3	½"	—
66T	14	6	5	1½	(8) 0.162 x 2½	3	¾"	—
128T	14	12	8	2	(12) 0.162 x 2½	3	½"	—
1212T	14	12	12	2	(12) 0.162 x 2½	3	½"	—

1. These connectors are not load rated; may be installed with nails or bolts.
2. **Fasteners:** Nail dimensions are listed diameter by length. See pp. 21–22 for fastener information.



These products are available with additional corrosion protection. For more information, see p. 14.

Model No.	Ga.	Dimensions (in.)			Minimum Bolt End and Edge Distances (in.)		Bolts		Allowable Loads		Code Ref.
		W	H	L	d1	d2	Qty.	Dia.	Tension/Uplift (100/160)	F ₁ (100/160)	
1212HL	7	2½	12	12	2½	4¾	5	5/8"	1,650	725	—
1616HL	7	2½	16	16	2½	4¾	5	5/8"	1,650	725	—
1212HT	7	2½	12	12	2½	4¾	6	5/8"	2,380	915	—
1616HT	7	2½	16	16	2½	4¾	6	5/8"	2,380	915	—

1. 1212HL, 1616HL, 1212HT, and 1616HT are to be installed in pairs with bolts in double shear. A single part with bolts in single shear is not load rated.
2. Allowable loads are based on a minimum member thickness of 3½".
3. 1212HT and 1616HT loads assume a continuous beam.

