

CC/ECC/ECCU

Column Caps

Column caps provide a strong connection for column-beam combinations.

Material: CC3¼, CC44, CC46, CC48, CC4.62, CC64, CC66, CC68, CC6-7½, ECC3¼, ECC44, ECC46, ECC48, ECC4.62, ECC64, ECC66, ECC68, ECC6-7½ — 7 gauge; all others — 3 gauge

Finish: Simpson Strong-Tie gray paint. Some products available in HDG, stainless steel or black powder coat; CCO, ECCO — no coating.

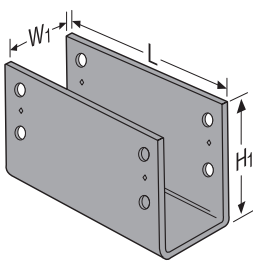
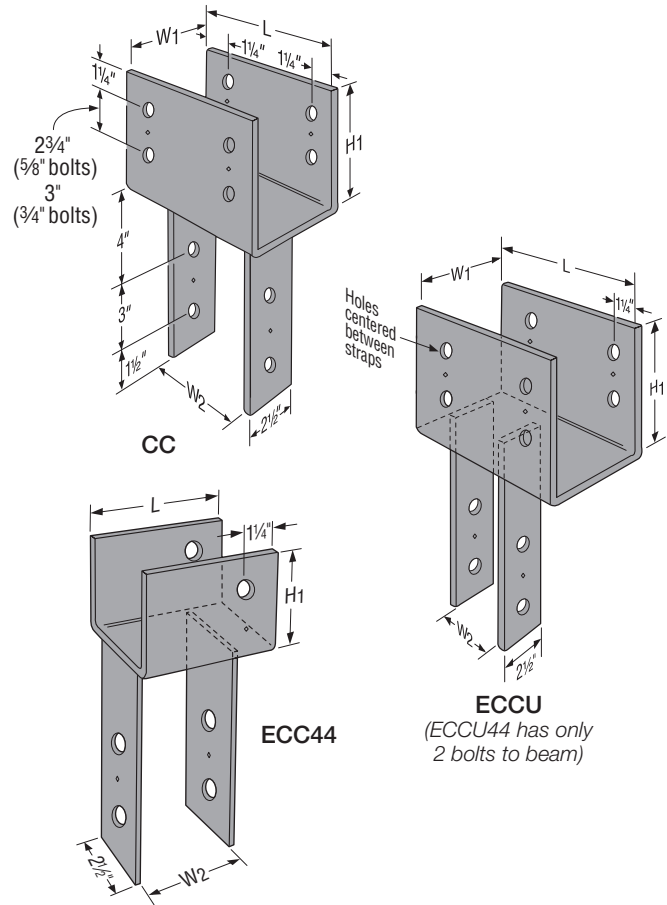
Installation:

- Use all specified fasteners; see General Notes
- Bolt holes shall be a minimum of ½" to a maximum of ⅞" larger than the bolt diameter (per 2015 NDS, section 12.1.3.2)
- Contact engineered wood manufacturers for connections that are not through the wide face

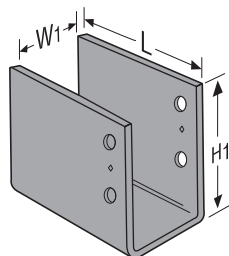
Options:

- Straps may be rotated 90° where $W_1 \geq W_2$ (see illustration) and for CC5¼-6.
- For special, custom or rough-cut lumber sizes, provide dimensions. An optional W_2 dimension on straps rotated 90° is limited by the W_1 dimension.)
- CCO/ECCO — Column cap only (no straps) may be ordered for field-welding to pipe or other columns. CCO/ECCO dimensions are the same as CC/ECC. Weld by designer.
- CCOB — Any two CCOs may be specified for back-to-back welding to create a cross beam connector. Use the table loads; the load is no greater than the lesser element employed.

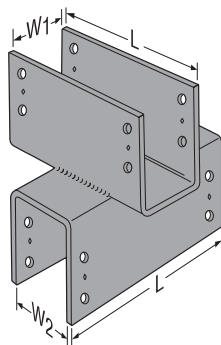
Codes: See p. 11 for Code Reference Key Chart



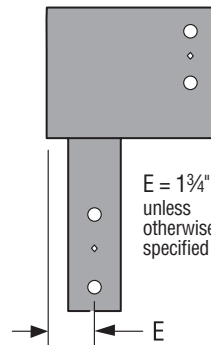
CCO



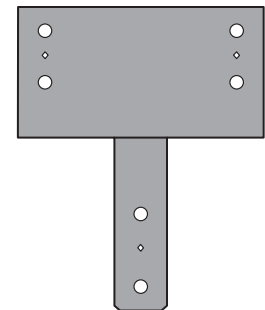
ECCO



CCOB



Optional ECC with Straps Rotated 90°



Optional CC with Straps Rotated 90°

PBS Post-to-Beam Selector

Specify post-to-beam connections

