

CJTZ/HCJTZ

Light and Heavy-Duty Concealed Joist Ties

The CJTZ/HCJTZ are concealed connectors. They can be installed three ways: with no routing of header/post or beam; a routed header/post, or a routed beam. It is part of a concealed connector system that includes the CPTZ and CBTZ.

The HCJTZ is a heavy concealed beam tie to be used with large glulam beams resisting heavy loads. The HCJTZ features a unique shape that allows installers to insert the connector into the end of the beam without a visible slot cut into the bottom of the beam.

Material: CJTZ — 12 gauge; HCJTZ — 10 gauge

Finish: Galvanized

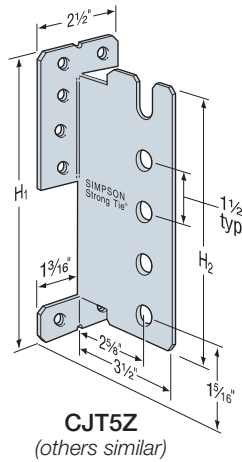
Installation:

- Use all specified fasteners; see General Notes.
- The CJTZ/HCJTZ is supplied with all dowels and screws required. Screws require a hex-head driver.
- Router end of beam for screw heads for flush installation.
- The carried member may be sloped up or down to 45° with full table loads.
- The CJTZ only is available with two dowel lengths. To order: specify short (e.g. CJTZ3S) or long dowels (e.g. CJTZ3ZL) (see footnote #1 below).

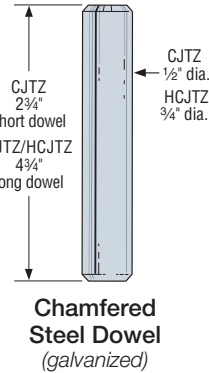
Options:

- See technical bulletin T-C-CJTZ at strongtie.com
- For additional concealed beam connections, see *Mass Timber Construction* catalog, pp. 188–191 at strongtie.com

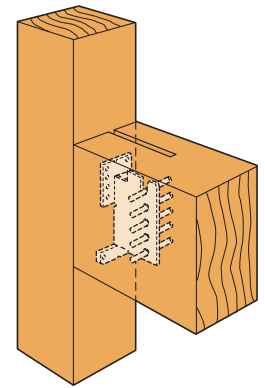
Codes: See p. 11 for Code Reference Key Chart



CJTZ5Z
(others similar)

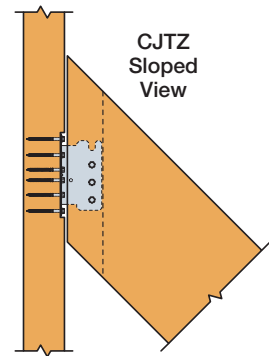


Chamfered Steel Dowel
(galvanized)



Typical CJTZ Installation
(dowels should be centered in beam; HCJTZ similar)

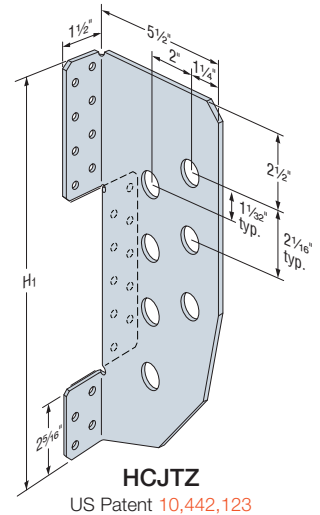
Warning: This connector requires special attention to ensure correct installation. The beam must be installed perpendicular to the support member. The connection's components may be damaged if the beam is rotated from its opposite end during or after installation. Damaged components may not be noticeable and may reduce the connector's load carrying capacity.



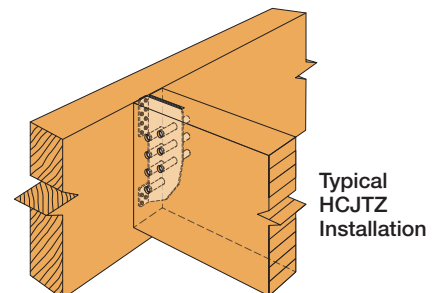
CJTZ Sloped View

These products are available with additional corrosion protection. For more information, see p. 14.

Model No.	Min. Joist Size	Dimensions (in.)		Fasteners (Quantity – Type)		Allowable Loads				Code Ref.
		H ₁	H ₂	Header	Joist Pins (2 3/4" or 4 3/4")	Uplift (160)	Floor (100)	Snow (115)	Roof (125)	
Douglas Fir–Larch										
CJT3Z	4x6	5 9/16	4 7/16	(6) 1/4" x 3" SDS	(3) 1/2"	985	1,050	1,050	1,050	IBC, FL, LA
	4x8	5 9/16	4 7/16	(6) 1/4" x 3" SDS	(3) 1/2"	1,540	1,730	1,730	1,730	
CJT4Z	4x10	7	5 15/16	(8) 1/4" x 3" SDS	(4) 1/2"	2,625	2,970	2,970	2,970	
CJT5Z	4x12	8 9/16	7 7/16	(10) 1/4" x 3" SDS	(5) 1/2"	3,160	3,935	4,520	4,580	
CJT6Z	4x12	10	8 15/16	(12) 1/4" x 3" SDS	(6) 1/2"	4,305	4,220	4,220	4,220	
Glulam										
CJT3Z	3 1/8" x 7 1/2"	5 9/16	4 7/16	(6) 1/4" x 3" SDS	(3) 1/2"	1,540	1,835	1,835	1,835	IBC, FL, LA
CJT4Z	3 1/8" x 9"	7	5 15/16	(8) 1/4" x 3" SDS	(4) 1/2"	2,625	3,180	3,180	3,180	
CJT5Z	3 1/8" x 10 1/2"	8 9/16	7 7/16	(10) 1/4" x 3" SDS	(5) 1/2"	3,160	3,900	4,480	4,570	
CJT6Z	3 1/8" x 12"	10	8 15/16	(12) 1/4" x 3" SDS	(6) 1/2"	4,305	4,510	4,860	4,860	
HCJTZ	5 1/8" x 15"	13 1/16	13 1/16	(22) 1/4" x 3" SDS	(7) 3/4"	9,210	8,465	8,465	8,465	
PSL										
CJT3Z	3 1/2" x 9 1/2"	5 9/16	4 7/16	(6) 1/4" x 3" SDS	(3) 1/2"	1,540	2,220	2,220	2,220	IBC, FL, LA
CJT4Z	3 1/2" x 9 1/2"	7	5 15/16	(8) 1/4" x 3" SDS	(4) 1/2"	2,625	2,810	2,810	2,810	
CJT5Z	3 1/2" x 9 1/2"	8 9/16	7 7/16	(10) 1/4" x 3" SDS	(5) 1/2"	3,160	3,980	4,285	4,285	
CJT6Z	3 1/2" x 11 7/8"	10	8 15/16	(12) 1/4" x 3" SDS	(6) 1/2"	4,305	4,640	4,640	4,640	
HCJTZ	5 1/8" x 15"	13 1/16	13 1/16	(22) 1/4" x 3" SDS	(7) 3/4"	9,210	8,465	8,465	8,465	



HCJTZ
US Patent 10,442,123



Typical HCJTZ Installation

1. Center dowel in beam. Short dowel (1/2" x 2 3/4") is for use with 3 1/8" glulam beam, 4x sawn lumber, or 3 1/2" wide PSL. Long dowel (1/2" x 4 3/4") is for use with 5 1/8" glulam beam, 6x sawn lumber, or greater widths.
2. **Fasteners:** SDS screws are Simpson Strong-Tie® Strong-Drive® SDS Heavy-Duty Connector screws. See pp. 21–22 for fastener information.