

New Fire Wall Hangers Optimized for Power Nailers

SIMPSON
Strong-Tie

A cost-effective, code-listed solution for multifamily.

Ideal for multifamily, multilevel Type III residential construction, our new patent-pending DGT™ and DGHT™ hangers are load-tested fire wall hangers with a two-hour fire rating. They're the first fire wall hangers designed to install with a power nailer during framing, which helps save time before hanging drywall and keeps construction projects on schedule.

Both models are offered in a wide range of sizes, making them simple to select and use. Both the DGT and DGHT hangers provide space for two layers of 5/8" gypsum board (drywall) to be slipped into place after the framing is complete.

These fire wall hangers have been tested according to ASTM E814 and received a two-hour fire rating for use on one or both sides of the wall. This rating verifies that the DGT and DGHT hangers do not reduce the two-hour fire wall assembly rating.

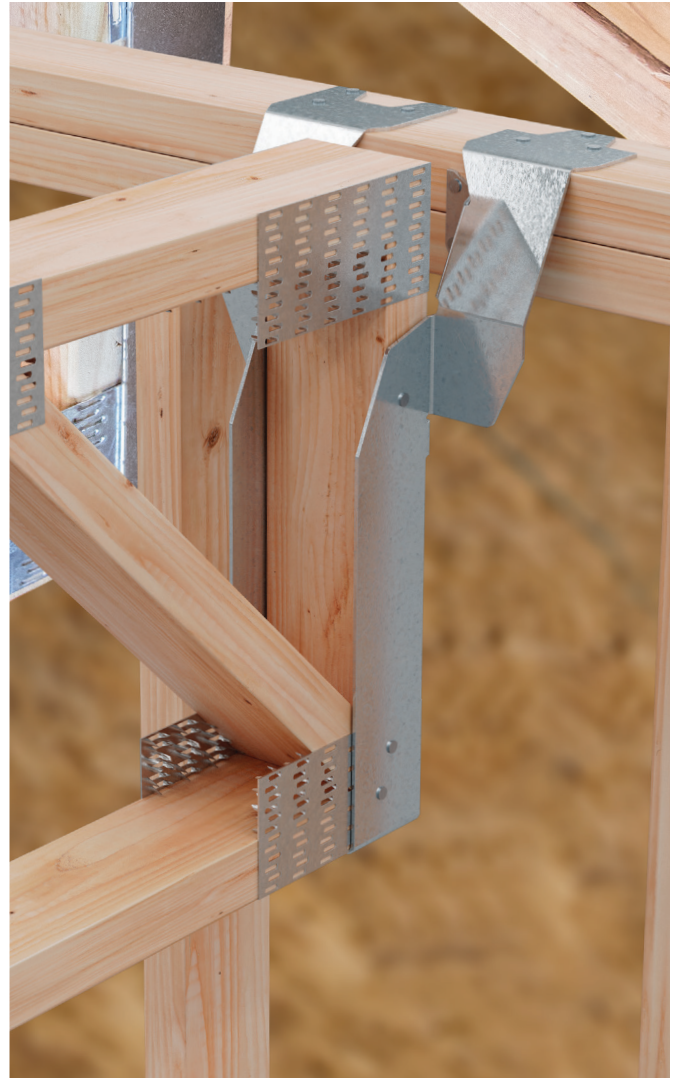
These fire wall hangers are widely available and backed by our expert service and technical support.



Code listed under the IRC® and IBC®; see strongtie.com for code listing.



DGT fire wall hanger installation.



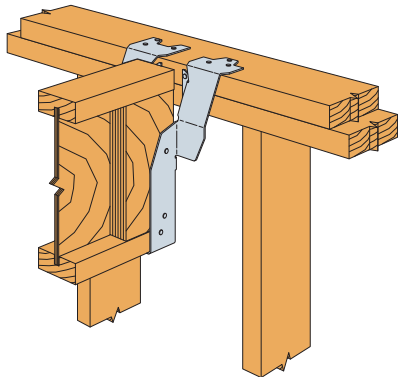
DGHT fire wall hanger installation.

Features

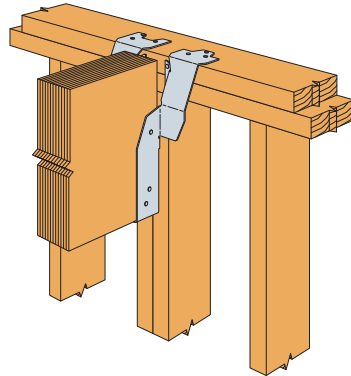
- Tested loads for 1½" and 2½" power-driven or hand-installed nails
- Optimized, cost-effective design for the market
- Tested and code-listed for 2x4 walls
- Innovative top-flange design for back-to-back installation on 2x6 (min.) walls
- Space for two layers of 5/8" drywall after framing
- Two-hour Fire-Resistant rating Intertek Design No. SST/WPCF 120-01

Material: DGT — 12 gauge; DGHT — 10 gauge

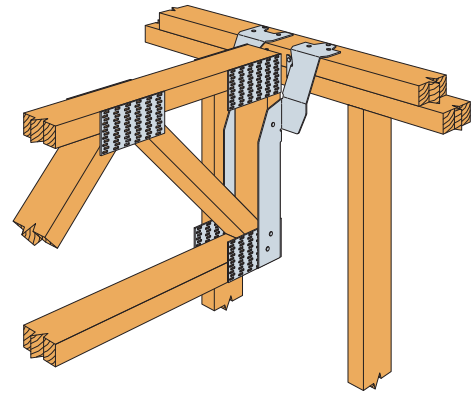
Finish: Galvanized



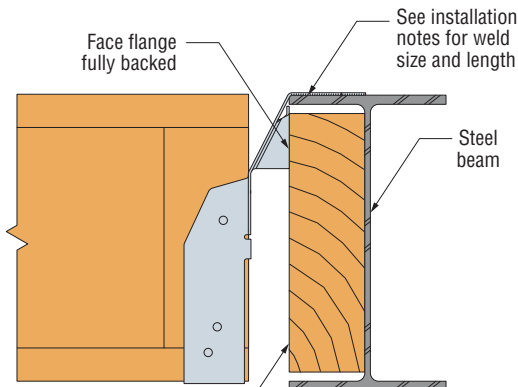
DGT™ Hanger on Stud Wall with I-Joist
(DGHT similar)



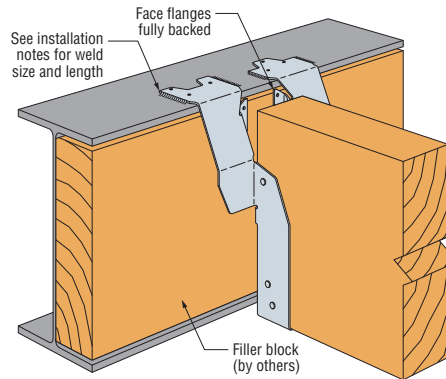
DGHT™ Hanger Installed over Double Studs



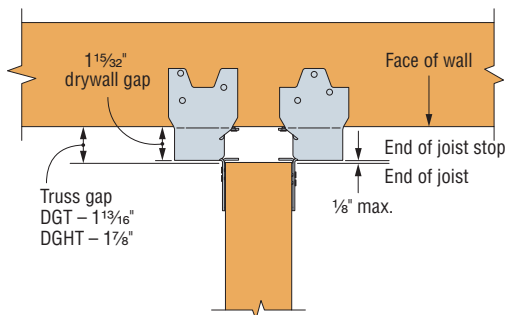
DGHT Hanger on Stud Wall with Truss
(DGT similar)



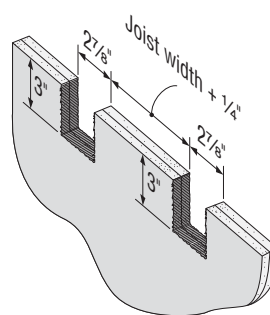
DGHT Welded with Full Backing – Side View



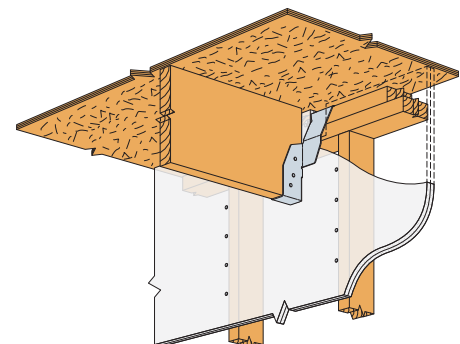
DGHT Welded Installation
(DGT similar)



DGHT Hanger Top View with Gap
(DGT similar)



Drywall Notches



DGT Hanger Installed
(DGHT similar)

Installation

- Use all specified fasteners. I-joists require web stiffeners.
- DGT/DGHT hangers are mounted like a standard top-flange hanger.
- Stud wall-plate splices must occur at a stud location.
- DGT welded to steel header with (4) $\frac{1}{8}$ " x $1\frac{1}{2}$ " fillet welds and (6) joist nails achieves a download of 1,700 lb. Face flanges require full backing.
- DGHT welded to steel header with (4) $\frac{3}{16}$ " x $1\frac{1}{2}$ " fillet welds and (6) joist nails achieves a download of 2,700 lb. Face flanges require full backing.

Options

- All DGHT models may be ordered with a skew angle of up to 45° or with one flange concealed left or right. To order, add an "X" to the model number (see illustration on p. 4).
- For the skew option, specify skew direction and angle (e.g., for a $3\frac{1}{2}$ " x 18" joist skewed 45° to the right, order as DGHT3.62/18X SKR45).
- For the concealed-flange option, simply specify left or right (e.g., DGHT3.62/18X right flange concealed). Concealed option available for widths from $3\frac{5}{8}$ "– $7\frac{1}{8}$ ".

For more information, go to strongtie.com/firewallsolutions.

Fire-Rated and Ready for Multifamily

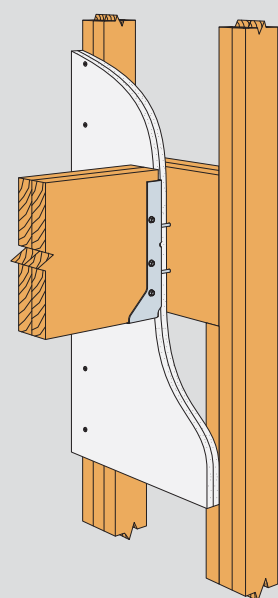
Allowable Loads on Stud Wall

Model	Ga.	Joist Depth (in.)	Fasteners (in.)			DF/SP			SPF/HF			Code Reference		
			Top	Face	Joist	Uplift (160)	Download (100/125)			Uplift (160)	Download (100/125)			
							Stud Wall	2x, 3x Nailers	(2) 2x, 4x Nailers		Stud Wall		2x, 3x Nailers	(2) 2x, 4x Nailers
DGT	12	7 1/4 to 11 1/4	(6) 0.148 x 1 1/2	(2) 0.148 x 1 1/2	(6) 0.148 x 1 1/2	500	1,650	1,650	1,650	450	1,270	1,270	1,270	IBC, FL, LA
			(6) 0.148 x 2 1/2	(4) 0.148 x 2 1/2	(6) 0.148 x 1 1/2	640	1,860	—	1,860	555	1,430	—	1,430	
DGT	12	11 7/8 to 24	(6) 0.148 x 1 1/2	(2) 0.148 x 1 1/2	(6) 0.148 x 1 1/2	500	1,620	1,620	1,620	450	1,370	1,370	1,370	
			(6) 0.148 x 2 1/2	(4) 0.148 x 2 1/2	(6) 0.148 x 1 1/2	640	1,725	—	1,725	555	1,455	—	1,455	
DGHT	10	9 1/2 to 24	(6) 0.148 x 1 1/2	(2) 0.148 x 1 1/2	(6) 0.148 x 1 1/2	660	1,995	1,995	1,995	570	1,535	1,535	1,535	
			(6) 0.148 x 2 1/2	(4) 0.148 x 2 1/2	(6) 0.148 x 1 1/2	830	2,350	—	2,350	725	1,805	—	1,805	
DGHT (over studs) ⁴	10	9 1/2 to 24	(6) 0.148 x 2 1/2	(4) 0.148 x 2 1/2	(6) 0.148 x 1 1/2	830	2,485	—	—	725	1,920	—	—	
DGHT (over studs with SDWC) ⁴			(6) 0.148 x 2 1/2	(4) 0.148 x 2 1/2	(6) 0.148 x 1 1/2	830	2,740	—	—	725	2,065	—	—	

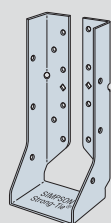
- Uplift loads have been increased for earthquake or wind loading with no further increase allowed. Reduce where other loads govern.
- Allowable loads are for 2x4 minimum stud wall or nailer. Back-to-back installations require a minimum 2x6. Wall design by designer.
- Hangers spaced closer than 16" o.c. shall reduce allowable load proportionately (e.g. for hangers spaced at 12" o.c., adjust tabulated loads by 12/16 = 0.75).
- Where "(over studs)" is listed, DGHT installation requires a minimum (2) 2x4 stud or post in the wall at hanger location. Post design by designer. Where "(over studs with SDWC)" is listed, install SDWC15600 per the figure on p. 4.
- DGHT hangers may be skewed up to 45°. Skew and concealed flange options cannot be combined. For skewed DGHT, apply 0.78 factor on hanger widths of 1 1/16"–3 3/8" and 0.57 factor on widths of 3 1/16"–7 1/4" for uplift and download. Square cut or bevel cut joist allowed. For DGHT one face flange concealed, use 0.74 of the table loads for uplift and download.
- Web stiffeners required for I-joists.
- DGT and DGHT may be installed over 5/8" maximum wood structural sheathing. For DGT, use 0.72 of the table loads for uplift and download. For DGHT, use 0.75 of table loads for uplift and download. Sheathing shall be installed flush with top of wall and fastened per code.
- Fasteners: Nail dimensions are listed diameter by length. SDWC15600 = 0.152" shank diameter x 6" long Strong-Drive SDWC Truss Screw.

Additional Fire Rated Hangers for Mid-Wall Installations and Heavier Loads

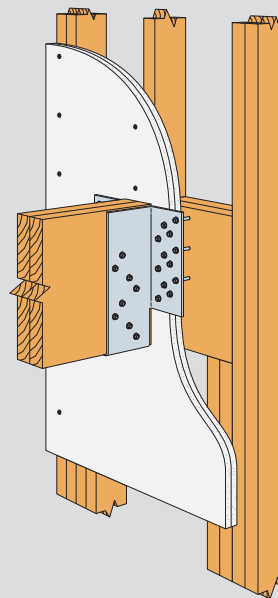
In addition to the DGT™ and DGHT™ hangers, we offer several heavy-duty, face-mount hangers that have been tested according to ASTM E814 and received a two-hour fire rating. This rating verifies that these hangers do not reduce the two-hour fire wall assembly rating. These hangers can be installed over two layers of 5/8" drywall. For installation and allowable loads for these hangers, refer to engineering letter L-C-FACEMNTFW on strongtie.com.



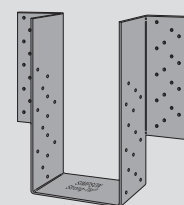
HUCQ Installed Over Two Layers of 5/8" Drywall



HUCQ



MGU Installed Over Two Layers of 5/8" Drywall



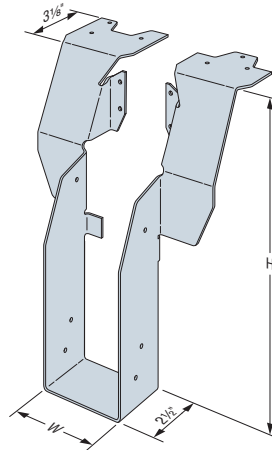
HHGU
(LGU, MGU and HGU similar)

Fire-Rated and Ready for Multifamily

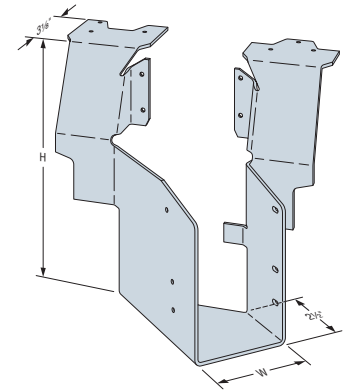


DGT™/DGHT™ Models

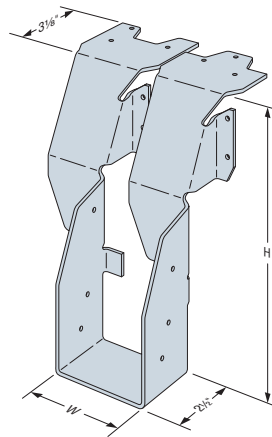
Joist Size (in.)	DGT (12 Ga.) Model No.	DGHT (10 Ga.) Model No.	W (in.)	H (in.)
2x8	DGT28	—	1 1/8	7 1/8
2x10	DGT210	—	1 1/8	9 1/8
2x12	DGT212	—	1 1/8	11 1/8
1 3/4 x 9 1/2	DGT1.81/9.5	DGHT1.81/9.5	1 13/16	9 7/16
1 3/4 x 11 7/8	DGT1.81/11.88	DGHT1.81/11.88	1 13/16	11 13/16
1 3/4 x 14	DGT1.81/14	DGHT1.81/14	1 13/16	13 15/16
1 3/4 x 16	DGT1.81/16	DGHT1.81/16	1 13/16	15 15/16
2 x 9 1/2	DGT2.1/9.5	DGHT2.1/9.5	2 1/8	9 7/16
2 x 11 7/8	DGT2.1/11.88	DGHT2.1/11.88	2 1/8	11 13/16
2 x 14	DGT2.1/14	DGHT2.1/14	2 1/8	13 15/16
2 x 16	DGT2.1/16	DGHT2.1/16	2 1/8	15 15/16
2 1/8 x 9 1/2	DGT2.1/9.5	DGHT2.1/9.5	2 1/8	9 7/16
2 1/8 x 11 7/8	DGT2.1/11.88	DGHT2.1/11.88	2 1/8	11 13/16
2 1/8 x 14	DGT2.1/14	DGHT2.1/14	2 1/8	13 15/16
2 1/8 x 16	DGT2.1/16	DGHT2.1/16	2 1/8	15 15/16
2 3/8 x 9 1/2	DGT2.37/9.5	DGHT2.37/9.5	2 3/8	9 7/16
2 3/8 x 11 7/8	DGT2.37/11.88	DGHT2.37/11.88	2 3/8	11 13/16
2 3/8 x 14	DGT2.37/14	DGHT2.37/14	2 3/8	13 15/16
2 3/8 x 16	DGT2.37/16	DGHT2.37/16	2 3/8	15 15/16
2 3/8 x 18	DGT2.37/18	DGHT2.37/18	2 3/8	17 13/16
2 3/8 x 20	DGT2.37/20	DGHT2.37/20	2 3/8	19 13/16
2 1/2 x 9 1/2	DGT2.56/9.5	DGHT2.56/9.5	2 1/2	9 7/16
2 1/2 x 11 7/8	DGT2.56/11.88	DGHT2.56/11.88	2 1/2	11 13/16
2 1/2 x 14	DGT2.56/14	DGHT2.56/14	2 1/2	13 15/16
2 1/2 x 16	DGT2.56/16	DGHT2.56/16	2 1/2	15 15/16
2 1/2 x 18	DGT2.56/18	DGHT2.56/18	2 1/2	17 13/16
2 1/2 x 20	DGT2.56/20	DGHT2.56/20	2 1/2	19 13/16
2 1/2 x 22	DGT2.56/22	DGHT2.56/22	2 1/2	21 13/16
2 1/2 x 24	DGT2.56/24	DGHT2.56/24	2 1/2	23 13/16
3 1/2 x 9 1/4	DGT3.62/9.25	DGHT3.62/9.25	3 1/2	9 3/4
3 1/2 x 9 1/2	DGT3.62/9.5	DGHT3.62/9.5	3 1/2	9 7/8
3 1/2 x 11 1/4	DGT3.62/11.25	DGHT3.62/11.25	3 1/2	11 3/4
3 1/2 x 11 7/8	DGT3.62/11.88	DGHT3.62/11.88	3 1/2	11 13/16
3 1/2 x 14	DGT3.62/14	DGHT3.62/14	3 1/2	13 15/16
3 1/2 x 16	DGT3.62/16	DGHT3.62/16	3 1/2	15 15/16
3 1/2 x 18	DGT3.62/18	DGHT3.62/18	3 1/2	17 13/16
3 1/2 x 20	DGT3.62/20	DGHT3.62/20	3 1/2	19 13/16
3 1/2 x 22	DGT3.62/22	DGHT3.62/22	3 1/2	21 13/16
3 1/2 x 24	DGT3.62/24	DGHT3.62/24	3 1/2	23 13/16
5 1/4 x 11 7/8	—	DGHT5.37/11.88	5 1/4	11 13/16
5 1/4 x 14	—	DGHT5.37/14	5 1/4	13 15/16
5 1/4 x 16	—	DGHT5.37/16	5 1/4	15 15/16
5 1/4 x 18	—	DGHT5.37/18	5 1/4	17 13/16
5 1/4 x 20	—	DGHT5.37/20	5 1/4	19 13/16
5 1/4 x 22	—	DGHT5.37/22	5 1/4	21 13/16
5 1/4 x 24	—	DGHT5.37/24	5 1/4	23 13/16
5 1/8 glulam	—	DGHT5.25	5 1/8	SPEC
5 1/2 glulam and 6x H = XX-XX	—	DGHT5.56	5 1/2	SPEC
6 3/4 glulam	—	DGHT6.88	6 3/4	SPEC
7 x 11 7/8	—	DGHT7.12/11.88	7 1/8	11 13/16
7 x 14	—	DGHT7.12/14	7 1/8	13 15/16
7 x 16	—	DGHT7.12/16	7 1/8	15 15/16
7 x 18	—	DGHT7.12/18	7 1/8	17 13/16
7 x 20	—	DGHT7.12/20	7 1/8	19 13/16
7 x 22	—	DGHT7.12/22	7 1/8	21 13/16
7 x 24	—	DGHT7.12/24	7 1/8	23 13/16



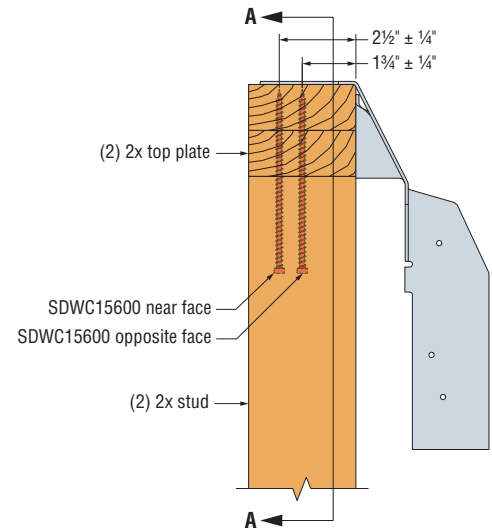
DGT Fire Wall Hanger
(DGHT similar)



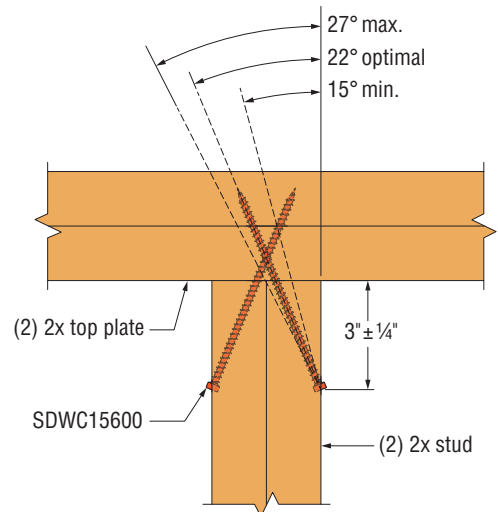
DGHT Skewed Right Shown
(Square-cut or bevel-cut joist allowed)



DGHT Installation with Right Flange Concealed
(Left similar)



DGHT (over studs with SDWC)



Section A-A Installation Angle Range
(DGHT not shown for clarity)

For more information about the DGT/DGHT hangers, see engineering letter L-C-DGFDGTSUB on strongtie.com.

June 9, 2023

Re: DGF to DGT Substitutions

To Whom It May Concern:

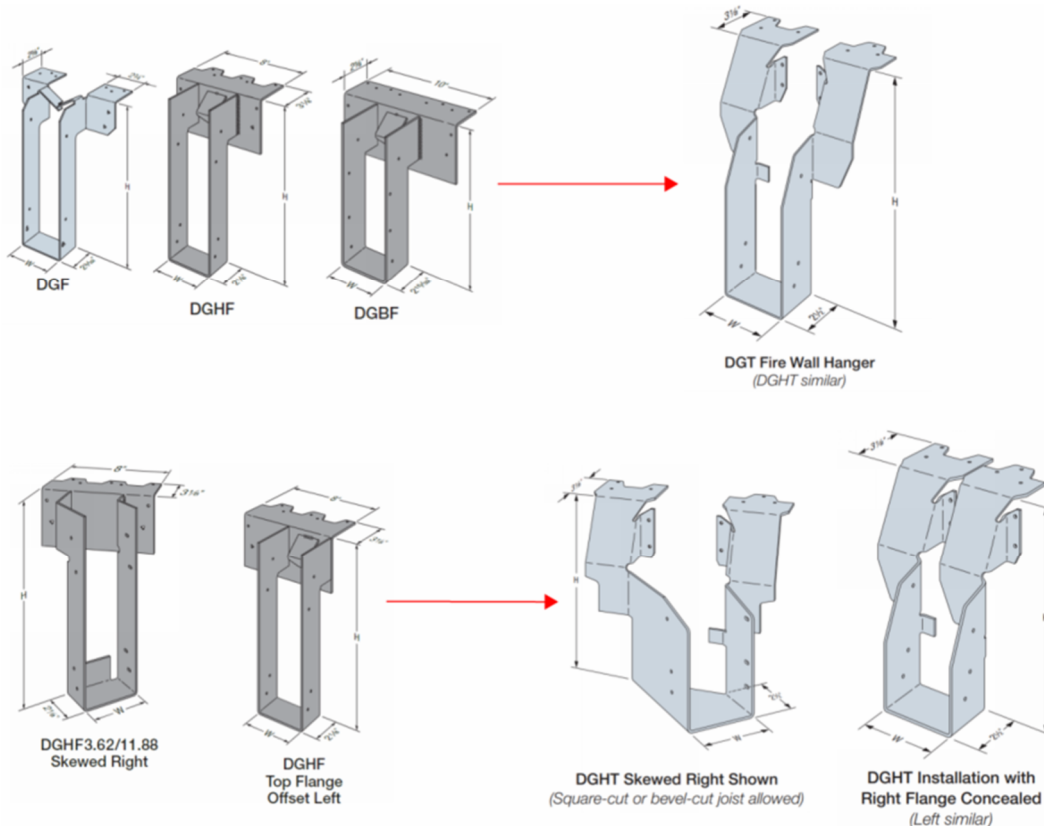
For easier conversion from the DGF to DGT series hangers, Simpson Strong-Tie has created the substitution Table 1 below. If the font is black for the substitution model, the DGT or DGHT allowable loads are equal to or greater than the corresponding DGF, DGHF or DGBF model. If the font is red for the substitution model, the loads are lower and the difference is defined in the table footnotes. On the following page 2, Table 2 allows for the convenient cross reference of each specific DGF model to the new DGT Series model number.

DGF to DGT Substitution Table

Model	Replacement
DGF	DGT
DGHF	DGHT
DGBF (over studs)	DGHT (over studs) ¹
DGHF (skew ed)	DGHT (skewed)
DGHF (offset)	DGHT (one flange concealed) ²

1. DGHT (over studs) allow able dow nload is 0.82 x DGBF (over studs). DGHT (over studs with SDWC) allow able dow nload is 0.91 x DGBF (over studs). Allow able uplift load is 0.80 x DGBF (over studs). See F-C-DGTHANGER fier. Alternatively, for higher allow able loads, HUCQ, LGU or MGU hangers may be installed over 2 layers of dryw all. See L-C-FACEMNTFW Engineering Letter.

2. DGHT (one flange concealed) allow able load is 0.87 x DGHF (offset). Uplift allow able load is 0.95 x DGHF (offset). See F-C-DGTHANGER fier. Alternatively, for higher allow able loads, HUCQ and LGU (one flange concealed) may be installed over 2 layers of dryw all. See L-C-FACEMNTFW Engineering Letter.



DGF-DGT Substitution Model List

Joist Size	DGF Model	DGT Substitution Model	DGHF Model	DGHF Model	DGHT Substitution Model
2x8	DGF28	DGT28	—	—	—
2x10	DGF210	DGT210	—	—	—
2x12	DGF212	DGT212	—	—	—
1¼ x 9½	DGF1.81/9.5	DGT1.81/9.5	DGHF1.81/9.5	—	DGHT1.81/9.5
1¼ x 11½	DGF1.81/11.88	DGT1.81/11.88	DGHF1.81/11.88	—	DGHT1.81/11.88
1¼ x 14	DGF1.81/14	DGT1.81/14	DGHF1.81/14	—	DGHT1.81/14
1¼ x 16	DGF1.81/16	DGT1.81/16	DGHF1.81/16	—	DGHT1.81/16
2 x 9½	DGF2.1/9.5	DGT2.1/9.5	DGHF2.1/9.5	—	DGHT2.1/9.5
2 x 11½	DGF2.1/11.88	DGT2.1/11.88	DGHF2.1/11.88	—	DGHT2.1/11.88
2 x 14	DGF2.1/14	DGT2.1/14	DGHF2.1/14	—	DGHT2.1/14
2 x 16	DGF2.1/16	DGT2.1/16	DGHF2.1/16	—	DGHT2.1/16
2½ x 9½	DGF2.1/9.5	DGT2.1/9.5	DGHF2.1/9.5	—	DGHT2.1/9.5
2½ x 11½	DGF2.1/11.88	DGT2.1/11.88	DGHF2.1/11.88	—	DGHT2.1/11.88
2½ x 14	DGF2.1/14	DGT2.1/14	DGHF2.1/14	—	DGHT2.1/14
2½ x 16	DGF2.1/16	DGT2.1/16	DGHF2.1/16	—	DGHT2.1/16
2⅝ x 9½	DGF2.37/9.5	DGT2.37/9.5	DGHF2.37/9.5	—	DGHT2.37/9.5
2⅝ x 11½	DGF2.37/11.88	DGT2.37/11.88	DGHF2.37/11.88	—	DGHT2.37/11.88
2⅝ x 14	DGF2.37/14	DGT2.37/14	DGHF2.37/14	—	DGHT2.37/14
2⅝ x 16	DGF2.37/16	DGT2.37/16	DGHF2.37/16	—	DGHT2.37/16
2⅝ x 18	DGF2.37/18	DGT2.37/18	DGHF2.37/18	—	DGHT2.37/18
2⅝ x 20	DGF2.37/20	DGT2.37/20	DGHF2.37/20	—	DGHT2.37/20
2½ x 9½	DGF2.56/9.5	DGT2.56/9.5	DGHF2.56/9.5	—	DGHT2.56/9.5
2½ x 11½	DGF2.56/11.88	DGT2.56/11.88	DGHF2.56/11.88	—	DGHT2.56/11.88
2½ x 14	DGF2.56/14	DGT2.56/14	DGHF2.56/14	—	DGHT2.56/14
2½ x 16	DGF2.56/16	DGT2.56/16	DGHF2.56/16	—	DGHT2.56/16
2½ x 18	DGF2.56/18	DGT2.56/18	DGHF2.56/18	—	DGHT2.56/18
2½ x 20	DGF2.56/20	DGT2.56/20	DGHF2.56/20	—	DGHT2.56/20
2½ x 22	DGF2.56/22	DGT2.56/22	DGHF2.56/22	—	DGHT2.56/22
2½ x 24	DGF2.56/24	DGT2.56/24	DGHF2.56/24	—	DGHT2.56/24
3½ x 9½	DGF3.62/9.5	DGT3.62/9.5	DGHF3.62/9.5	DGBF3.62/9.5	DGHT3.62/9.5
3½ x 11½	DGF3.62/11.25	DGT3.62/11.25	DGHF3.62/11.25	DGBF3.62/11.25	DGHT3.62/11.25
3½ x 11½	DGF3.62/11.88	DGT3.62/11.88	DGHF3.62/11.88	DGBF3.62/11.88	DGHT3.62/11.88
3½ x 14	DGF3.62/14	DGT3.62/14	DGHF3.62/14	DGBF3.62/14	DGHT3.62/14
3½ x 16	DGF3.62/16	DGT3.62/16	DGHF3.62/16	DGBF3.62/16	DGHT3.62/16
3½ x 18	DGF3.62/18	DGT3.62/18	DGHF3.62/18	DGBF3.62/18	DGHT3.62/18
3½ x 20	DGF3.62/20	DGT3.62/20	DGHF3.62/20	DGBF3.62/20	DGHT3.62/20
3½ x 22	DGF3.62/22	DGT3.62/22	DGHF3.62/22	DGBF3.62/22	DGHT3.62/22
3½ x 24	DGF3.62/24	DGT3.62/24	DGHF3.62/24	DGBF3.62/24	DGHT3.62/24
5¼ x 11½	—	—	—	DGBF5.37/11.88	DGHT5.37/11.88
5¼ x 14	—	—	—	DGBF5.37/14	DGHT5.37/14
5¼ x 16	—	—	—	DGBF5.37/16	DGHT5.37/16
5¼ x 18	—	—	—	DGBF5.37/18	DGHT5.37/18
5¼ x 20	—	—	—	DGBF5.37/20	DGHT5.37/20
5¼ x 22	—	—	—	DGBF5.37/22	DGHT5.37/22
5¼ x 24	—	—	—	DGBF5.37/24	DGHT5.37/24
5¼ glulam	—	—	—	DGBF5.25	DGHT5.25
5¼ glulam and 6x H=XX-XX	—	—	—	DGBF5.56	DGHT5.56
6¼ glulam	—	—	—	DGBF6.88	DGHT6.88
7 x 11½	—	—	—	DGBF7.12/11.88	DGHT7.12/11.88
7 x 14	—	—	—	DGBF7.12/14	DGHT7.12/14
7 x 16	—	—	—	DGBF7.12/16	DGHT7.12/16
7 x 18	—	—	—	DGBF7.12/18	DGHT7.12/18
7 x 20	—	—	—	DGBF7.12/20	DGHT7.12/20
7 x 22	—	—	—	DGBF7.12/22	DGHT7.12/22
7 x 24	—	—	—	DGBF7.12/24	DGHT7.12/24

The information in this letter is valid until **12/31/23** when it will be re-evaluated by Simpson Strong-Tie. Please visit strongtie.com for additional pertinent information. If you have questions or need further assistance regarding this matter, please contact the Simpson Strong-Tie engineering department at 800.999.5099.

Sincerely,
SIMPSON STRONG-TIE COMPANY INC.