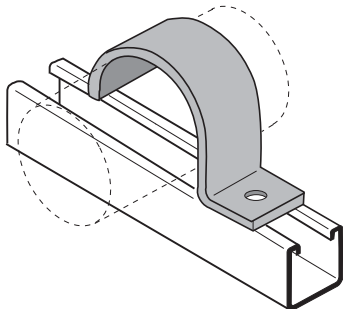


TUBING CLAMPS & PIPE STRAPS

FS-7730 Series ONE-HOLE TUBING CLAMPS

Use with any 1-5/8" wide channel

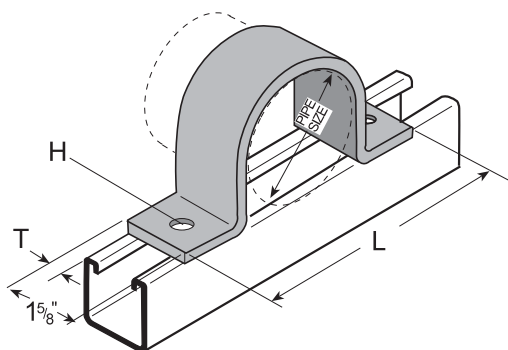


Requires FS-7401 (hex head cap screw) and FS-1/4RS (channel nut); order separately.

Cat. No.	O.D. Tube Size	#/Cpc
FS-7730-1/4	1/4"	4
FS-7730-5/16	5/16"	5
FS-7730-3/8	3/8"	5
FS-7730-1/2	1/2"	6
FS-7730-5/8	5/8"	8
FS-7730-3/4	3/4"	9
FS-7730-7/8	7/8"	10
FS-7730-1	1"	11

Standard Finish – electro-galvanized (Available in Stainless Steel)

FS-7870 Series STANDARD PIPE STRAPS

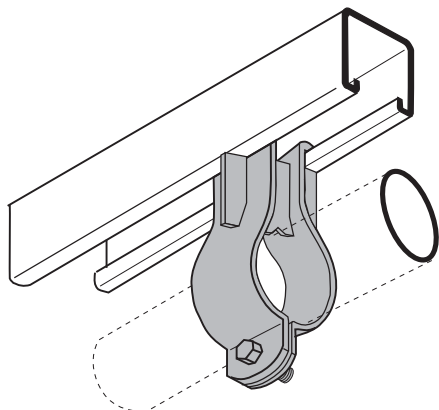


Requires hex head cap screw and channel nuts; order separately.

Standard Finish – electro-galvanized
Available in Stainless Steel

Cat. No.	Pipe Size	"L" Length	"T" Material Thickness	"H" Hole Size	#/Cpc
FS-7870-1/2	1/2"	3"	1/8"	9/32"	24
FS-7870-3/4	3/4"	3-1/4"	1/8"	9/32"	28
FS-7870-1	1"	3-9/16"	1/8"	9/32"	32
FS-7870-1-1/4	1-1/4"	3-13/16"	1/8"	9/32"	35
FS-7870-1-1/2	1-1/2"	4-1/16"	1/8"	9/32"	40
FS-7870-2	2"	5-13/16"	1/4"	7/16"	95
FS-7870-2-1/2	2-1/2"	6-1/4"	1/4"	7/16"	116
FS-7870-3	3"	7"	1/4"	7/16"	135
FS-7870-3-1/2	3-1/2"	7-7/8"	1/4"	7/16"	155
FS-7870-4	4"	8"	1/4"	7/16"	180
FS-7870-5	5"	9-1/8"	1/4"	7/16"	195
FS-7870-6	6"	10-5/16"	1/4"	7/16"	240

FS-7880 Series PARALLEL PIPE CLAMPS



Standard Finish – electro-galvanized

Cat. No.	Pipe Size	Material Thickness	Allowable Load	#/Cpc
FS-7880-3/8	3/8"	16 Ga.	300#	24
FS-7880-1/2	1/2"	16 Ga.	300#	25
FS-7880-3/4	3/4"	14 Ga.	300#	31
FS-7880-1	1"	14 Ga.	400#	32
FS-7880-1-1/4	1-1/4"	14 Ga.	400#	37
FS-7880-1-1/2	1-1/2"	12 Ga.	500#	49
FS-7880-2	2"	12 Ga.	500#	52
FS-7880-2-1/2	2-1/2"	12 Ga.	500#	59
FS-7880-3	3"	12 Ga.	500#	65
FS-7880-3-1/2	3-1/2"	11 Ga.	500#	81
FS-7880-4	4"	11 Ga.	500#	88