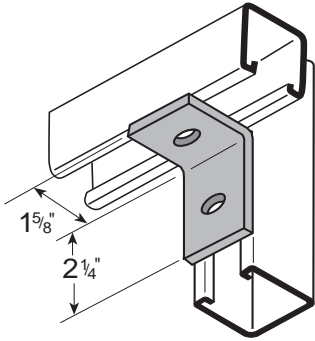


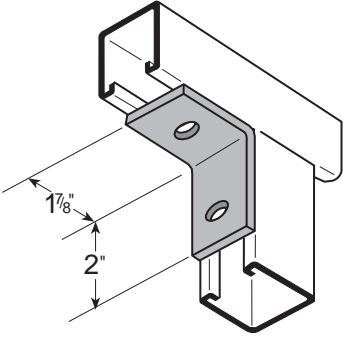
# 90° ANGLE FITTINGS

38#/Cpc



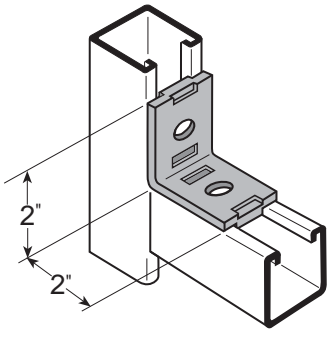
**FS-5102**  
TWO HOLE CORNER

38#/Cpc



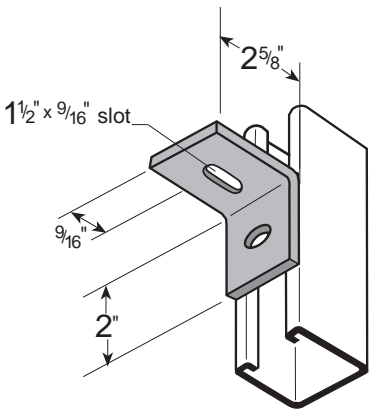
**FS-5103**  
TWO HOLE CORNER

38#/Cpc



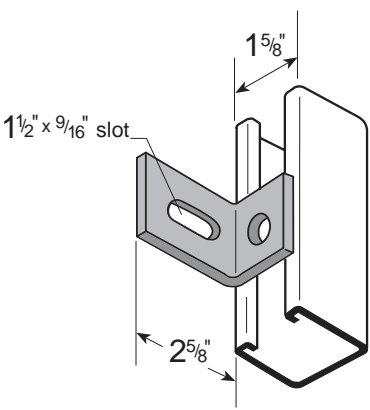
**FS-5104**  
TWO HOLE INDENTED

43#/Cpc

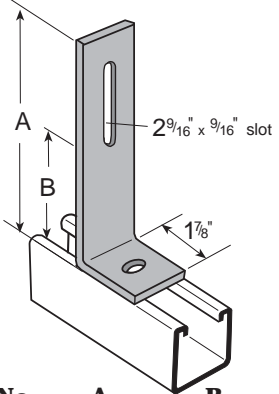


**FS-5105**  
ADJUSTMENT ANGLE

38#/Cpc



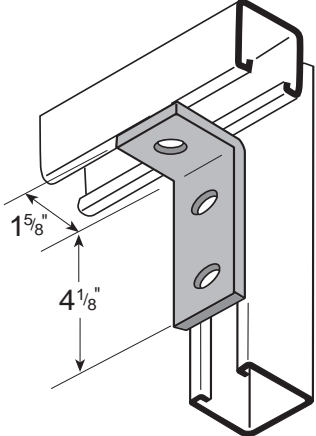
**FS-5106**  
ADJUSTMENT ANGLE



Parts No.	A	B	WT/C
FS-5107	4-7/8"	1-1/4"	65#
FS-5108	6-7/8"	3-1/4"	85#

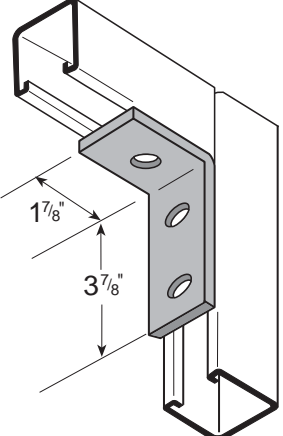
**FS-5107 & FS-5108**  
ADJUSTMENT ANGLE

58#/Cpc



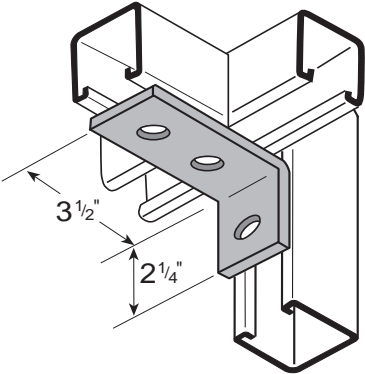
**FS-5112**  
THREE HOLE CORNER

58#/Cpc



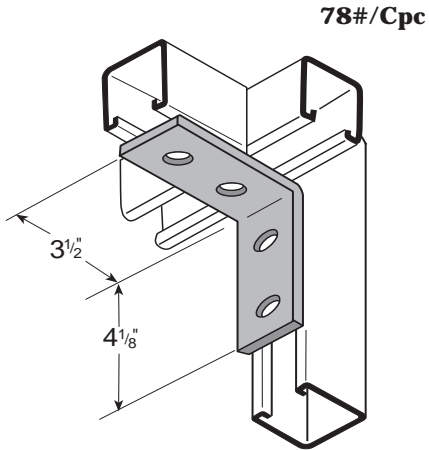
**FS-5113**  
THREE HOLE CORNER

58#/Cpc

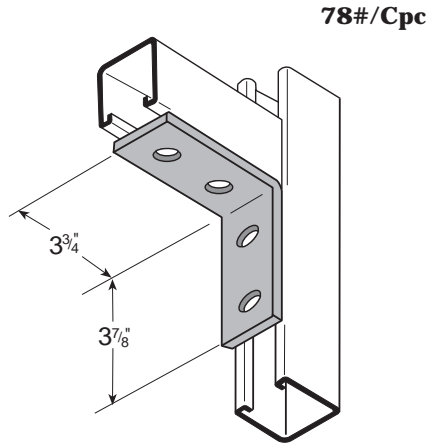


**FS-5115**  
THREE HOLE CORNER

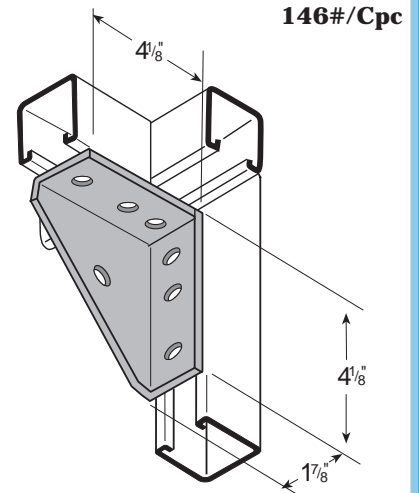
Thickness = 1/4" • Width = 1 5/8" • Hole Diameter = 9/16" • Hole Spacing = 1 7/8" • Edge Distance = 13/16"



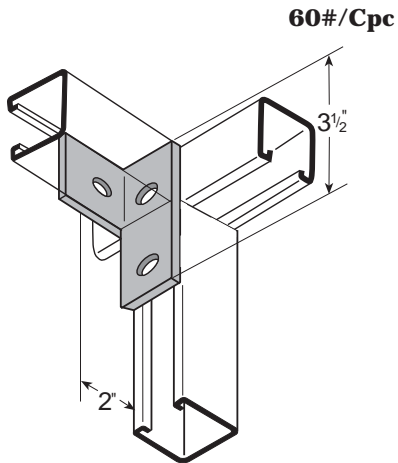
**FS-5123**  
FOUR HOLE CORNER



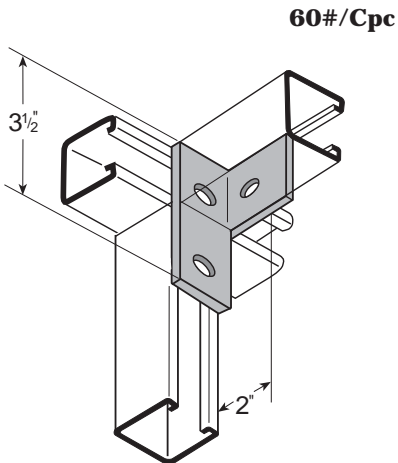
**FS-5125**  
FOUR HOLE CORNER



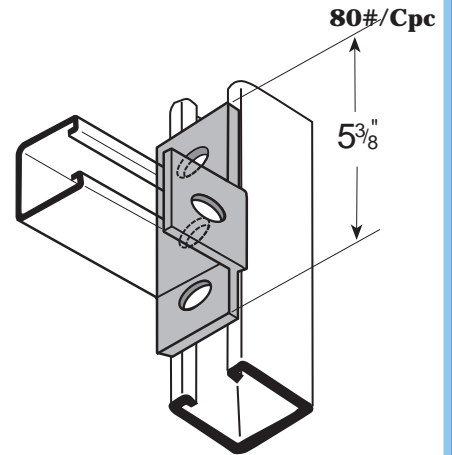
**FS-5124**  
UNIVERSAL CORNER



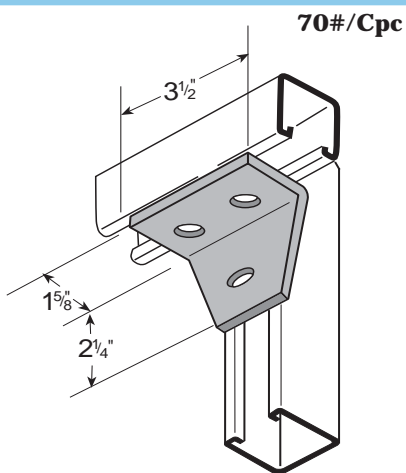
**FS-5135**  
OFFSET TEE ANGLE (LEFT HAND)



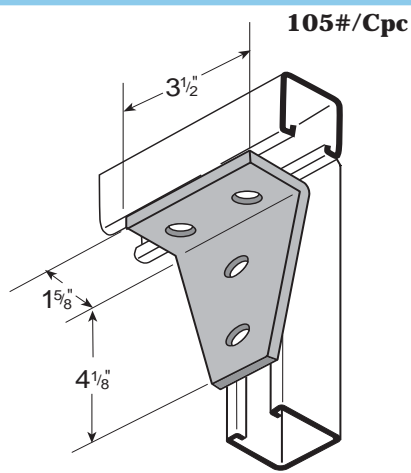
**FS-5136**  
OFFSET TEE ANGLE (RIGHT HAND)



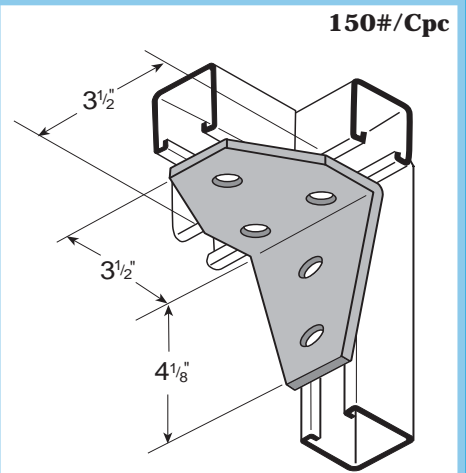
**FS-5120**  
TEE ANGLE



**FS-5110**  
THREE HOLE CONNECTOR



**FS-5109**  
FOUR HOLE CONNECTOR



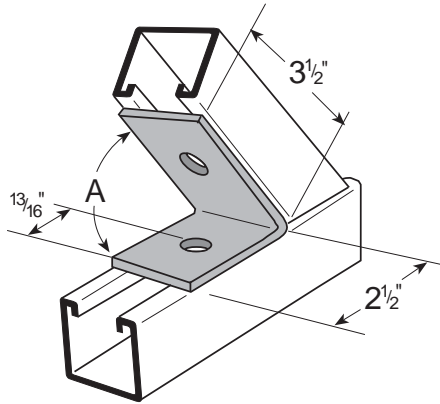
**FS-5117**  
FIVE HOLE CORNER

Thickness = 1/4" • Width = 1 5/8" • Hole Diameter = 9/16" • Hole Spacing = 1 7/8" • Edge Distance = 13/16"

# ANGULAR FITTINGS

58#/Cpc

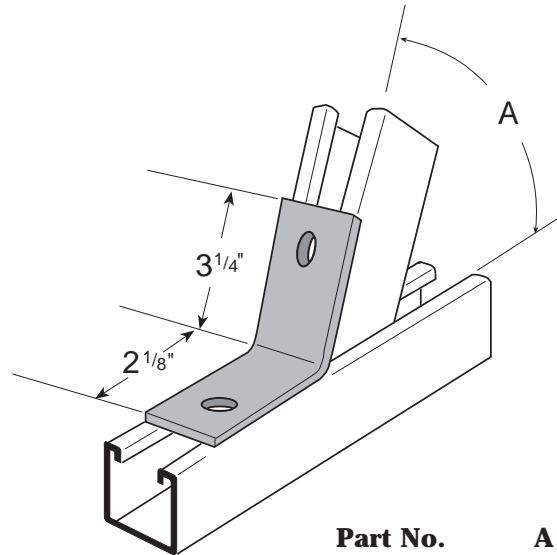
## FS-5142 CLOSED TWO HOLE CLOSED



Part No.	A
FS-5142-45	45°
FS-5142-60	60°

57#/Cpc

## FS-5143 OPEN TWO HOLE OPEN

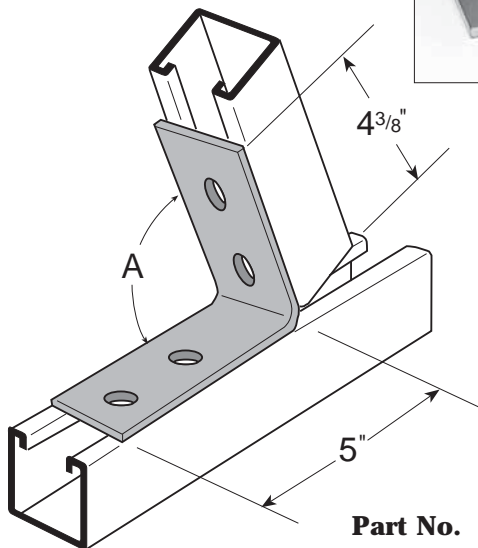


Part No.	A
FS-5143-30	30°
FS-5143-45	45°
FS-5143-60	60°



78#/Cpc

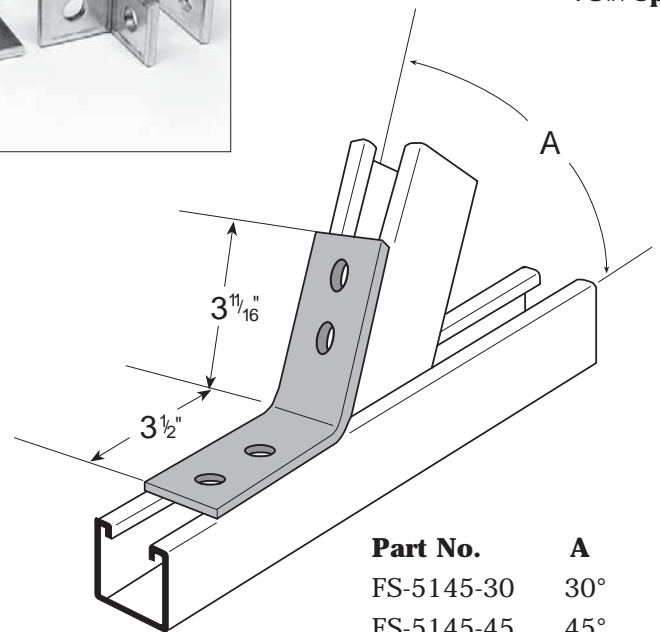
## FS-5144 CLOSED FOUR HOLE CLOSED



Part No.	A
FS-5144-45	45°
FS-5144-60	60°

78#/Cpc

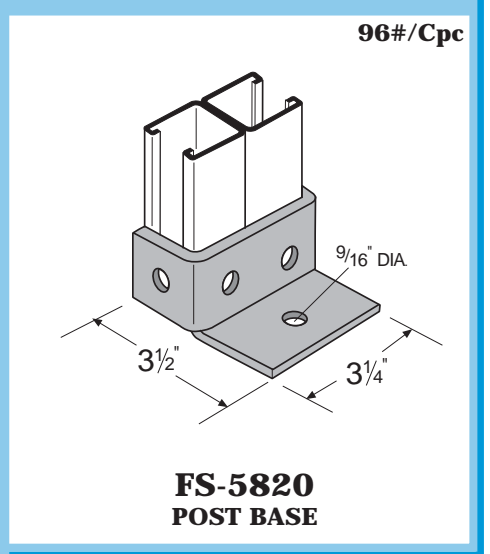
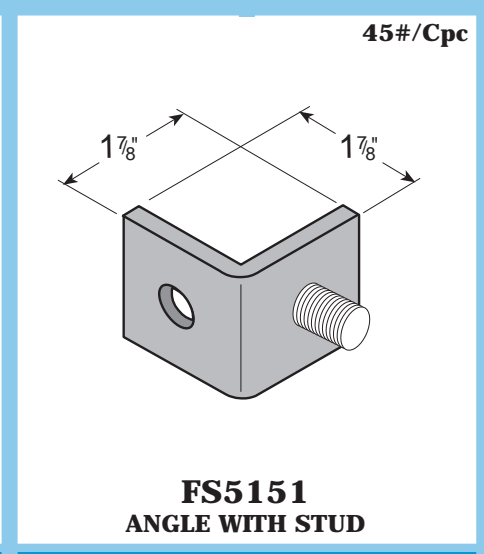
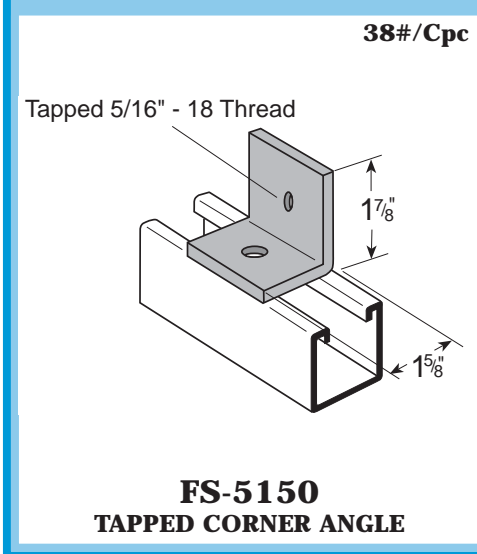
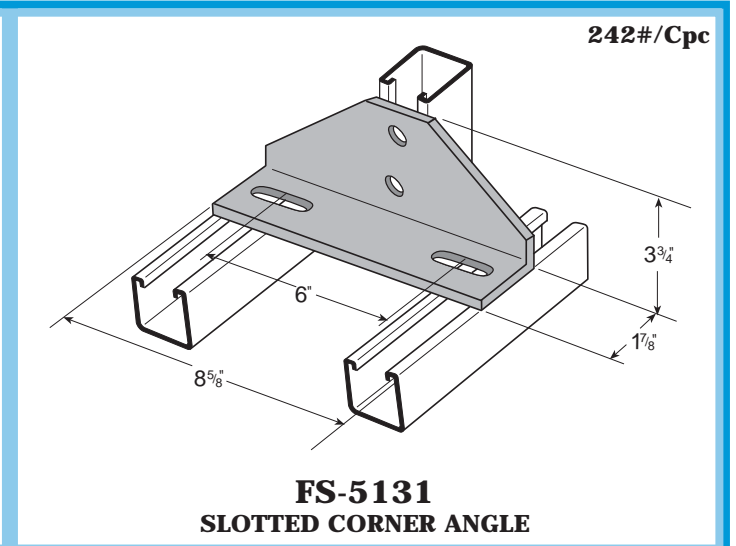
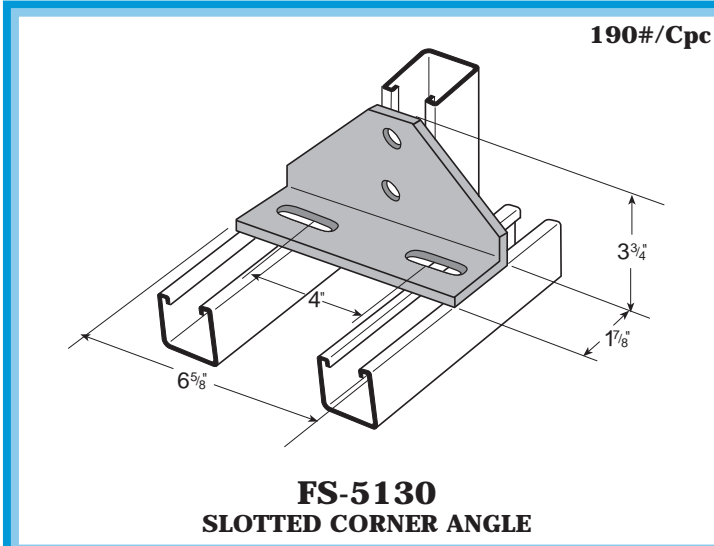
## FS-5145 OPEN FOUR HOLE OPEN



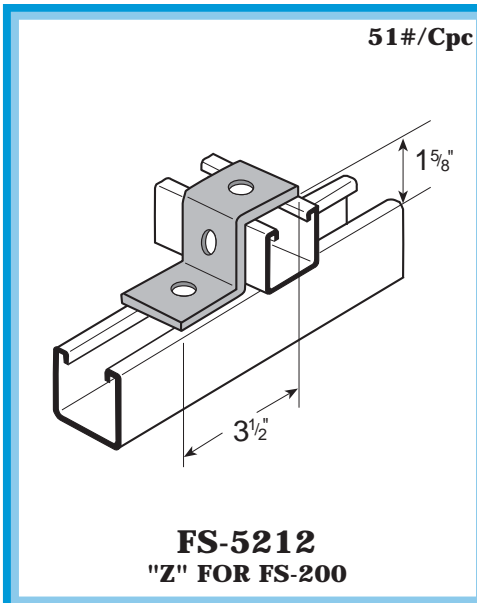
Part No.	A
FS-5145-30	30°
FS-5145-45	45°
FS-5145-60	60°

Thickness = 1/4" • Width = 1 5/8" • Hole Diameter = 9/16" • Hole Spacing = 1 7/8" • Edge Distance = 13/16"

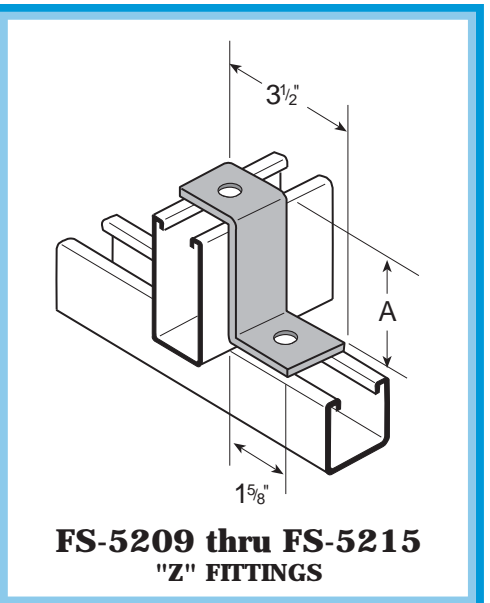
## MISCELLANEOUS ANGLES



## "Z" FITTINGS



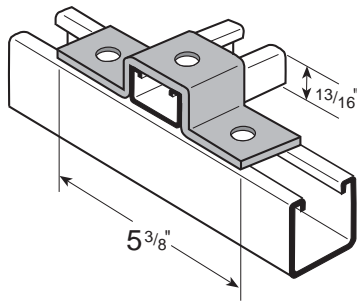
Part No.	A	Channel	#/Cpc
FS-5209	4-7/8"	FS-151	93
FS-5210	3-1/4"	{ FS-100	70
		{ FS-201	
FS-5211	2-7/16"	FS-150	66
FS-5213	1-3/8"	FS-300	52
FS-5214	1"	FS-400	48
FS-5215	13/16"	{ FS-500	47
		{ FS-520	



Thickness = 1/4" • Width = 1 5/8" • Hole Diameter = 9/16" • Hole Spacing = 1 7/8" • Edge Distance = 13/16"

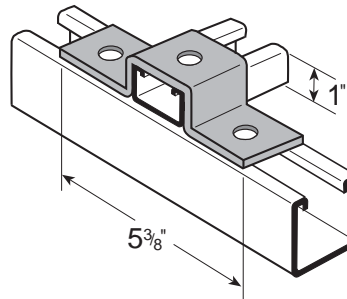
# "U" FITTINGS

70#/Cpc



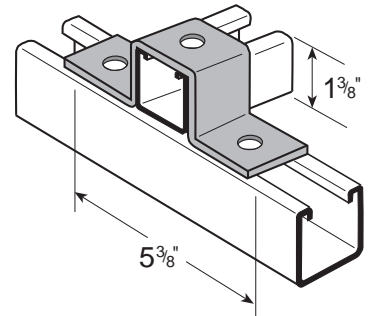
**FS-5311-1**  
"U" FITTING FOR FS-500

75#/Cpc



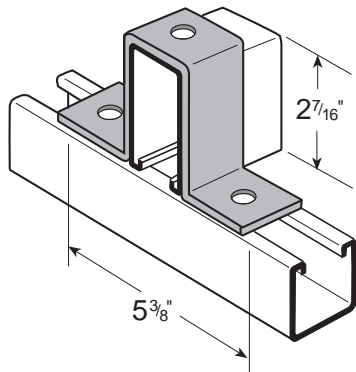
**FS-5311-2**  
"U" FITTING FOR FS-400

85#/Cpc



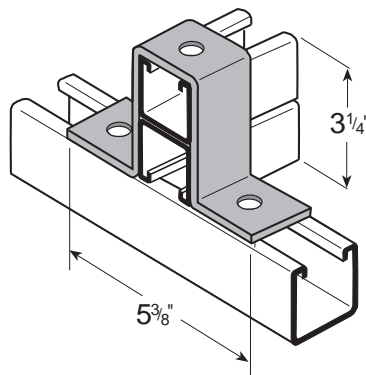
**FS-5311-3**  
"U" FITTING FOR FS-300

110#/Cpc



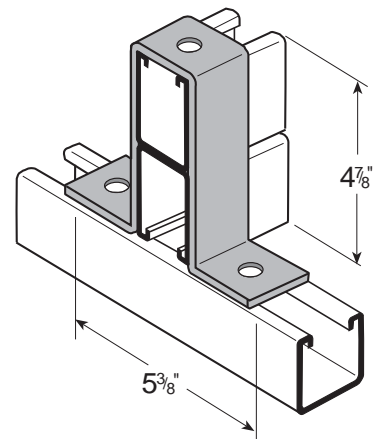
**FS-5311-4**  
"U" FITTING FOR FS-150

128#/Cpc



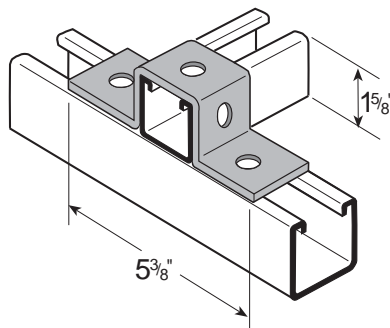
**FS-5311-5**  
"U" FITTING FOR FS-100/201

155#/Cpc



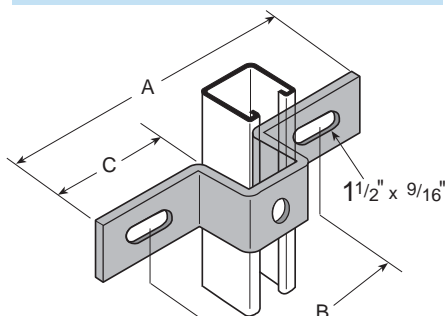
**FS-5311-6**  
"U" FITTING FOR FS-151

88#/Cpc



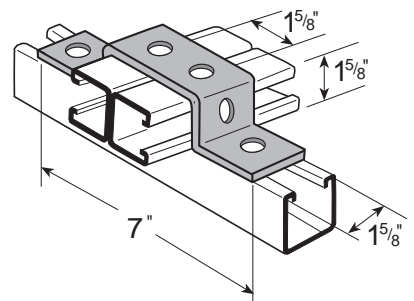
**FS-5312**  
"U" FITTING FOR FS-200

Part No.	A	B	#/Cpc
FS-5307	7-1/4"	4-1/8"	103
FS-5308	8-1/2"	5-3/8"	115
FS-5310	10-3/8"	7-1/4"	135



**FS-5307 thru FS-5310**  
SLOTTED "U" FITTING

105#/Cpc



**FS-5317**  
SIX HOLE "U" SUPPORT

Thickness = 1/4" • Width = 1 5/8" • Hole Diameter = 9/16" • Hole Spacing = 1 7/8" • Edge Distance = 13/16"