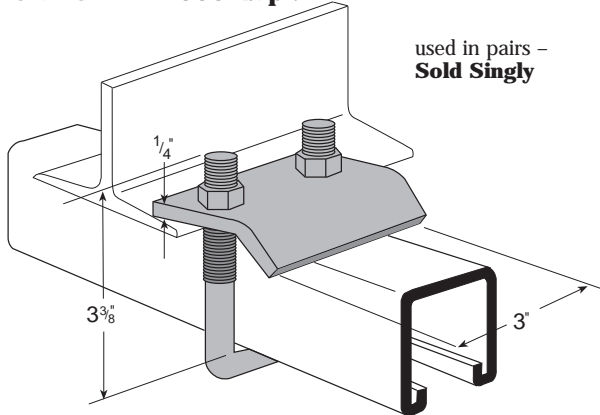
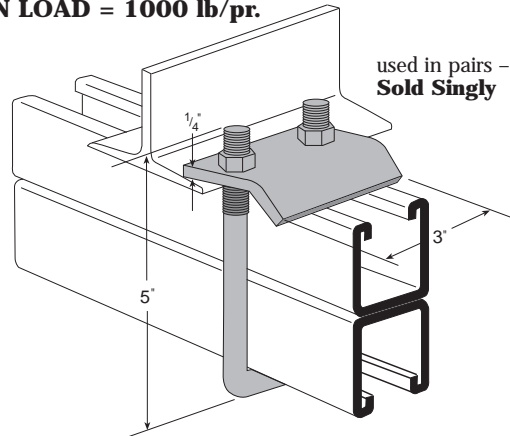


**87#/Cpc**  
**DESIGN LOAD = 1000 lb/pr.**

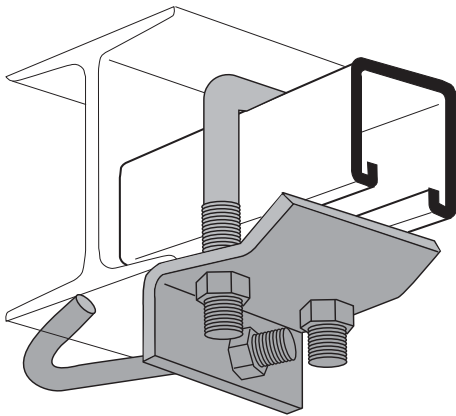


**FS-5709**  
**"U" BOLT BEAM CLAMP FOR FS-200**

**93#/Cpc**  
**DESIGN LOAD = 1000 lb/pr.**

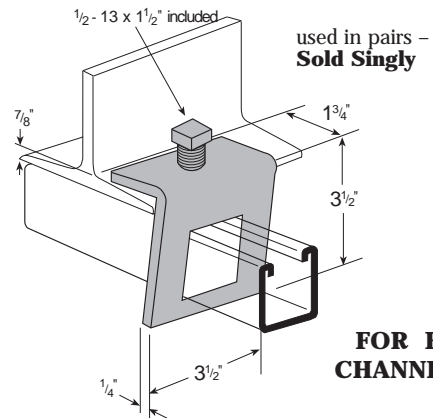


**FS-5708**  
**"U" BOLT BEAM CLAMP FOR FS-201**



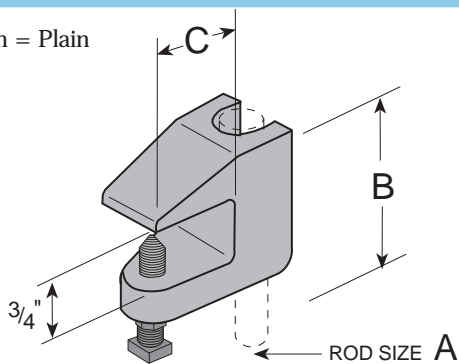
**FS-5709-J6 130#/Cpc**  
**FS-5709-J12 143#/Cpc**  
**"U" BOLT BEAM CLAMP WITH J-HOOK**

**105#/Cpc**  
**DESIGN LOAD = 900 lb/pr.**



**FS-5702**  
**WINDOW BEAM CLAMP**

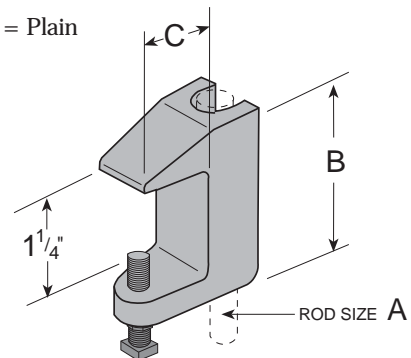
STD. Finish = Plain



Part No.	A	B	C	#/Cpc	Load
FS-5710-3/8	3/8"	1-1/2"	15/16"	34#	400#
FS-5710-1/2	1/2"	1-1/2"	15/16"	34#	500#

**FS-5710**  
**WEDGE C-CLAMP**

STD. Finish = Plain



Part No.	A	B	C	#/Cpc	Load
FS-5711-3/8	3/8"	1-7/8"	15/16"	37#	400#
FS-5711-1/2	1/2"	1-7/8"	15/16"	37#	500#

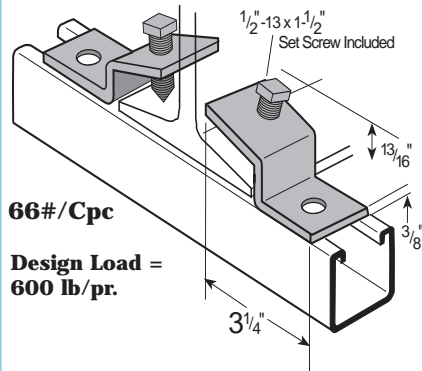
**FS-5711**  
**WEDGE C-CLAMP**

• Standard Fitting Finish = Electro-Galvanized (Plated), Unless Otherwise Noted •

# BEAM CLAMPS

Requires:  
FS-7410 HHCS  
FS-1/2 RS Channel Nut  
Sold Separately

used in pairs –  
**Sold Singly**



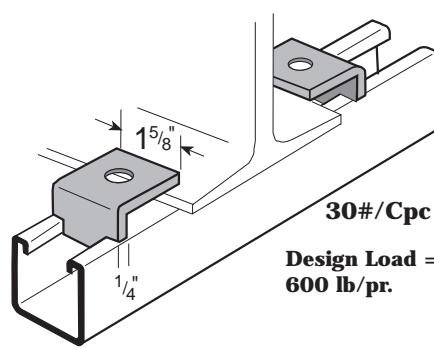
66#/Cpc

Design Load =  
600 lb/pr.

**FS-5712**  
**FLANGE BEAM CLAMP**  
**"Z" WITH SET SCREW**

Requires:  
FS-7411 HHCS  
FS-1/2 RS Channel Nut  
Sold Separately

used in pairs –  
**Sold Singly**



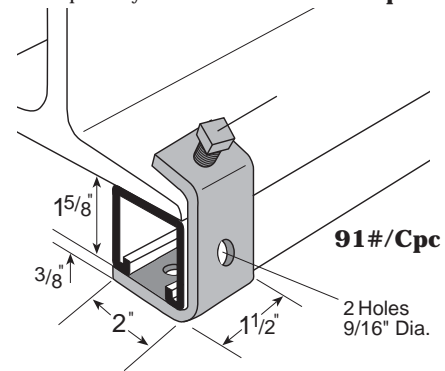
30#/Cpc

Design Load =  
600 lb/pr.

**FS-5713**  
**CHANNEL-TO-FLANGE**  
**ONE-HOLE BEAM CLAMP**

Requires:  
FS-7410 HHCS  
FS-1/2 RS Channel Nut  
Sold Separately

used in pairs –  
**Sold Singly**  
**Design Load =**  
**1000 lb/pr.**



91#/Cpc

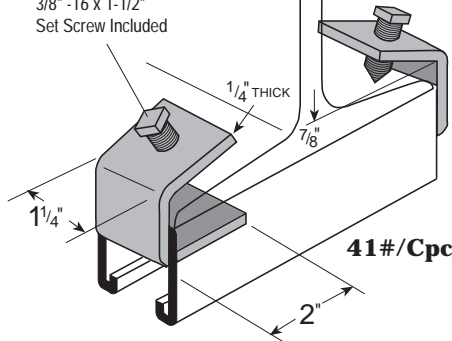
2 Holes  
9/16" Dia.

**FS-5714**  
**CHANNEL-TO-FLANGE**  
**TWO-HOLE BEAM CLAMP**

used in pairs –  
**Sold Singly**

**Design Load = 450 lb/pr.**

3/8" -16 x 1-1/2"  
Set Screw Included



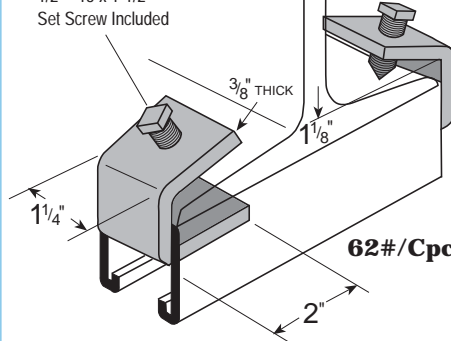
41#/Cpc

**FS-5715**  
**CHANNEL-TO-FLANGE**  
**LIGHT-DUTY BEAM CLAMPS**

used in pairs –  
**Sold Singly**

**Design Load = 900 lb/pr.**

1/2" -13 x 1-1/2"  
Set Screw Included



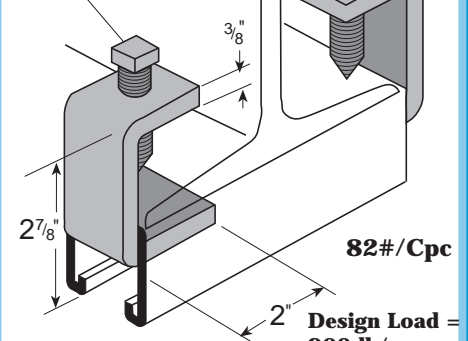
62#/Cpc

**FS-5716**  
**CHANNEL-TO-FLANGE**  
**HEAVY-DUTY BEAM CLAMPS**

used in pairs –  
**Sold Singly**

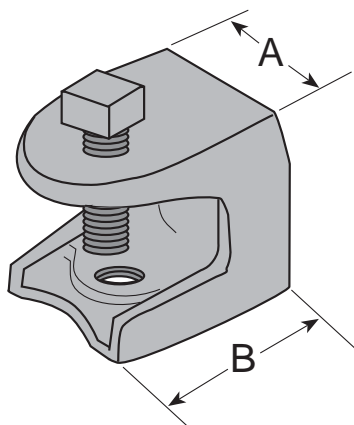
**Design Load = 900 lb/pr.**

1/2" -13 x 1-1/2"  
Set Screw Included

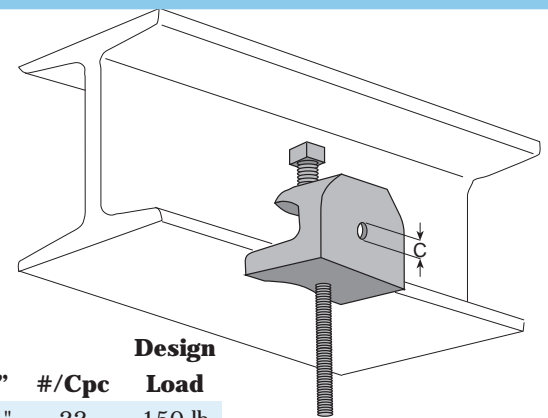


82#/Cpc

**FS-5717**  
**CHANNEL-TO-FLANGE**  
**DEEP THROAT BEAM CLAMP**

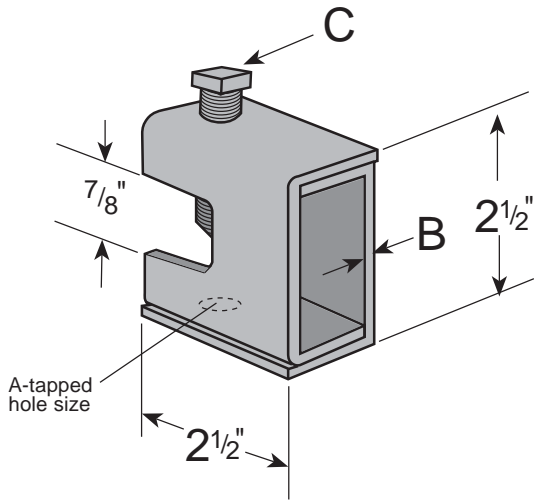


**FS-5718 Series**  
**ROD SUPPORT**



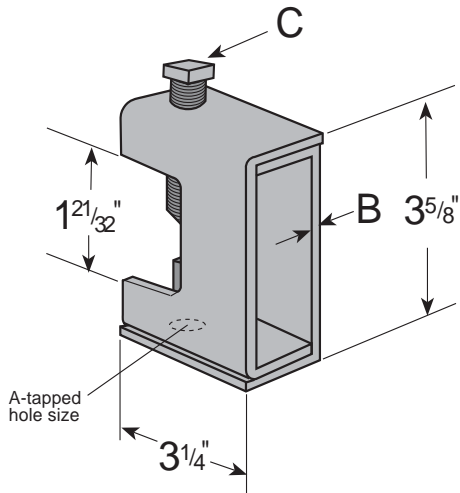
**FS-5718 Series**  
**ROD SUPPORT**

Part No.	"A"	"B"	"C"	#/Cpc	Design Load
FS-5718-1/4	1"	1-1/4"	1/4"	22	150 lb
FS-5718-3/8	2"	2"	3/8"	95	350 lb
FS-5718-1/2	2-3/4"	2-1/2"	1/2"	165	600 lb



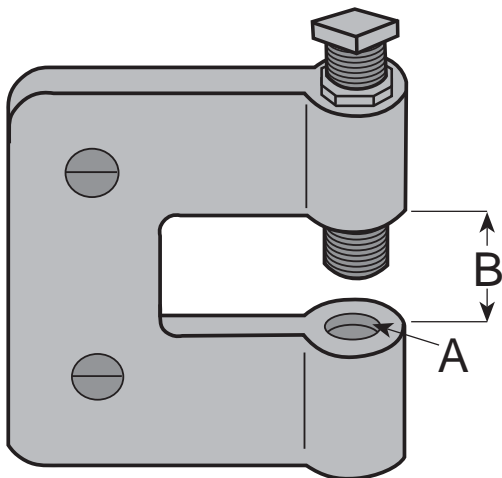
**FS-5721 thru FS-5729**

Part No.	A	B	C	#/Cpc	Allowable Load
FS-5721	1/4"-20	1/8"	3/8" x 1-1/2"	65	650#
FS-5722	5/16"-18	1/8"	3/8" x 1-1/2"	65	650#
FS-5723	3/8"-16	1/8"	3/8" x 1-1/2"	65	650#
FS-5724	3/8"-16	3/16"	1/2" x 1-1/2"	100	1100#
FS-5725	1/2"-13	3/16"	1/2" x 1-1/2"	100	1100#
FS-5726	1/2"-13	1/4"	1/2" x 1-1/2"	130	1600#
FS-5727	5/8"-11	1/4"	1/2" x 1-1/2"	130	1600#
FS-5728	5/8"-11	5/16"	5/8" x 1-1/2"	160	2400#
FS-5729	3/4"-10	5/16"	5/8" x 1-1/2"	160	2400#



**FS-5731 thru FS-5736**

Part No.	A	B	C	#/Cpc	Allowable Load
FS-5731	1/4"-20	1/8"	3/8" x 2"	105	800#
FS-5734	3/8"-16	3/16"	1/2" x 2"	160	1300#
FS-5736	1/2"-13	1/4"	1/2" x 2"	200	1900#



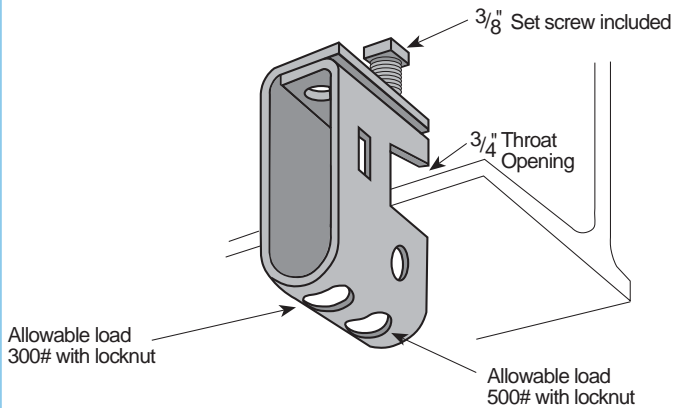
**FS-5741 and FS-5742**

Part No.	Loading		#/Cpc	Allowable Load
	Tapped Hole Size A	Throat Opening B		
FS-5741	3/8"-16	3/4"	50#	400#
FS-5742	1/2"-13	3/4"	55#	500#

Also Available in Stainless Steel

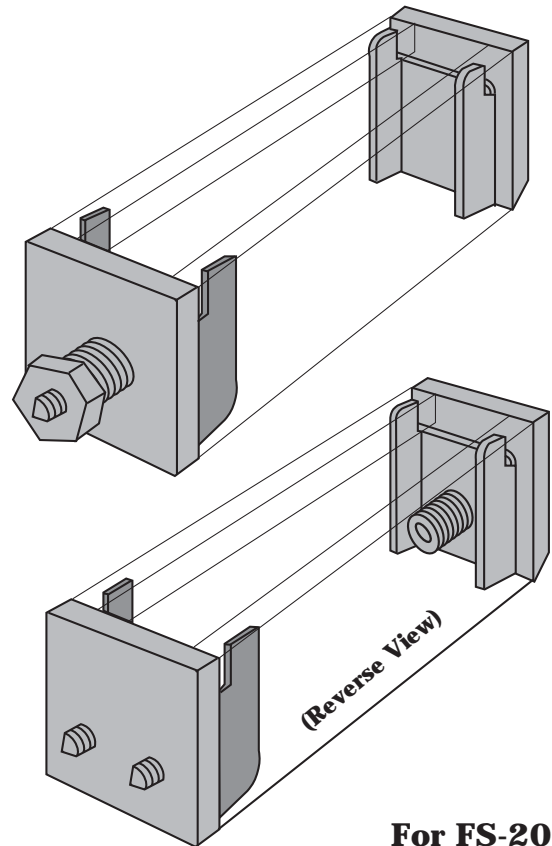
# BEAM CLAMPS

43#/Cpc



**FS-5750**  
**ALL-PURPOSE BEAM CLAMP**

53#/Cpc  
Sold In Sets

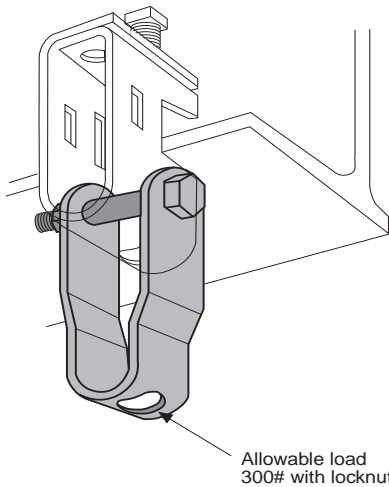


**For FS-200**  
**Channel Only**

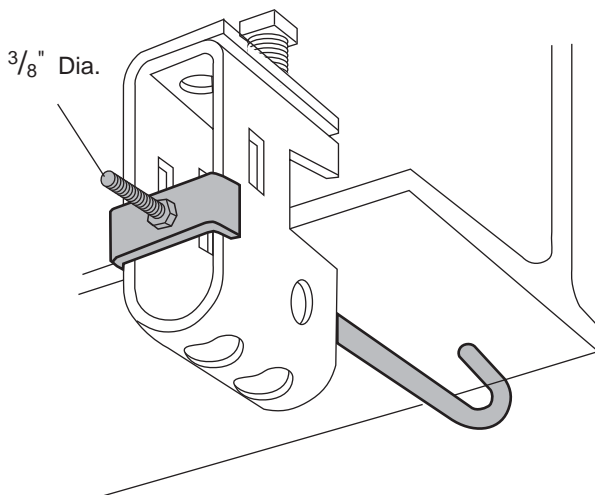
**FS-5760**  
**COLUMN ATTACHMENT FLANGE-TO-FLANGE CLAMP**

FS-200 CHANNEL ORDERED SEPARATELY.  
CHANNEL SHOULD BE CUT 1-1/2" SHORTER THAN INSIDE DIMENSION  
BETWEEN COLUMN FLANGES. ALLOWABLE LOAD 800#.

29#/Cpc



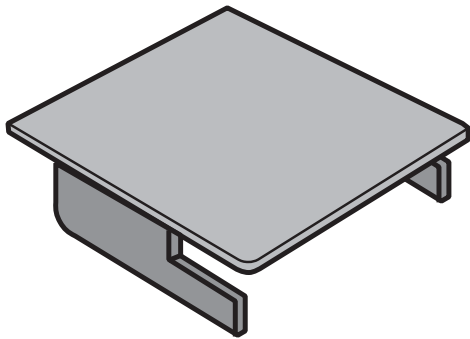
**FS-5751**  
**SWIVEL HANGER**



**FS-5755 & FS-5756**  
**"J" BOLT**

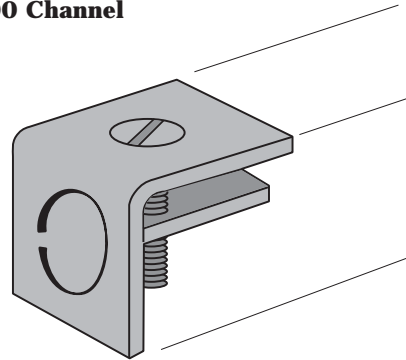
Part No.	Flange Width		J-Bolt Length	Wt./ 100 pcs.
	Min.	Max.		
FS-5755	3"	7"	8-5/8"	24
FS-5756	7"	11"	12-5/8"	33

Use with FS-5750 Beam Clamp



**FS-5920-W** 13#/Cpc  
WIREWAY END CAP FOR FS-200 CHANNEL

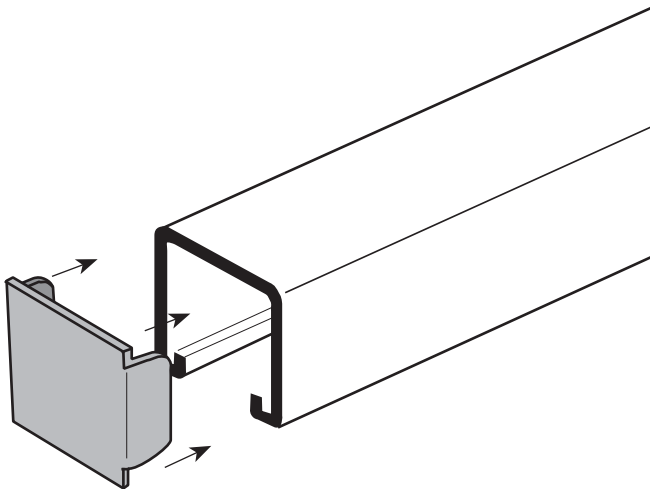
**For FS-200 Channel**



**FS-5940-1/2"** END CAP WITH 1/2" KNOCKOUT  
26# / Cpc

**FS-5940-3/4"** END CAP WITH 3/4" KNOCKOUT  
26# / Cpc

**FS-5940 Series**



**FS-5910** SINGLE PIECE END CAP FOR FS-100 CHANNEL  
15# / Cpc

**FS-5915** SINGLE PIECE END CAP FOR FS-150 CHANNEL  
6# / Cpc

**FS-5920** SINGLE PIECE END CAP FOR FS-200 CHANNEL  
5# / Cpc

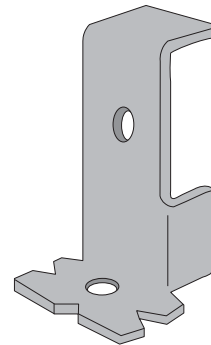
**FS-5921** SINGLE PIECE END CAP FOR FS-210 CHANNEL  
5# / Cpc

**FS-5933** SINGLE PIECE END CAP FOR FS-300 CHANNEL  
4# / Cpc

**FS-5934** SINGLE PIECE END CAP FOR FS-400 CHANNEL  
4# / Cpc

**FS-5935** SINGLE PIECE END CAP FOR FS-500 AND FS-450 CHANNEL  
4# / Cpc

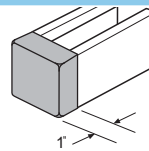
**FS-5910 thru FS-5935**



**FS-5952** ANCHOR END CAP FOR FS-200 CHANNEL  
21# / Cpc

**FS-5953** ANCHOR END CAP FOR FS-300 CHANNEL  
21# / Cpc

**FS-5954** ANCHOR END CAP FOR FS-400 CHANNEL  
21# / Cpc



PLASTIC END CAPS FOR SECTIONS

Part No.	Color	Channel Size	#/Cpc
FS-5960-1W	White	FS-100	5
FS-5960-15B	Black	FS-150	5
FS-5960-2BL	Blue	FS-200	4
FS-5960-2R	Red	FS-200	4
FS-5960-2W	White	FS-200	4
FS-5960-2Y	Yellow	FS-200	4
FS-5960-2BR	Brown	FS-200	4
FS-5960-2B	Black	FS-200	4
FS-5960-5R	Red	FS-500	4
FS-5960-5W	White	FS-500	4
FS-5960-7B	Black	FS-700	2

Also Available in Other Standard Strut Sizes