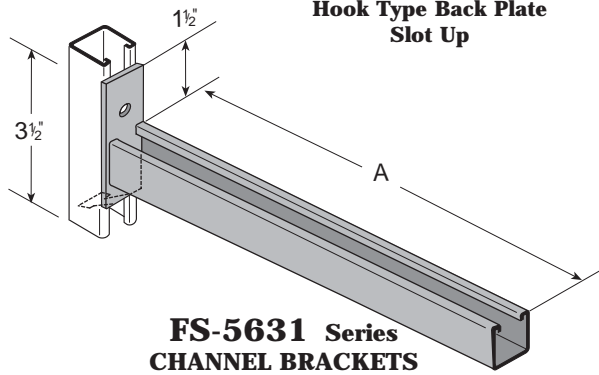
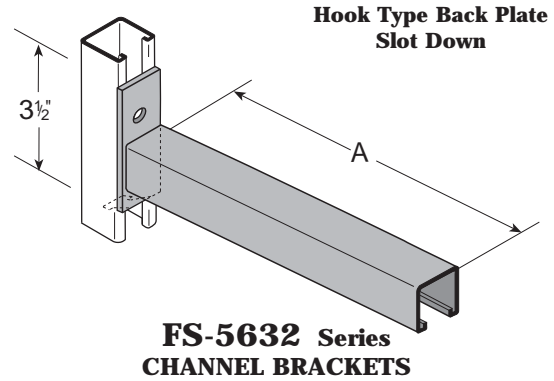


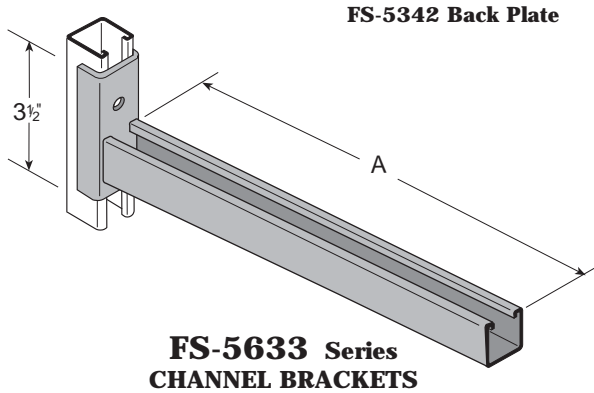
CHANNEL BRACKETS



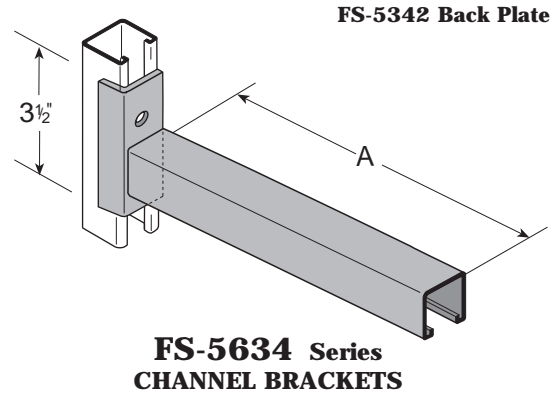
Part No.	A	#/Cpc	Uniform Design Load
FS-5631-6	6"	160#	1,200#
FS-5631-12	12"	260#	600#
FS-5631-18	18"	350#	400#
FS-5631-24	24"	440#	300#



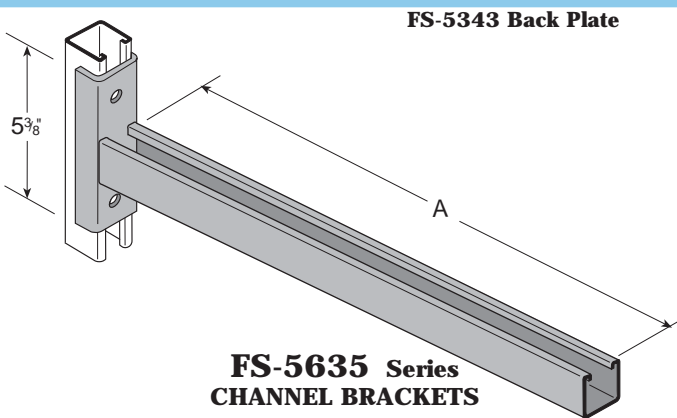
Part No.	A	#/Cpc	Uniform Design Load
FS-5632-6	6"	160#	1,200#
FS-5632-12	12"	260#	600#
FS-5632-18	18"	350#	400#
FS-5632-24	24"	440#	300#



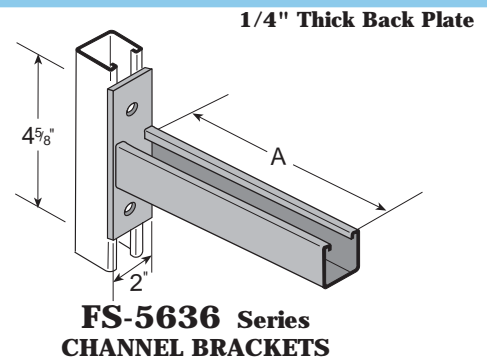
Part No.	A	#/Cpc	Uniform Design Load
FS-5633-6	6"	190#	1,600#
FS-5633-12	12"	290#	800#



Part No.	A	#/Cpc	Uniform Design Load
FS-5634-6	6"	190#	1,600#
FS-5634-12	12"	290#	800#



Part No.	A	#/Cpc	Uniform Design Load
FS-5635-18	18"	435#	600#
FS-5635-24	24"	525#	400#

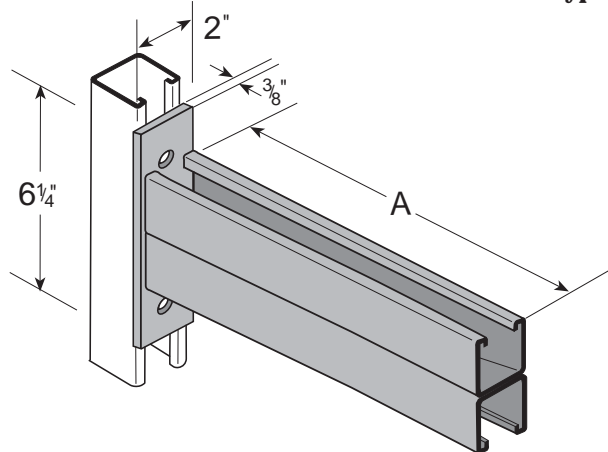


Part No.	A	#/Cpc	Uniform Design Load
FS-5636-6	6"	150#	1,500#
FS-5636-12	12"	245#	750#
FS-5636-18	18"	340#	500#
FS-5636-24	24"	435#	250#

Safety Factor = 2-1/2" • Black Plate & Web Thickness = 1/4" • All Channel Shown = 12 Ga. FS-200
 • Attach with FS-1/2 Strut Nut and 1/2" HHCS •

CHANNEL BRACKETS

FS-201 Channel Typical



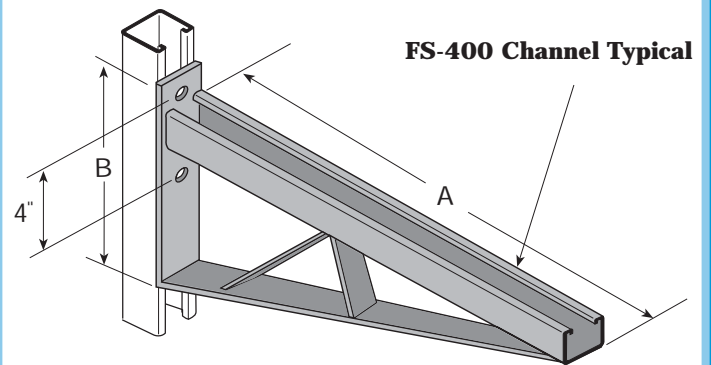
**FS-5637 Series
CHANNEL BRACKETS**

Part No.	A	#/Cpc	Uniform Design Load
FS-5637-12	12"	480#	2,000#
FS-5637-18	18"	665#	1,200#
FS-5637-24	24"	850#	1,000#
FS-5637-30	30"	1,020#	800#
FS-5637-36	36"	1,235#	600#

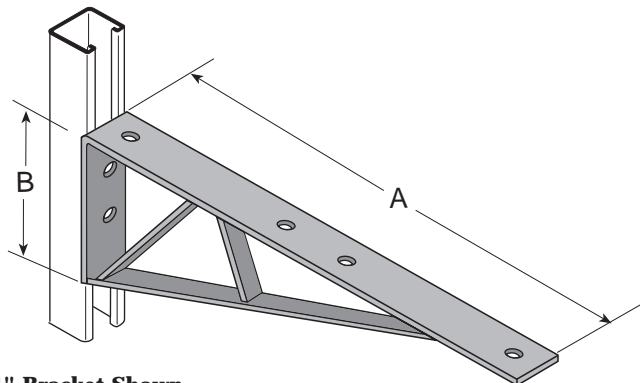
Part No.	A	B	#/Cpc	Uniform Design Load
FS-5638-12	12"	8-3/4"	360#	1,200#
FS-5638-18	18"	8-3/4"	475#	1,000#
FS-5638-24	24"	8-3/4"	710#	800#
FS-5638-30	30"	11-1/4"	925#	600#
FS-5638-36	36"	11-1/4"	1,090#	500#

FS-400 Channel Typical

**30" Bracket Shown
Web Reinforcement Varies with Length**



**FS-5638 Series
CHANNEL BRACKETS**



**24" Bracket Shown
14-1/2" Bracket and Shorter Provided Without
Web Reinforcement**

**FS-5639 Series
CHANNEL BRACKETS**

Part No.	A	B	#/Cpc	Uniform Design Load
FS-5639-8 1/2	8-1/2"	4"	175#	800#
FS-5639-10 1/2	10-1/2"	4"	205#	800#
FS-5639-12	12"	6"	245#	900#
FS-5639-12 1/2	12-1/2"	6"	265#	900#
FS-5639-14 1/2	14-1/2"	6"	300#	900#
FS-5639-16 1/2	16-1/2"	6"	300#	1,200#
FS-5639-18	18"	6"	395#	1,000#
FS-5639-24	24"	6"	435#	600#

Design load when used in 12 ga channel

Safety Factor = 2-1/2" • Black Plate & Web Thickness = 1/4" • All Channel Shown = 12 Ga.
• Attach with FS-1/2 Strut Nut and 1/2" HHCS •