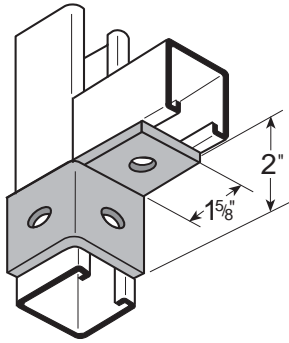
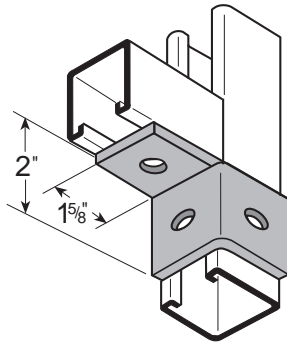


54#/Cpc



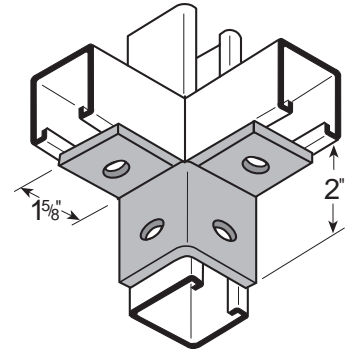
**FS-5510**  
THREE-HOLE CORNER  
CONNECTION (RIGHT-HAND)

54#/Cpc



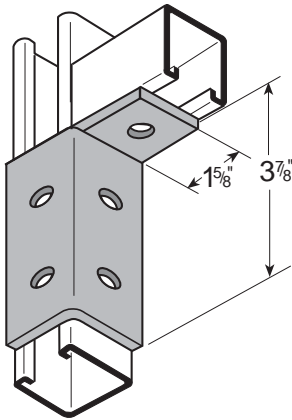
**FS-5511**  
THREE-HOLE CORNER  
CONNECTION (LEFT-HAND)

78#/Cpc



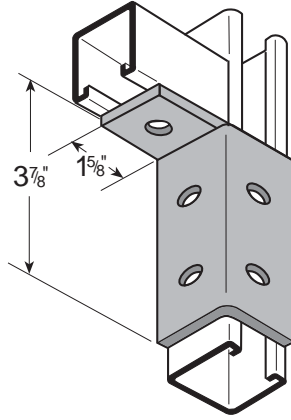
**FS-5512**  
FOUR-HOLE 2-WAY  
CORNER CONNECTION

100#/Cpc



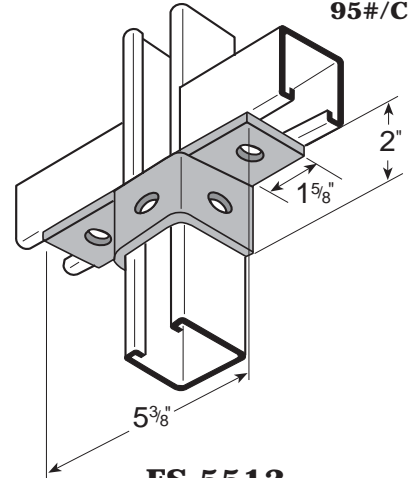
**FS-5516**  
FIVE-HOLE CORNER  
CONNECTION (RIGHT-HAND)

100#/Cpc



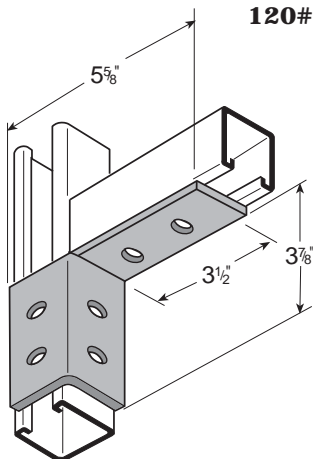
**FS-5517**  
FIVE-HOLE CORNER  
CONNECTION (LEFT-HAND)

95#/Cpc



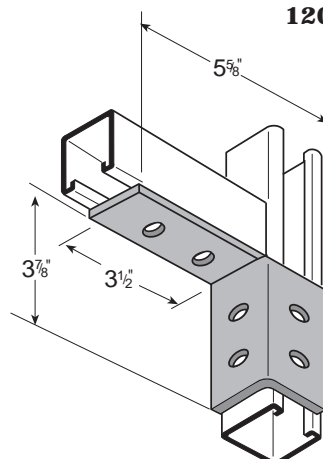
**FS-5513**  
FIVE-HOLE 2-WAY  
WING CONNECTION

120#/Cpc



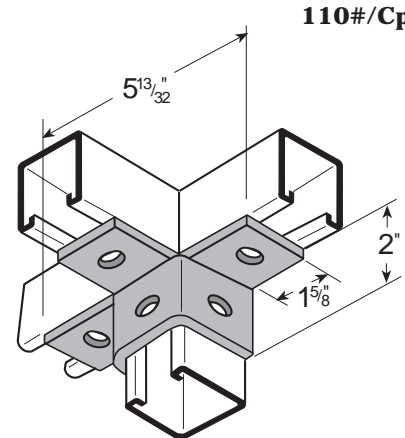
**FS-5521**  
SIX-HOLE CORNER  
CONNECTION (RIGHT-HAND)

120#/Cpc



**FS-5522**  
SIX-HOLE CORNER  
CONNECTION (LEFT-HAND)

110#/Cpc

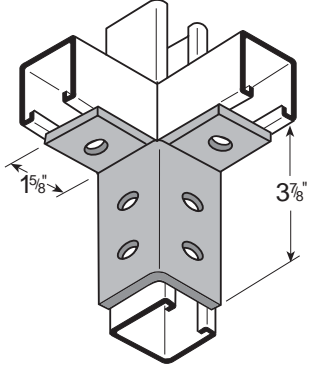


**FS-5514**  
SIX-HOLE 3-WAY  
WING CONNECTION

Thickness = 1/4" • Width = 1 5/8" • Hole Diameter = 9/16" • Hole Spacing = 1 7/8" • Edge Distance = 13/16"

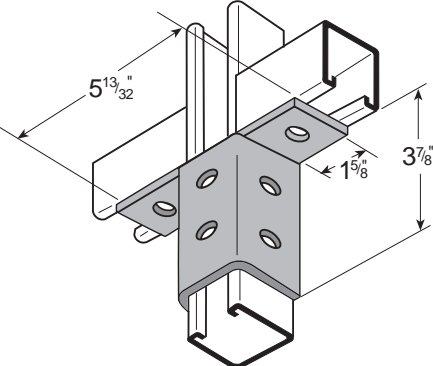
# WING FITTINGS

110#/Cpc



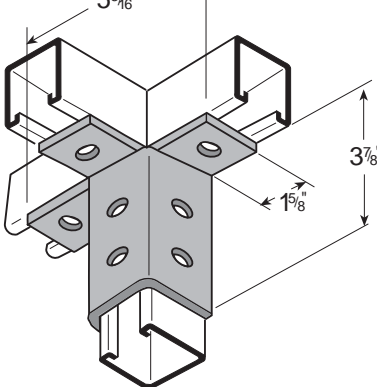
**FS-5518**  
SIX-HOLE 2-WAY  
CORNER CONNECTION

150#/Cpc



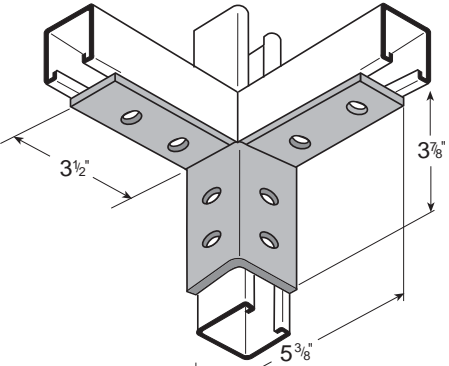
**FS-5519**  
EIGHT-HOLE 2-WAY  
WING CONNECTION

177#/Cpc



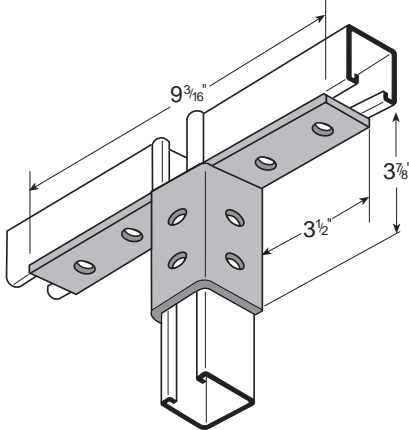
**FS-5520**  
NINE-HOLE 3-WAY  
CORNER CONNECTION

152#/Cpc



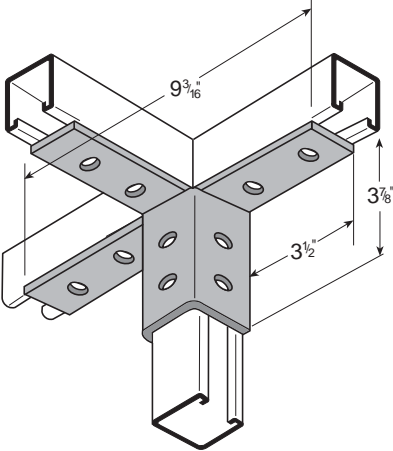
**FS-5523**  
EIGHT-HOLE 2-WAY  
CORNER CONNECTION

185#/Cpc



**FS-5524**  
TEN-HOLE 2-WAY  
WING CONNECTION

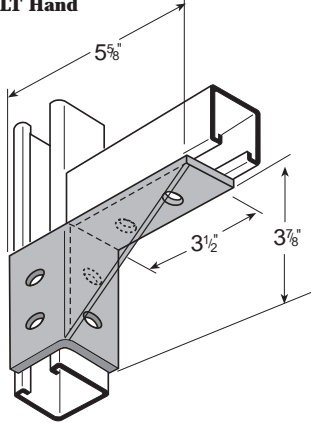
234#/Cpc



**FS-5525**  
TWELVE-HOLE 3-WAY  
CORNER CONNECTION

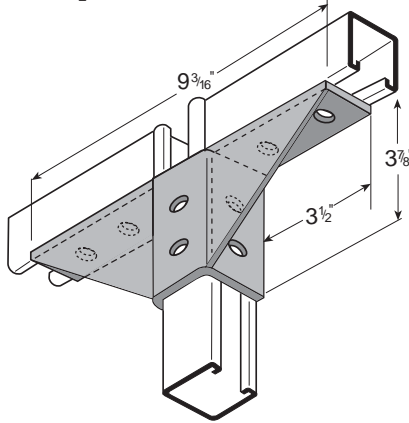
FS-5526 RT Hand (Shown)  
FS-5527 LT Hand

176#/Cpc



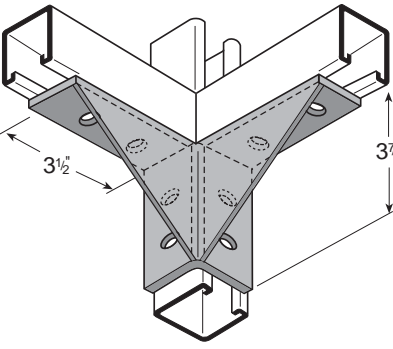
**FS-5526 & FS-5527**  
SIX-HOLE CORNER  
GUSSET CONNECTION

270#/Cpc



**FS-5528**  
TEN-HOLE 2-WAY  
WING GUSSET CONNECTION

215#/Cpc



**FS-5529**  
EIGHT-HOLE 2-WAY  
CORNER GUSSET CONNECTION

Thickness = 1/4" • Width = 1 5/8" • Hole Diameter = 9/16" • Hole Spacing = 1 7/8" • Edge Distance = 13/16"