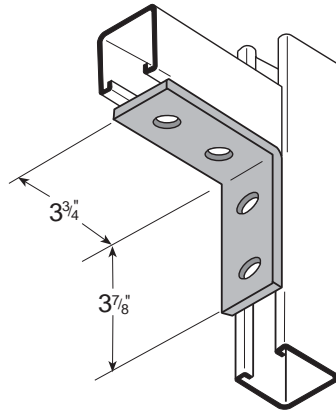


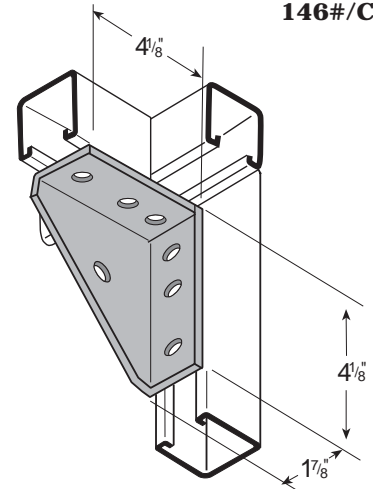
78#/Cpc

FS-5123
FOUR HOLE CORNER



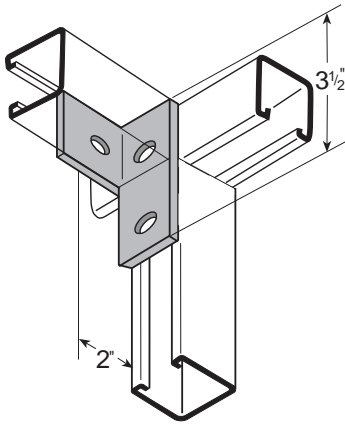
78#/Cpc

FS-5125
FOUR HOLE CORNER



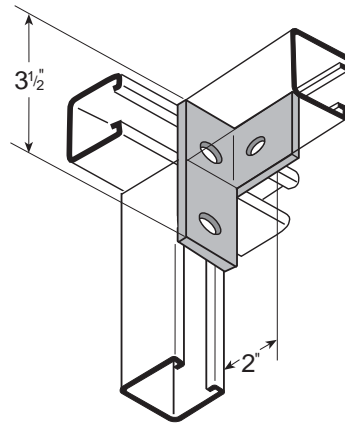
146#/Cpc

FS-5124
UNIVERSAL CORNER



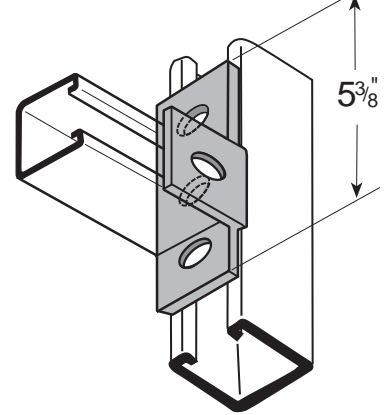
60#/Cpc

FS-5135
OFFSET TEE ANGLE (LEFT HAND)



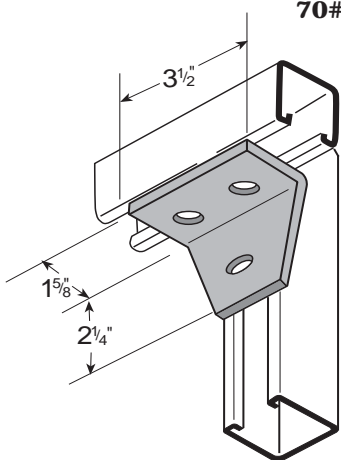
60#/Cpc

FS-5136
OFFSET TEE ANGLE (RIGHT HAND)



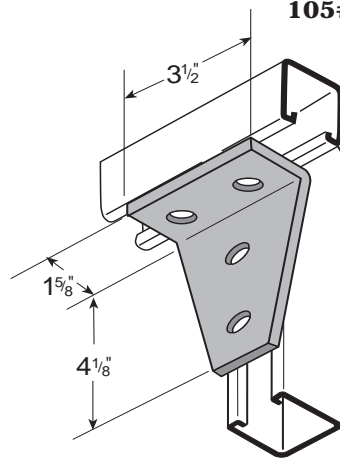
80#/Cpc

FS-5120
TEE ANGLE



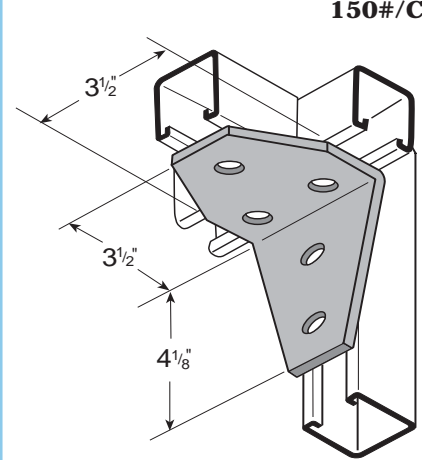
70#/Cpc

FS-5110
THREE HOLE CONNECTOR



105#/Cpc

FS-5109
FOUR HOLE CONNECTOR



150#/Cpc

FS-5117
FIVE HOLE CORNER

Thickness = 1/4" • Width = 1 5/8" • Hole Diameter = 9/16" • Hole Spacing = 1 7/8" • Edge Distance = 13/16"