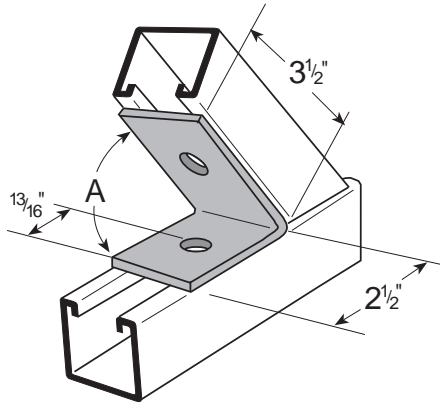


ANGULAR FITTINGS

58#/Cpc

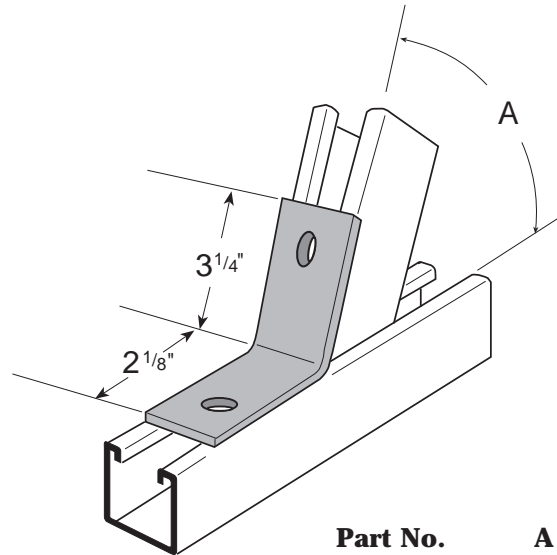
FS-5142 CLOSED TWO HOLE CLOSED



Part No.	A
FS-5142-45	45°
FS-5142-60	60°

57#/Cpc

FS-5143 OPEN TWO HOLE OPEN

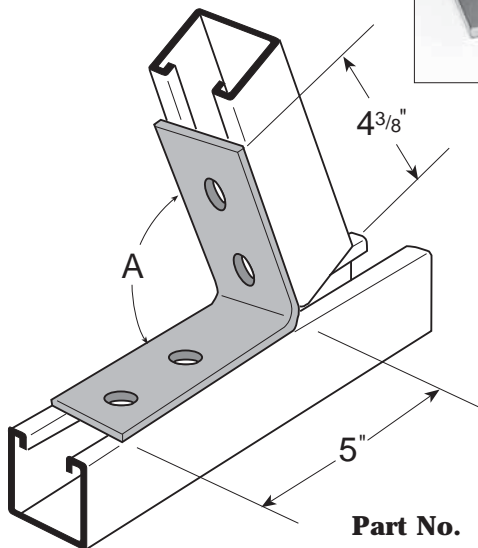


Part No.	A
FS-5143-30	30°
FS-5143-45	45°
FS-5143-60	60°



78#/Cpc

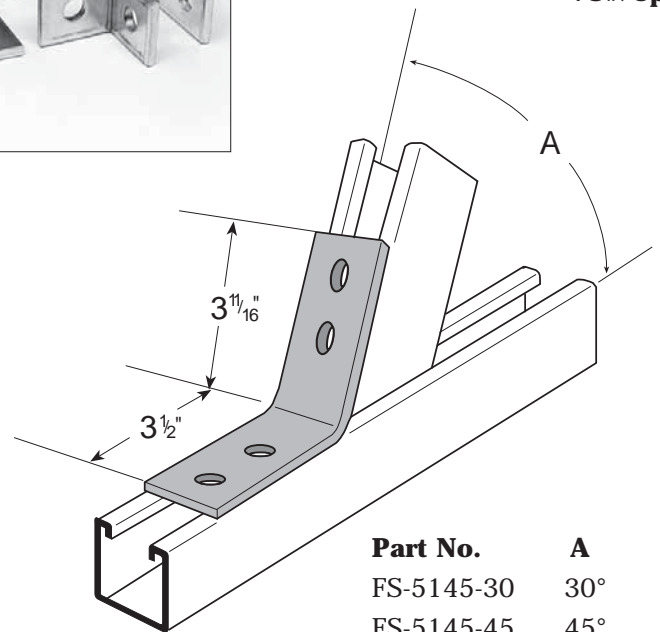
FS-5144 CLOSED FOUR HOLE CLOSED



Part No.	A
FS-5144-45	45°
FS-5144-60	60°

78#/Cpc

FS-5145 OPEN FOUR HOLE OPEN



Part No.	A
FS-5145-30	30°
FS-5145-45	45°
FS-5145-60	60°

Thickness = 1/4" • Width = 1 5/8" • Hole Diameter = 9/16" • Hole Spacing = 1 7/8" • Edge Distance = 13/16"