

HFN/F

Panelized Construction Hangers

The HF24N, HF26N, HF34N and HF36N hangers are designed for panels or components using jigs or similar devices for precision fabrication. Grip-groove feature provides positive lock into the 2x or 3x member without nailing. F series panel hangers are engineered components for panelized construction only.

Material: 18 gauge

Finish: Galvanized. Some products available in ZMAX® coating. See Corrosion Information, pp. 12–15.

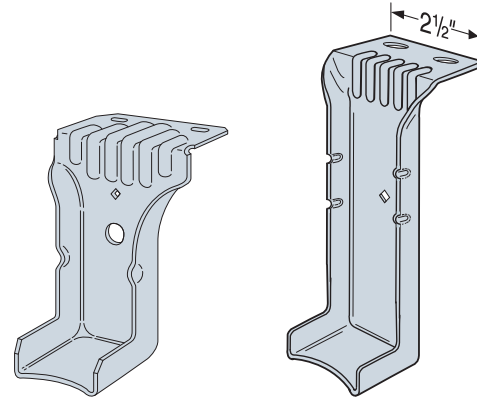
Standard Installation:

- Use all specified fasteners; see General Notes.
- On the F-series hanger, the diamond hole nail is non-structural and does not contribute to the load.
- For additional information on retrofit options see flier F-C-RUZRUF at strongtie.com.

Panelized Installation:

- Installing two nails through sheathing in middle of hanger achieves full load. See illustrations for fastener location requirements. See technical bulletin T-C-HFHANGER at strongtie.com for alternate nailing and allowable load adjustments.

Codes: See p. 11 for Code Reference Key Chart



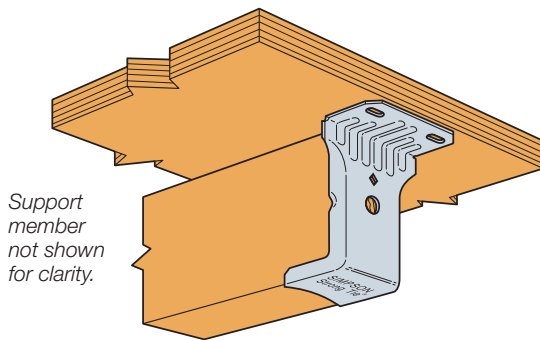
HF24N
(HF34N similar)

HF26N
(HF36N similar)
Dimples hold joist securely in place.

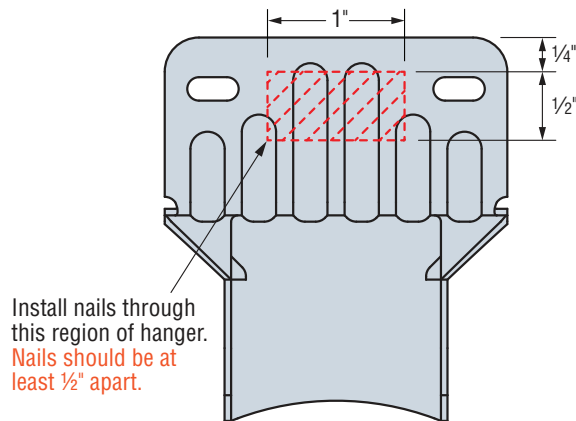
These products are available with additional corrosion protection. For more information, see p. 14.

Model No.	Joist Size	Dimensions (in.)			Header Fasteners (in.)	Allowable Roof Loads (115/125)	Code Ref.
		W	H	TF			
HF24N	2x4	1 9/16	3 3/8	1 1/4	(2) 0.148 x 2 1/8	580	IBC, LA
HF26N	2x6	1 9/16	5 3/8	1 1/4	(2) 0.148 x 2 1/8	635	
HF34N	3x4	2 9/16	3 3/8	1 1/4	(2) 0.148 x 2 1/8	690	
HF36N	3x6	2 9/16	5 3/8	1 1/4	(2) 0.148 x 2 1/8	725	
F26-2	(2) 2x6	3 1/4	5 3/8	1 3/16	(2) 0.148 x 3	675	
F44Z	4x4	3 9/16	3 7/16	1 1/2	(2) 0.148 x 3	765	
F46Z	4x6	3 9/16	5 3/8	1 7/16	(2) 0.148 x 3	675	

1. 0.148" x 3" nails can be used for specified 0.148" x 2 1/8" nails.
2. **Fasteners:** Nail dimensions are listed diameter by length. See pp. 21–22 for fastener information.



Typical HF24N Installation
(HF34N similar)

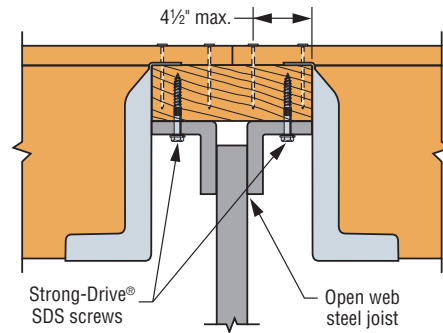
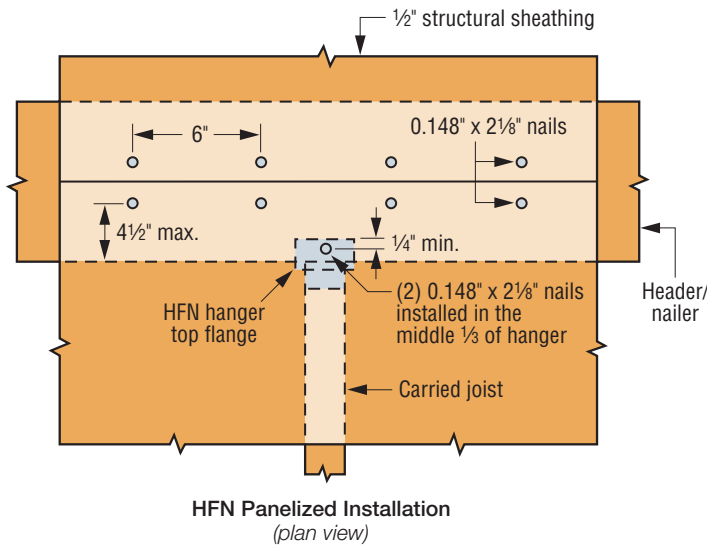


Install nails through this region of hanger. Nails should be at least 1/2" apart.

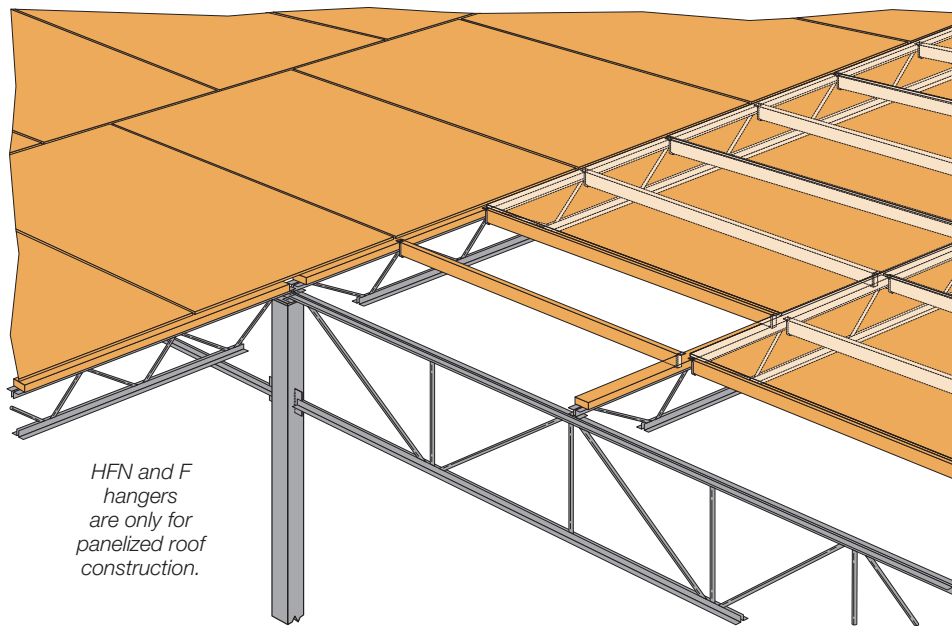
Panelized Installation Nailing Zone

HFN/F

Panelized Construction Hangers (cont.)



Double HF26N Nail Installation on Hybrid Truss



Typical Hybrid Panelized Roof System