

HRC/HHRC

Hip-Ridge Face-Mount Connectors

HRC is a field slopeable connector that attaches hip roof beams to the end of a ridge beam. The HRC may be sloped downward a maximum of 45°.

HHRC accommodates higher loads and uses Strong-Drive® SD Connector screws.

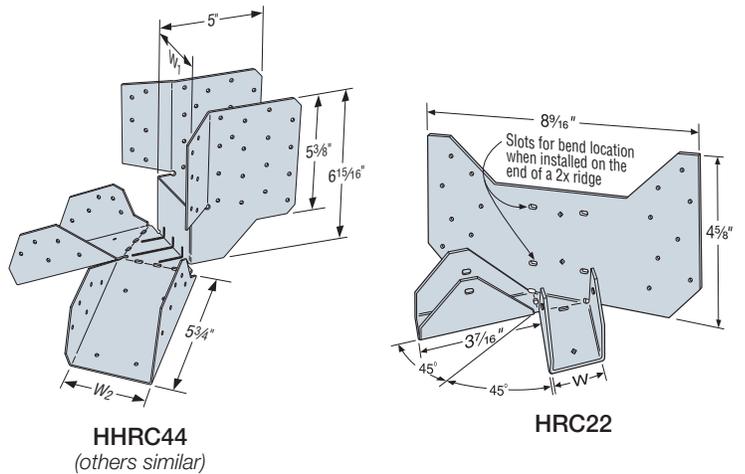
Material: HRC22 — 16 gauge; HHRC — 12 gauge

Finish: Galvanized

Installation:

- Use all specified fasteners (included with HHRC); see General Notes.
- On end of ridge — use optional diamond holes on HRC22 to secure the HRC. Bend face flanges on HRC22 back flush with ridge, and complete nailing.
- HRC22 on face of ridge — adjust to correct height and install nails.
- Double bevel-cut hip members to achieve full bearing capacity with HRC.

Codes: See p. 11 for Code Reference Key Chart



Solid Sawn Joist Hangers

HRC Allowable Loads

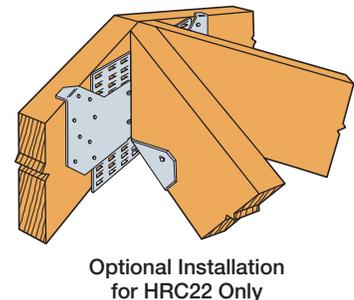
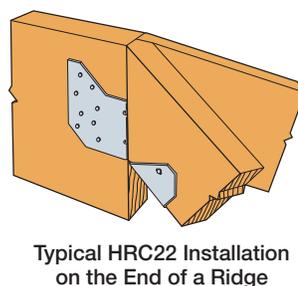
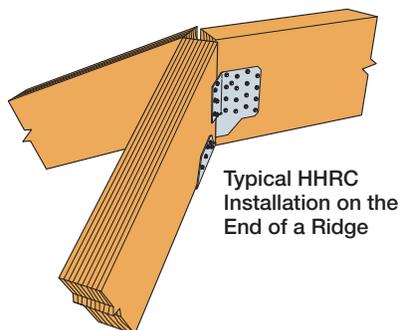
Model No.	Member Size		Fasteners (in.)		DF/SP Allowable Loads				SPF/HF Allowable Loads				Code Ref.
	W (in.)	Ridge	Carrying Member	Each Hip	Uplift (160)	Floor (100)	Snow (115)	Roof (125)	Uplift (160)	Floor (100)	Snow (115)	Roof (125)	
HRC22	1 9/16	2x or 1 3/4" wide	(16) 0.148 x 1 1/2	(2) 0.148 x 1 1/2	370	975	1,105	1,185	320	840	950	1,020	IBC, FL, LA

1. Allowable loads shown are for each hip. Total load carried by the connector is double this number.
2. Uplift loads have been increased for earthquake or wind loading with no further increase allowed. Reduce where other loads govern.
3. Roof loads are 125% of floor loads unless limited by other criteria. Floor loads may be adjusted for load durations according to the code provided they do not exceed those in the roof column.
4. **Fasteners:** Nail dimensions are listed diameter by length. See pp. 21–22 for fastener information.

HHRC Allowable Loads

Model No.	Member Type	Connection Members		Connector Width (in.)		Fasteners		Allowable Loads Per Hip				Code Ref.
		Ridge	Hip	Ridge (W ₁)	Hip (W ₂)	Ridge	Each Hip	DF/SP		SPF		
								Download (100/115/125)	Uplift (160)	Download (100/115/125)	Uplift (160)	
HHRC2-2	Sawn Lumber	(2) 2x	(2) 2x	3 1/8	3 1/8	(40) #10 x 2 1/2" SD	(22) #10 x 2 1/2" SD	3,110	1,970	2,315	1,635	IBC, FL, LA
HHRC42	Sawn Lumber	4x	2x	3 3/8	1 9/16	(40) #10 x 2 1/2" SD	(22) #10 x 1 1/2" SD	3,110	1,490	2,315	1,385	
HHRC42-2	Sawn Lumber	4x	(2) 2x	3 3/8	3 1/8	(40) #10 x 2 1/2" SD	(22) #10 x 2 1/2" SD	3,110	1,970	2,315	1,635	
HHRC4/1.81	SCL/Sawn Lumber	4x	1 3/4	3 3/8	1 13/16	(40) #10 x 2 1/2" SD	(22) #10 x 1 1/2" SD	3,110	1,490	2,315	1,385	
HHRC44	Sawn Lumber	4x	4x	3 3/8	3 3/8	(40) #10 x 2 1/2" SD	(22) #10 x 2 1/2" SD	3,110	1,970	2,315	1,635	
	SCL	3 1/2	3 1/2	3 3/8	3 3/8	(40) #10 x 2 1/2" SD	(22) #10 x 2 1/2" SD	3,110	1,970	2,315	1,635	
HHRC5.25/3.25	Glulam	5 1/8	3 1/8	5 1/4	3 1/4	(40) #10 x 2 1/2" SD	(22) #10 x 2 1/2" SD	3,110	1,970	2,315	1,635	
HHRC5.37/3.12	SCL/Sawn Lumber	5 1/4	(2) 2x	5 1/4	3 1/4	(40) #10 x 2 1/2" SD	(22) #10 x 2 1/2" SD	3,110	1,970	2,315	1,635	
HHRC5.37/3.56	SCL/Sawn Lumber	5 1/4	3 1/2	5 3/8	3 3/8	(40) #10 x 2 1/2" SD	(22) #10 x 2 1/2" SD	3,110	1,970	2,315	1,635	
HHRC64	Sawn Lumber	6x	4x	5 3/8	3 3/8	(40) #10 x 2 1/2" SD	(22) #10 x 2 1/2" SD	3,110	1,970	2,315	1,635	
HHRC66	Sawn Lumber	6x	6x	5 3/8	5 3/8	(40) #10 x 2 1/2" SD	(27) #10 x 2 1/2" SD	3,110	1,970	2,315	1,635	

1. Allowable loads shown are for each hip. Total load carried by the connector is double this number.
2. Uplift loads have been increased for earthquake or wind loading with no further increase allowed. Reduce where other loads govern.
3. **Fasteners:** SD screws are Simpson Strong-Tie® Strong-Drive SD Connector screws. See pp. 21–22 for fastener information.



HRC/HHRC

Hip-Ridge Connectors

The HRC series are field slopeable connectors that attach hip roof beams to the end of a ridge beam. The HRC may be sloped downward a maximum of 45° (included with part). HHRC accommodates higher loads and uses Strong-Drive® SD Connector screws.

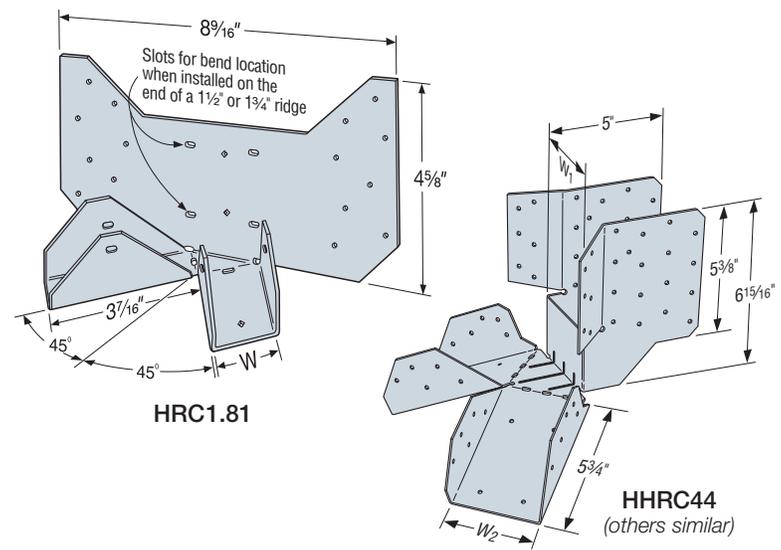
Material: HRC1.81 — 16 gauge; HHRC — 12 gauge

Finish: Galvanized

Installation:

- Use all specified fasteners (included with HHRC); see General Notes.
- On end of ridge — use optional diamond holes on HRC1.81 to secure the HRC. Bend face flanges on HRC1.81 back flush with ridge, and complete nailing.
- HRC1.81 on face of ridge — adjust to correct height and install nails.
- Double bevel-cut hip members to achieve full bearing loads with HRC.
- The HRC may be sloped to 45° with no reduction in loads.

Codes: See p. 11 for Code Reference Key Chart



I-Joist, Glulam and Structural Composite Lumber Connectors

HRC Allowable Loads

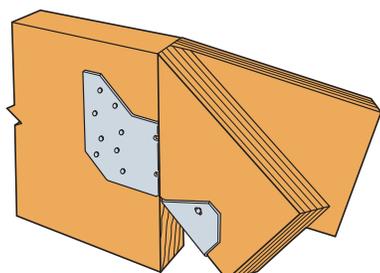
Model No.	W (in.)	Member Size		Fasteners (in.)		DF/SP Allowable Loads				SPF/HF Allowable Loads				Code Ref.
		Hip	Ridge	Carrying Member	Each Hip	Uplift (160)	Floor (100)	Snow (115)	Roof (125)	Uplift (160)	Floor (100)	Snow (115)	Roof (125)	
HRC1.81	1 13/16	1 3/4"	2x or 1 3/4" wide	(16) 0.148 x 1 1/2	(2) 0.148 x 1 1/2	370	975	1,105	1,185	320	840	950	1,020	IBC, FL, LA

1. Allowable loads shown are for each hip. Total load carried by the connector is double this number.
2. Uplift loads have been increased for earthquake or wind loading with no further increase allowed. Reduce where other loads govern.
3. Roof loads are 125% of floor loads unless limited by other criteria. Floor loads may be adjusted for load durations according to the code provided they do not exceed those in the roof column.
4. **Fasteners:** Nail dimensions are listed diameter by length. See pp. 21–22 for fastener information.

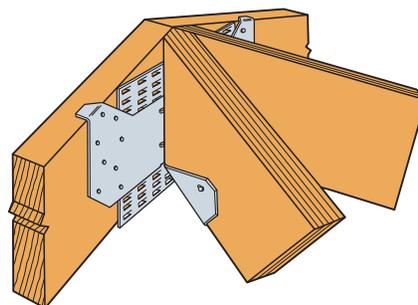
HHRC Allowable Loads

Model No.	Member Type	Connection Members		Connector Width (in.)		Fasteners ³		Allowable Loads Per Hip (lb.)				Code Ref.
		Ridge	Hip	Ridge (W ₁)	Hip (W ₂)	Ridge	Each Hip	DF/SP		SPF/HF		
								Uplift (160)	Download (100/115/125)	Uplift (160)	Download (100/115/125)	
HHRC4/1.81	SCL / Sawn lumber	4x	1 3/4	3 5/8	1 13/16	(40) #10 x 2 1/2" SD	(22) #10 x 1 1/2" SD	1,490	3,110	1,385	2,315	IBC, FL, LA
HHRC44	SCL / Sawn lumber	4x	4x	3 5/8	3 5/8	(40) #10 x 2 1/2" SD	(22) #10 x 2 1/2" SD	1,970	3,110	1,635	2,315	
HHRC5.25/3.25	SCL / Glulam	5 1/2	3 1/2	5 1/4	3 1/4	(40) #10 x 2 1/2" SD	(22) #10 x 2 1/2" SD	1,970	3,110	1,635	2,315	
HHRC5.37/3.12	SCL / Sawn lumber	5 1/4	2-2x	5 1/4	3 1/4	(40) #10 x 2 1/2" SD	(22) #10 x 2 1/2" SD	1,970	3,110	1,635	2,315	
HHRC5.37/3.56	SCL / Sawn lumber / Glulam	5 1/4	3 1/2	5 3/8	3 5/8	(40) #10 x 2 1/2" SD	(22) #10 x 2 1/2" SD	1,970	3,110	1,635	2,315	

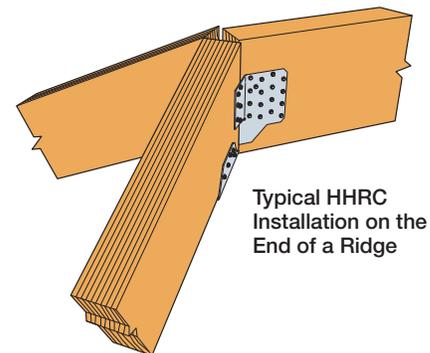
1. Allowable loads shown are for each hip. Total load carried by the connector is double this number.
2. Uplift loads have been increased for earthquake or wind loading with no further increase allowed. Reduce where other loads govern.
3. See p. 121 for solid sawn sizes.
4. **Fasteners:** SD screws are Simpson Strong-Tie® Strong-Drive® SD Connector screws. See pp. 21–22 for fastener information.



Typical HRC Installation on the End of a Ridge



Optional HRC1.81 Installation



Typical HHRC Installation on the End of a Ridge