

LTS/MTS/HTS

Twist Straps

Twist straps provide a tension connection between two wood members. They resist uplift at the heel of a truss economically. LTS/MTS have a 2"-bend section and HTS has a 3¾"-bend section that eliminates interference at the transition points between the two members.

Material: LTS — 18 gauge; MTS — 16 gauge; HTS — 14 gauge

Finish: Galvanized. Some products available in stainless steel or ZMAX® coating. See Corrosion Information, pp. 12–15.

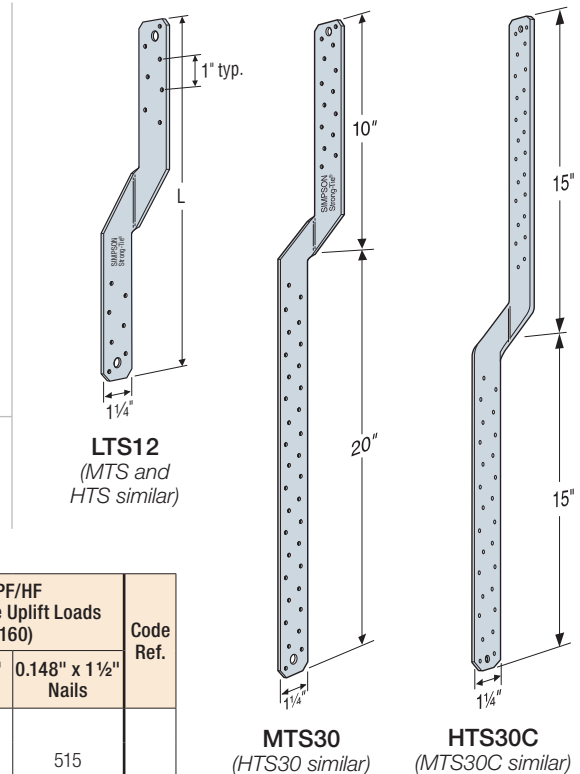
Installation:

- Use all specified fasteners, **with half into each member being connected, to achieve the listed loads;** see General Notes.
- LTS, MTS and HTS are available with the bend reversed. Specify "-REV" after the model number, such as MTS16-REV.

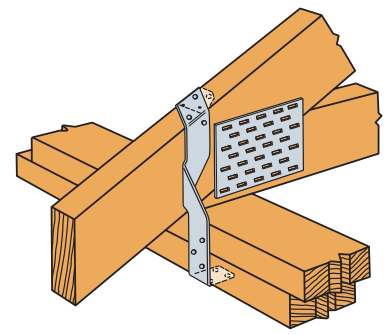
Codes: See p. 11 for Code Reference Key Chart

These products are available with additional corrosion protection. For more information, see p. 14. **SS** For stainless-steel fasteners, see p. 21.

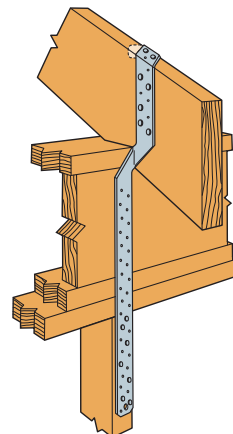
SD Many of these products are approved for installation with Strong-Drive® SD Connector screws. See pp. 348–352 for more information.



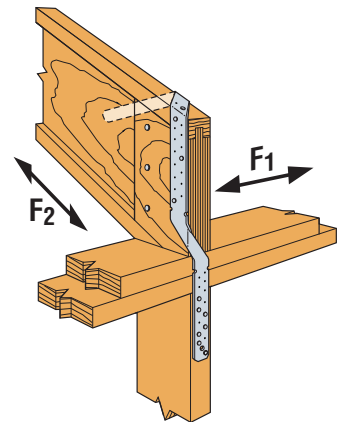
Model No.	Strap Length (in.)	Total Quantity of Fasteners		DF/SP Allowable Uplift Loads (160)		SPF/HF Allowable Uplift Loads (160)		Code Ref.
		0.148" x 3" Nails	0.148" x 1½" Nails	0.148" x 3" Nails	0.148" x 1½" Nails	0.148" x 3" Nails	0.148" x 1½" Nails	
SS LTS12	12							IBC, FL, LA
LTS16	16	12	12	660	645	570	515	
LTS20	20							
SS MTS12	12	14	14	990	990	850	850	
MTS16	16							
MTS20	20							
MTS24C	24							
MTS30	30							
MTS30C	30							
HTS16	16	16	16	1,415	1,415	1,215	1,215	
HTS20	20							
HTS24	24							
HTS30	30							
HTS30C	30							



MTS Installation as a Truss-to-Top Plate Tie



Typical MTS30 Installation



MTS30 Installation with I-Joist Rafter

1. See pp. 266–267 for Straps and Ties General Notes.
2. All LTS, MTS and HTS models (except for MTS12 and HTS16) have additional nail holes.
3. All straps except the MTS30 and HTS30 have the twist in the center of the strap.
4. Twist straps do not need to be wrapped over the truss to achieve the allowable load.
5. May be installed on the inside face of the stud.
6. Allowable lateral loads are $F_1 = 75$ lb. and $F_2 = 125$ lb. when the following installation requirements are met. The first seven nail holes on each side of the bend must be filled with 0.148" x 1½" minimum nails. All additional fasteners may be installed in any remaining strap holes.
7. For simultaneous loads in more than one direction, the connector must be evaluated using either the Unity Equation or the 75% Rule, as described in Straps and Ties General Notes on p. 267.
8. **Fasteners:** Nail dimensions are listed diameter by length. See pp. 21–22 for fastener information.