

LGU/MGU/HGU/HHGU

High-Capacity Girder Hangers

The GU hangers are high-capacity girder hangers designed for situations where the header and joist are flush at top. This part can be used for retrofit on the framing members after they are temporarily placed in position. It uses Strong-Drive® SDS Heavy-Duty Connector screws to make installation fast and easy, with no predrilling required.

Feature:

- Fire-resistant F (flame) and T (temperature) rated in Intertek Design No. SST/WPCF 120-01.



Material: See table

Finish: Galvanized, HHGU — Simpson Strong-Tie gray paint

Installation:

- Use all specified fasteners; see General Notes.
- Install with 1/4" x 2 1/2" Strong-Drive SDS Heavy-Duty Connector screws (SDS), which are provided with the GUs. (Note: lag screws will not achieve the same loads.)
- Alternatively, the 1/4" x 2 1/2" SDS face screws supplied with these hangers may be replaced with 1/4" x 3 1/2" SDS or 1/4" x 5" SDS screws for two-ply or three-ply LVL headers to transfer the hanger load to all plies. This alternate fastener option does not eliminate the need for uniform fastener requirements along the length of the multi-ply header.
- All multiple members must be fastened together to act as a single unit.
- Multiple-member headers may require additional fasteners at the hanger locations. The quantity and location of the additional fasteners must be determined by the designer.

Options:

- Hot-dip galvanized available. Order as "X" version; specify HDG.
- Other seat widths available. Order as "X" version; specify width.

Concealed Flange

- LGU, MGU, HGU and HHGU are available with one flange concealed. Specify flange to conceal.
- Allowable loads for one flange-concealed option:

LGU	1.00 of published load
MGU	0.88 of published load
HGU	0.75 of published load
HHGU	0.75 of published load
- On LGU with W 3 1/4" or less, MGU with W 4" or less and HGU with W 4 1/16" or less, flanges cannot be concealed.

Skewed

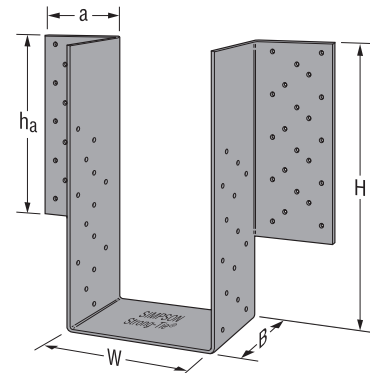
- LGU, MGU, HGU, LGUM and HGUM hangers are available skewed up to 45°.
- Apply the following reduction factors to published loads:

Reduction Factors for Skewed LGU, MGU, HGU

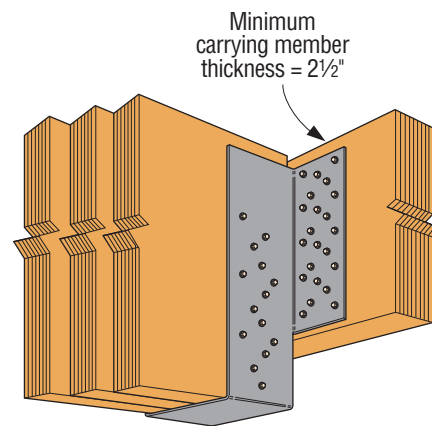
Model	Beam Cut	Download	Uplift
LGU	Square cut	0.90	0.60
	Bevel cut	0.90	0.60
MGU/HGU less than 6" wide	Square cut	0.75	0.65
	Bevel cut	0.80	0.65
MGU/HGU 6" and wider	Bevel cut	0.80	0.55

- Concealed flanges are not available with skewed models.

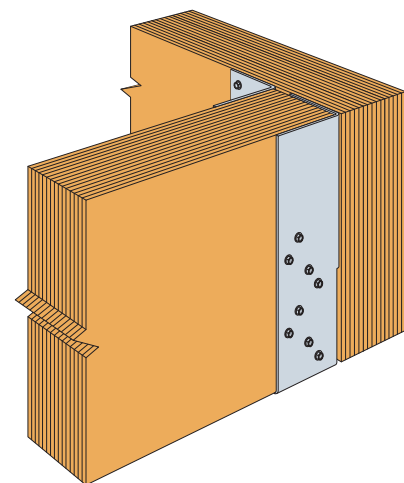
Codes: See p. 11 for Code Reference Key Chart



HHGU
(LGU, MGU, HGU similar)



Typical HHGU Installation



Typical MGU Installation with Right Flange Concealed

LGU/MGU/HGU/HHGU

High-Capacity Girder Hangers (cont.)

These products are available with additional corrosion protection. For more information, see p. 14.

Actual Carried Beam Width (in.)	Model No.	Ga.	Dimensions (in.)						SDS Fasteners		Allowable Loads						Code Ref.
			W	Min. H	Max. H	B	h _a	a	Face	Joist	DF/SP			SPF/HF			
											Uplift	Download		Uplift	Download		
												160	100		115/125	160	
3 1/8	LGU3.25-SDS	10	3 1/4	8	30	4 1/2	7 3/8	3 1/4	(16) 1/4" x 2 1/2"	(12) 1/4" x 2 1/2"	5,555	6,720	7,310	4,775	4,800	5,220	IBC, FL, LA
	LGU3.63-SDS	10	3 5/8	8	30	4 1/2	7 3/8	3 1/4	(16) 1/4" x 2 1/2"	(12) 1/4" x 2 1/2"	5,555	6,720	7,310	4,775	4,800	5,220	
3 1/2	MGU3.63-SDS	10	3 5/8	9 1/4	30	4 1/2	8 5/8	4	(24) 1/4" x 2 1/2"	(16) 1/4" x 2 1/2"	7,260	9,450	9,450	6,245	7,200	7,200	
	HGU3.63-SDS	7	3 5/8	11	30	5 1/4	10 3/8	4 1 1/16	(36) 1/4" x 2 1/2"	(24) 1/4" x 2 1/2"	9,460	13,160	13,160	8,135	10,800	10,800	
5 1/8	LGU5.25-SDS	10	5 1/4	8	30	4 1/2	7 3/8	3 1/4	(16) 1/4" x 2 1/2"	(12) 1/4" x 2 1/2"	5,555	6,720	7,310	4,775	4,800	5,220	
	MGU5.25-SDS	10	5 1/4	9 1/4	30	4 1/2	8 5/8	4	(24) 1/4" x 2 1/2"	(16) 1/4" x 2 1/2"	7,260	9,450	9,450	6,245	7,200	7,200	
	HGU5.25-SDS	7	5 1/4	11	30	5 1/4	10 3/8	4 1 1/16	(36) 1/4" x 2 1/2"	(24) 1/4" x 2 1/2"	9,460	13,160	13,160	8,135	10,800	10,800	
	HHGU5.25-SDS	3	5 1/4	13	30	5 1/4	12 3/8	4 1 1/16	(44) 1/4" x 2 1/2"	(28) 1/4" x 2 1/2"	10,050	18,480	20,455	8,610	13,200	15,180	
5 1/4	MGU5.50-SDS	10	5 1/2	9 1/4	30	4 1/2	8 5/8	4	(24) 1/4" x 2 1/2"	(16) 1/4" x 2 1/2"	7,260	9,450	9,450	6,245	7,200	7,200	
	HGU5.50-SDS	7	5 1/2	11	30	5 1/4	10 3/8	4 1 1/16	(36) 1/4" x 2 1/2"	(24) 1/4" x 2 1/2"	9,460	13,160	13,160	8,135	10,800	10,800	
	HHGU5.50-SDS	3	5 1/2	13	30	5 1/4	12 3/8	4 1 1/16	(44) 1/4" x 2 1/2"	(28) 1/4" x 2 1/2"	10,050	18,480	20,455	8,610	13,200	15,180	
5 1/2	MGU5.62-SDS	10	5 5/8	9 1/4	30	4 1/2	8 5/8	4	(24) 1/4" x 2 1/2"	(16) 1/4" x 2 1/2"	7,260	9,450	9,450	6,245	7,200	7,200	
	HGU5.62-SDS	7	5 5/8	11	30	5 1/4	10 3/8	4 3/4	(36) 1/4" x 2 1/2"	(24) 1/4" x 2 1/2"	9,460	13,160	13,160	8,135	10,800	10,800	
	HHGU5.62-SDS	3	5 5/8	13	30	5 1/4	12 3/8	4 3/4	(44) 1/4" x 2 1/2"	(28) 1/4" x 2 1/2"	10,050	18,480	20,455	8,610	13,200	15,180	
6 3/4	MGU7.00-SDS	10	7	9 1/4	30	4 1/2	8 5/8	4	(24) 1/4" x 2 1/2"	(16) 1/4" x 2 1/2"	7,260	9,450	9,450	6,245	7,200	7,200	
	HGU7.00-SDS	7	7	11	30	5 1/4	10 3/8	4 1 1/16	(36) 1/4" x 2 1/2"	(24) 1/4" x 2 1/2"	9,460	13,160	13,160	8,135	10,800	10,800	
	HHGU7.00-SDS	3	7	13	30	5 1/4	12 3/8	4 1 1/16	(44) 1/4" x 2 1/2"	(28) 1/4" x 2 1/2"	14,550	18,480	20,455	12,165	13,200	15,180	
7	HGU7.25-SDS	7	7 1/4	11	30	5 1/4	10 3/8	4 1 1/16	(36) 1/4" x 2 1/2"	(24) 1/4" x 2 1/2"	9,460	13,160	13,160	8,135	10,800	10,800	
	HHGU7.25-SDS	3	7 1/4	13	30	5 1/4	12 3/8	4 1 1/16	(44) 1/4" x 2 1/2"	(28) 1/4" x 2 1/2"	14,550	18,480	20,455	12,525	13,200	15,180	
8 3/4	HGU9.00-SDS	7	9	11	30	5 1/4	10 3/8	4 1 1/16	(36) 1/4" x 2 1/2"	(24) 1/4" x 2 1/2"	9,460	13,160	13,160	8,135	10,800	10,800	
	HHGU9.00-SDS	3	9	13	30	5 1/4	12 3/8	4 1 1/16	(44) 1/4" x 2 1/2"	(28) 1/4" x 2 1/2"	14,550	18,480	20,455	12,525	13,200	15,180	
10 3/4	HGU11.00-SDS	7	11	11	30	5 1/4	10 3/8	4 1 1/16	(36) 1/4" x 2 1/2"	(24) 1/4" x 2 1/2"	9,460	13,160	13,160	8,135	10,800	10,800	
	HHGU11.00-SDS	3	11	13	30	5 1/4	12 3/8	4 3/4	(44) 1/4" x 2 1/2"	(28) 1/4" x 2 1/2"	14,550	18,480	20,455	12,525	13,200	15,180	
13 3/4	HHGU14.00-SDS	3	14	13	30	5 1/4	12 3/8	4 3/4	(44) 1/4" x 2 1/2"	(28) 1/4" x 2 1/2"	14,550	18,480	20,455	12,525	13,200	15,180	—

1. Uplift loads have been increased for earthquake or wind loading with no further increase allowed. Reduce where other loads govern.
2. Header height shall be greater than or equal to flange height (h_a).
3. **Fasteners:** SDS screws are Simpson Strong-Tie® Strong-Drive® SDS Heavy-Duty Connector screws. See pp. 21–22 for fastener information.