

Outdoor Accents®

Decorative Hardware

The Outdoor Accents decorative hardware product line features connectors and fasteners that bring beauty and strength to custom outdoor living structures. The two connector designs — Mission Collection® and Avant Collection™ — offer a choice of styles, from ornate and traditional to clean and simple. Both collections install with an innovative, load-rated hex-head washer and fastener combination, delivering the appearance of a bolt while providing the easy installation and convenience of a screw.

Outdoor Accents connectors include post bases to secure wood columns to concrete while providing a 1" stand-off height that helps reduce decay. These bases accommodate lumber in both nominal and rough sizes. Optional decorative side plates are available to give the look of a four-sided post base.

Angles make connections between beams and posts stronger and provide more consistent, straight corners for a variety of outdoor projects. Flat T and L straps provide reinforcement for connections where one lumber piece intersects another at a 90° angle. The deck joist tie attaches 2x joists to the side of 4x or larger support posts. Both collections also feature gable plates and decorative washers to add flair to any outdoor living project.

Additionally, the Essentials Collection features concealed flange hangers that work with both styles and the Accessories Collection features products that add decorative accents to any project.

Material: See tables

Finish: ZMAX® coating with black powder coat

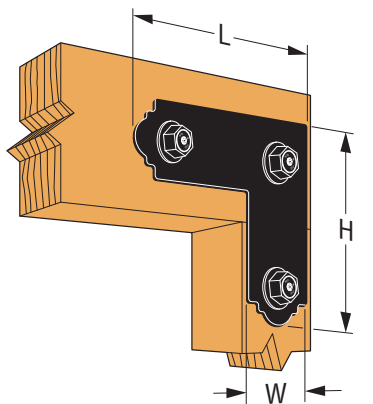
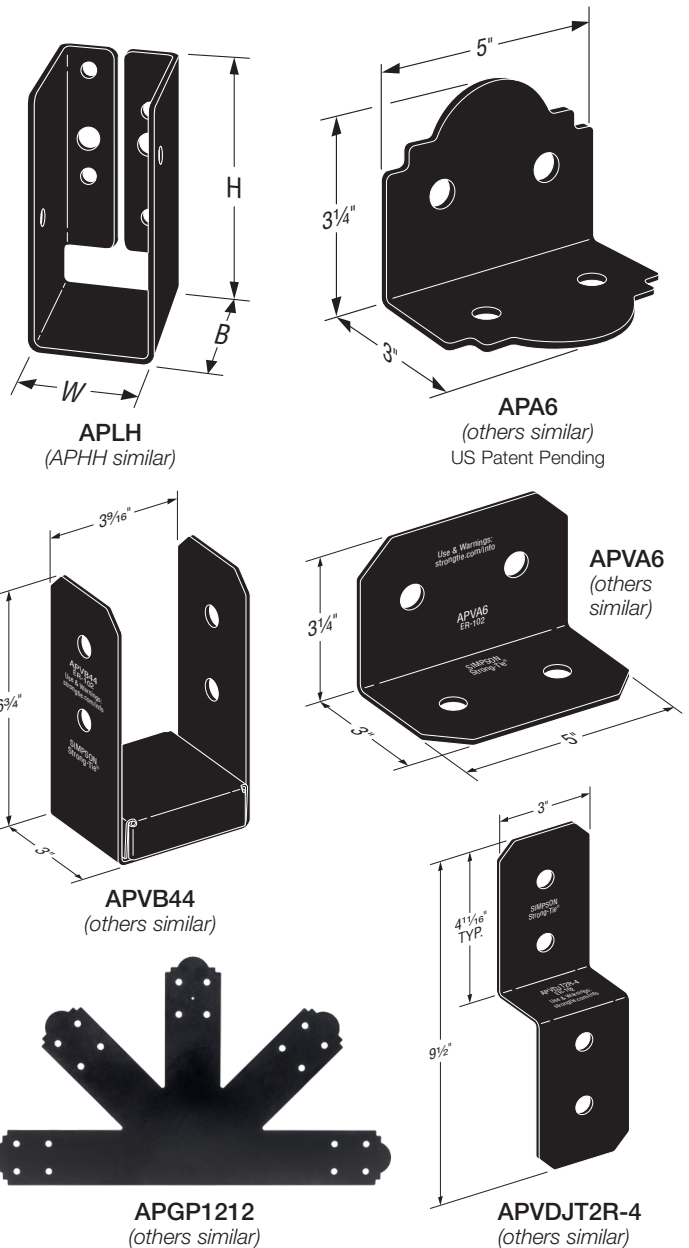
Installation:

- Use all specified fasteners; see General Notes
- Outdoor Accents connectors must be installed with the Hex-Head Washer (STN22) and Structural Wood screw (SDWSDBB) combination. Some items require Strong-Drive® SD Connector screws.

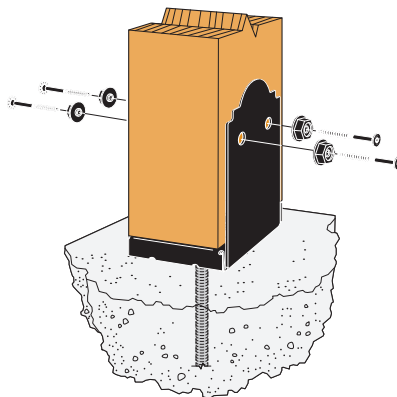
Codes: See p. 13 for Code Reference Key Chart

Web Applications:

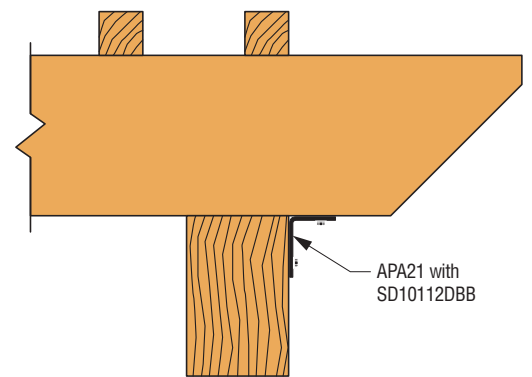
- Visit app.strongtie.com/pps to access our Pergola Planner Software™.
- Visit app.strongtie.com/agpd to access our Architectural Gable Plate Designer.



Typical APL4 Installation



Typical APB Installation



Typical APA21 Installation

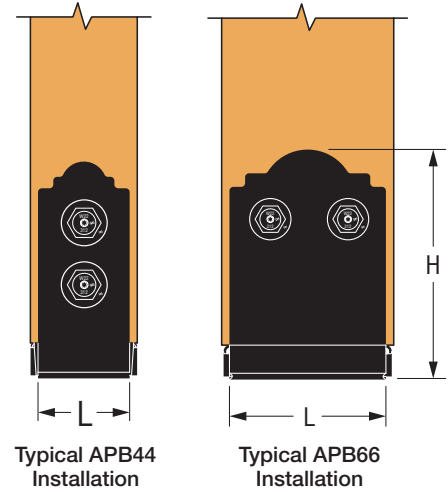
APA21 with SD10112DBB

Outdoor Accents® — Mission Collection®

Decorative Hardware

Post Bases

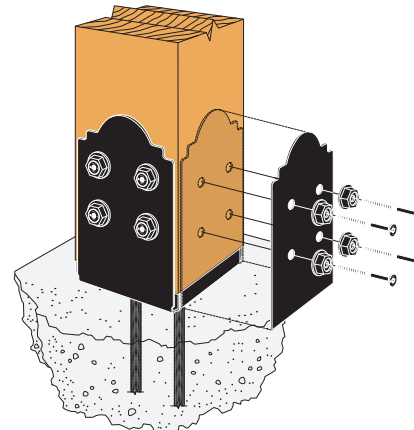
Model No.	Ga.		Dimensions (in.)			Fastener Qty.		DF/SP Allowable Loads		Code Ref.
	Base	Strap	L	W	H	Column	Anchor	Uplift (160)	Down (100)	
APB3.75	16	12	3	3¾	6¾	4	(1) ½	1,035	6,725	IBC®, FL, LA
APB44	16	12	3	3¾	7	4	(1) ½	1,035	6,725	
APB44R	16	12	3	4¼	6¾	4	(1) ½	1,035	6,725	
APB66	12	12	5	5½	7½	4	(1) ½	1,260	11,450	
APB66R	12	12	5	6	7¼	4	(1) ½	1,260	11,450	
APB88	14	12	7	7½	10¾	8	(2) ½	2,670	22,255	
APB88R	14	12	7	8	10¾	8	(2) ½	2,670	22,255	
APB1010	14	12	9	9½	11	8	(2) ½	2,365	23,725	
APB1010R	14	12	9	10	10¾	8	(2) ½	2,365	23,725	



1. Uplift loads have been increased for earthquake or wind loading with no further increase allowed. Reduce where other loads govern.
2. Downloads may not be increased for short-term loading.
3. Specifier is to design concrete and anchorage for uplift loads. Visit strongtie.com for more information about [mechanically galvanized](#) or stainless-steel Titen HD® or SET-3G™ applications.
4. Downloads shall be reduced where limited by capacity of the post.
5. All post fasteners are Outdoor Accents SDWS22312DBB structural wood screws inserted through an STN22 hex-head washer.
6. Post bases do not provide adequate resistance to prevent members from rotating about the base and therefore are not recommended for installations that lack top support (such as fences or unbraced carports).
7. Fasteners sold separately.

Decorative Side Plates

Model No.	Ga.	Dimensions (in.)		Fastener Qty.
		W	H	
APB44DSP	12	3	6¾	4
APB66DSP		5	7¼	
APB88DSP		7	10¾	8
APB1010DSP		9	10¾	



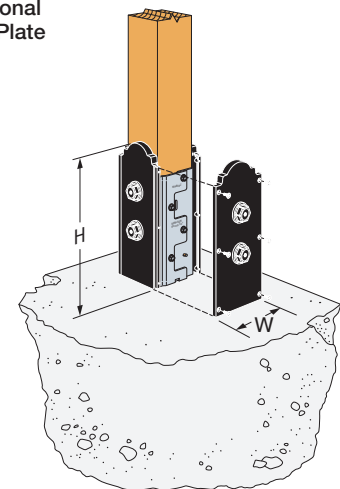
APB88 with Optional Decorative Side Plate

1. All fasteners are a Outdoor Accents SDWS22312DBB inserted through an STN22 hex-head washer. Quantities listed are for two parts.
2. Install top of decorative side plates flush to top of post base strap legs. Decorative side plates installed on APB post bases will be raised up ¼" from the bottom of the post base, while installations on rough models will not.
3. Fasteners sold separately.

Decorative Post Base Wrap

Model No.	Post Size	Height (in.)	Installs With	Coating Material	Packaging Quantity
APBDW44	4x4 post	10¾	(12) black screws (included)	Composite plastic	(1) 4-sided set
APBDW66	6x6 post	11¾			

1. Wraps around the MPBZ moment post base as well as the CBSQ, ABUZ, ABWZ and ABAZ post bases (only with screw and nail applications; will not work over bolts).



APBDW44

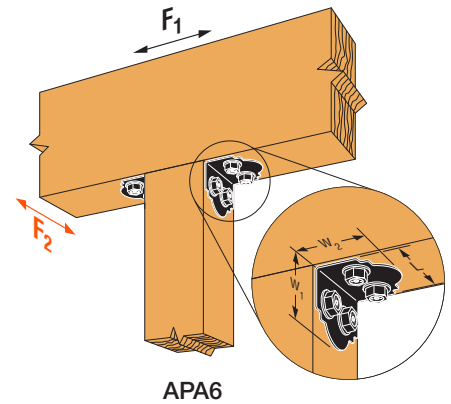
Outdoor Accents® — Mission Collection®

Decorative Hardware

Heavy Angles

Model No.	Ga.	Dimensions (in.)			Fastener Qty.		DF/SP Allowable Loads			Code Ref.
		L	W ₁	W ₂	Column	Beam	Uplift (160)	F ₁ (160)	F ₂ (100/160)	
APA4	12	3	3¼	3	2	2	710	1,220	380	IBC®, FL, LA
APA6	12	5	3¾	3½	4	4	1,350	1,985	1,215	

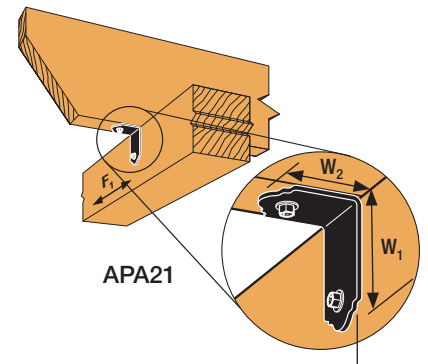
1. Allowable loads have been increased for wind or earthquake loading with no further increase allowed. Reduce where other loads govern.
2. Connector table loads and fastener quantities are listed for two parts. For single part installations, use half the listed values.
3. All fasteners are Outdoor Accents SDWS22312DBB structural wood screws inserted through an STN22 hex-head washer.
4. Fasteners sold separately.



Light Rafter Tie

Model No.	Ga.	Dimensions (in.)			Fastener Qty.		DF/SP Allowable Loads		Code Ref.
		L	W ₁	W ₂	Column	Beam	Uplift (160)	F ₁ (160)	
APA21	14	1¾	2	1½	1	1	200	120	IBC, FL, LA

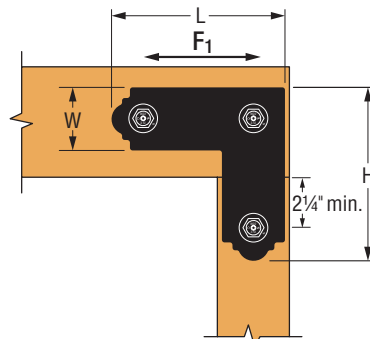
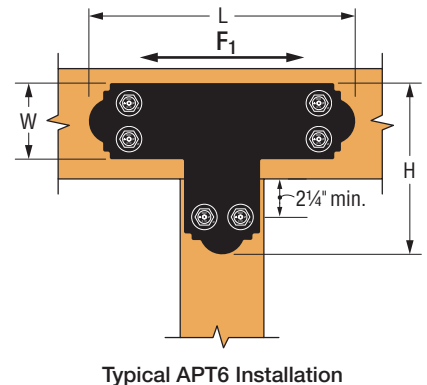
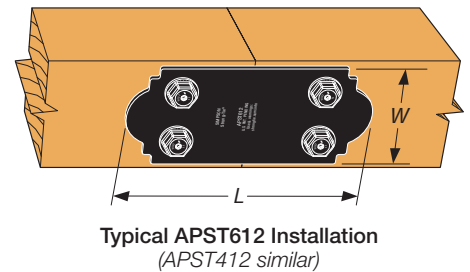
1. Allowable loads have been increased for wind or earthquake loading with no further increase allowed. Reduce where other loads govern.
2. Allowable loads and fastener quantities are for a single part.
3. All fasteners are Outdoor Accents SD10112DBB connector screws.
4. Fasteners sold separately.



Beam-to-Column Ties and Flat Straps

Model No.	Ga.	Dimensions (in.)			Fastener Qty.		DF/SP Allowable Loads		Code Ref.
		W	L	H	Column	Beam	Uplift/Tension (160)	F ₁ (160)	
APL4	12	3	8¼	8¼	2	4	1,155	670	IBC, FL, LA
APL6	12	5	11¼	11¼	4	6	1,905	1,340	
APT4	12	3	13½	8¼	2	4	1,330	1,015	
APT6	12	5	17½	11¼	4	8	2,130	1,425	
APST412	12	3	11¼	—	—	8	850	—	—
APST612	12	5	11¼	—	—	8	1,505	—	

1. Allowable loads have been increased for wind or earthquake loading with no further increase allowed. Reduce where other loads govern.
2. Connector table loads and fastener quantities are listed for two parts. For single part installations, use half the listed values.
3. All fasteners are Outdoor Accents SDWS22312DBB structural wood screws inserted through an STN22 hex-head washer.
4. Fasteners sold separately.



Web Applications:

- Visit app.strongtie.com/pbs to access our Post-to-Beam Selector.
- Visit app.strongtie.com/agpd to access our Architectural Gable Plate Designer.

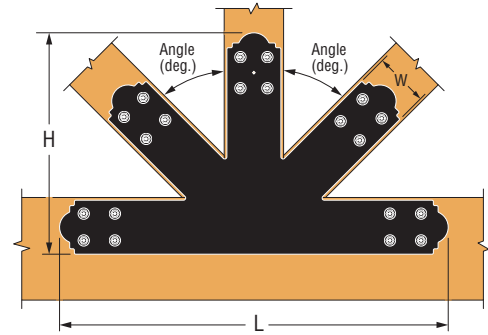


Outdoor Accents® — Mission Collection®

Decorative Hardware

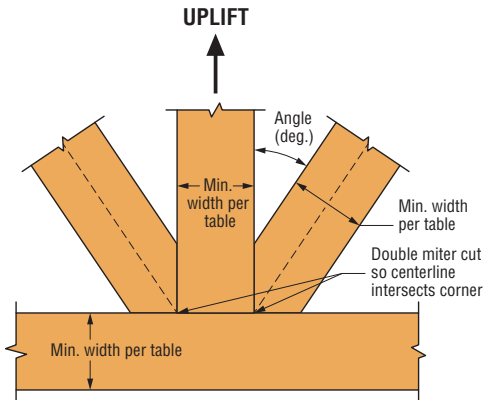
Gable Plates

Model No.	Ga.	Roof Pitch	Angle (deg.)	Dimensions (in.)			Fastener Qty.			DF/SP Allowable Loads		Code Ref.
				W	H	L	Beam	Center Column	Angled Struts	Uplift (160)		
APGP612	12	6:12	27°	5	20½	36	16	8	16	3,925	—	
APGP812		8:12	34°									
APGP1212		12:12	45°									

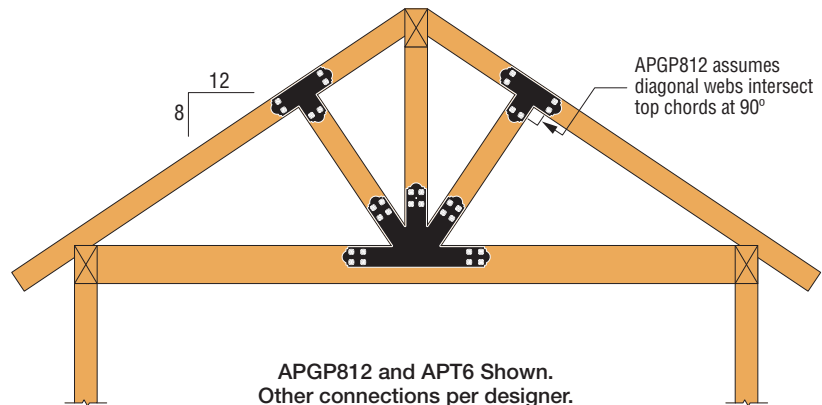


APGP1212

1. Allowable loads have been increased for wind or earthquake loading with no further increase allowed. Reduce where other loads govern.
2. Connector table loads and fastener quantities are listed for two parts. For single part installations, use half the listed values.
3. Uplift loads apply to the connection between the center vertical post and the beam.
4. All fasteners are a Outdoor Accents SDWS22312DBB inserted through an STN22 hex-head washer. Quantities listed are for two parts.
5. Fasteners sold separately.



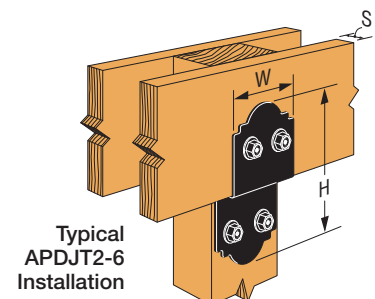
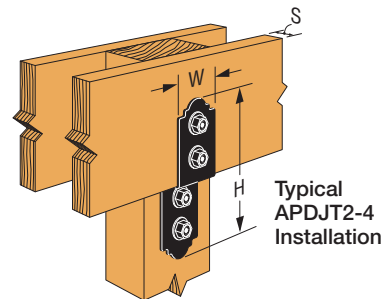
Note: 12:12 will have equal cuts. Other sizes will have unequal cuts.



APGP812 and APT6 Shown. Other connections per designer.

Deck Joist Tie

Model No.	Ga.	Dimensions (in.)			Fastener Quantity and Length		DF/SP Allowable Down Loads		Code Ref.
		S	W	H	Column	Joist	Floor (100)	Roof (125)	
APDJT2-4	12	1½	3	10	(2) 3½"	(2) 5½"	1,870	2,340	IBC®, FL, LA
APDJT1.75-4	12	1¾	3	9¾	(2) 3½"	(2) 5½"	1,870	2,340	
APDJT2R-4	12	2	3	9½	(2) 3½"	(2) 5½"	1,870	2,340	
APDJT2-6	12	1½	5	10	(2) 3½"	(2) 5½"	1,870	2,340	
APDJT1.75-6	12	1¾	5	9¾	(2) 3½"	(2) 5½"	1,870	2,340	
APDJT2R-6	12	2	5	9½	(2) 3½"	(2) 5½"	1,870	2,340	



1. Roof loads are 125% of floor loads unless limited by other criteria. Floor loads may be adjusted for load durations according to the code provided they do not exceed those in the roof column.
2. Allowable loads and fastener quantities are per part. APDJT1.75 model loads for Western Red Cedar are 1,430 lb. floor (100) and 1,790 lb. roof (125).
3. Joist fastener is an Outdoor Accents SDWS22512DBB structural wood screw inserted through an STN22 hex-head washer. Post fastener is an SDWS22312DBB structural screw inserted through an STN22 hex-head washer.
4. Fasteners sold separately.

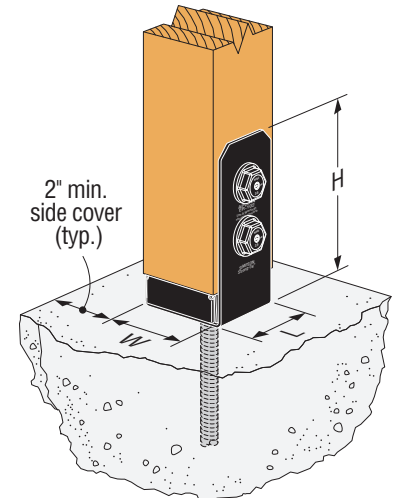
Outdoor Accents® — Avant Collection™

Decorative Hardware

Post Base

Model No.	Ga.		Dimensions (in.)			Fastener Qty.		DF/SP Allowable Loads		Code Ref.
	Base	Strap	L	W	H	Column	Anchor Dia. (in.)	Uplift (160)	Down (100)	
APVB44	16	12	3	3 ⁹ / ₁₆	6 ³ / ₄	4	(1) ⁵ / ₈	1,035	6,725	IBC®, FL, LA
APVB44R	16	12	3	4 ¹ / ₁₆	6 ¹ / ₂	4	(1) ⁵ / ₈	1,035	6,725	
APVB66	12	12	5	5 ¹ / ₂	6 ¹³ / ₁₆	4	(1) ⁵ / ₈	1,260	11,450	
APVB66R	12	12	5	6	6 ⁹ / ₁₆	4	(1) ⁵ / ₈	1,260	11,450	
APVB88	14	12	7	7 ¹ / ₂	9 ⁷ / ₈	8	(2) ⁵ / ₈	2,670	22,255	
APVB88R	14	12	7	8	9 ⁵ / ₈	8	(2) ⁵ / ₈	2,670	22,255	
APVB1010	14	12	9	9 ¹ / ₂	9 ³ / ₄	8	(2) ⁵ / ₈	2,365	23,725	
APVB1010R	14	12	9	10	9 ¹ / ₂	8	(2) ⁵ / ₈	2,365	23,725	

- Uplift loads have been increased for wind or earthquake loading with no further increase allowed. Reduce where other loads govern.
- Downloads may not be increased for short-term loading.
- Specifier is to design concrete and anchorage for uplift loads. Visit strongtie.com for more information about **mechanically galvanized** or stainless-steel Titen HD® or SET-3G™ applications.
- Downloads shall be reduced where limited by capacity of the post.
- All column fasteners are Outdoor Accents SDWS22312DBB structural wood screws inserted through an STN22 hex-head washer.
- Column bases do not provide adequate resistance to prevent members from rotating about the base and therefore are not recommended for installations that lack top support (such as fences or unbraced carports).
- Fasteners sold separately.

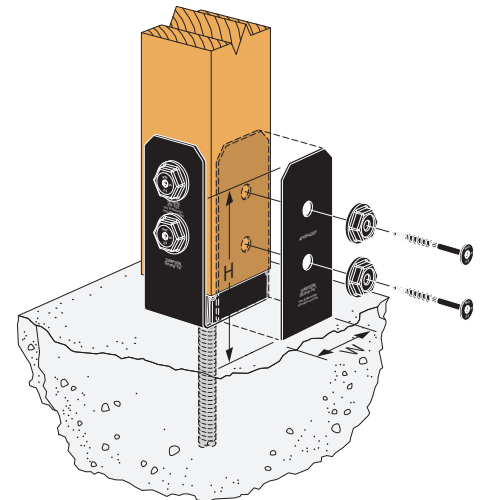


APVB44

Decorative Side Plates

Model No.	Ga.	Dimensions (in.)		Fastener Qty.
		W	H	
APVB44DSP	12	3	6 ¹ / ₂	4
APVB66DSP		5	6 ⁹ / ₁₆	
APVB88DSP		7	9 ⁵ / ₈	8
APVB1010DSP		9	9 ¹ / ₂	

- All fasteners are Outdoor Accents SDWS22312DBB inserted through an STN22 hex-head washer. Quantities listed are for two parts.
- Install top of decorative side plates flush to top of post base strap legs. Decorative side plates installed on APVB post bases will be raised up ¹/₄" from the bottom of the post base, while installations on rough models will not.
- Fasteners sold separately.

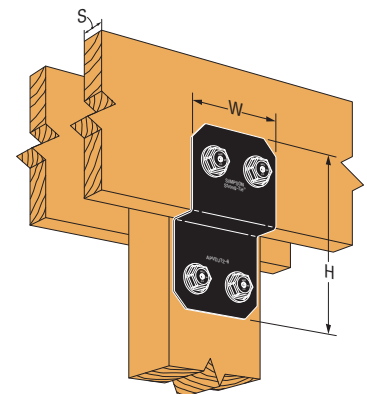


APVB44DSP shown with APVB44 post base

Deck Joist Tie

Model No.	Ga.	Dimensions (in.)			Fastener Quantity and Length		DF/SP Allowable Down Loads		Code Ref.
		S	W	H	Column	Joist	Floor (100)	Roof (125)	
APVDJT2-4	12	1 ¹ / ₂	3	10	(2) 3 ¹ / ₂ "	(2) 5 ¹ / ₂ "	1,870	2,340	IBC, FL, LA
APVDJT1.75-4	12	1 ³ / ₄	3	9 ³ / ₄	(2) 3 ¹ / ₂ "	(2) 5 ¹ / ₂ "	1,870	2,340	
APVDJT2R-4	12	2	3	9 ¹ / ₂	(2) 3 ¹ / ₂ "	(2) 5 ¹ / ₂ "	1,870	2,340	
APVDJT2-6	12	1 ¹ / ₂	5	8 ¹ / ₂	(2) 3 ¹ / ₂ "	(2) 5 ¹ / ₂ "	1,870	2,340	
APVDJT1.75-6	12	1 ³ / ₄	5	8 ¹ / ₄	(2) 3 ¹ / ₂ "	(2) 5 ¹ / ₂ "	1,870	2,340	
APVDJT2R-6	12	2	5	8	(2) 3 ¹ / ₂ "	(2) 5 ¹ / ₂ "	1,870	2,340	

- Roof loads are 125% of floor loads unless limited by other criteria. Floor loads may be adjusted for load durations according to the code, provided they do not exceed those in the roof column.
- Allowable loads and fastener quantities are per part. APVDJT1.75 model loads for Western Red Cedar are 1,430 lb. floor (100) and 1,790 lb. roof (125).
- Joist fastener is an Outdoor Accents SDWS22512DBB structural wood screw inserted through an STN22 hex-head washer. Column fastener is an SDWS22312DBB structural screw inserted through an STN22 hex-head washer.
- Fasteners sold separately.



APVDJT2-6

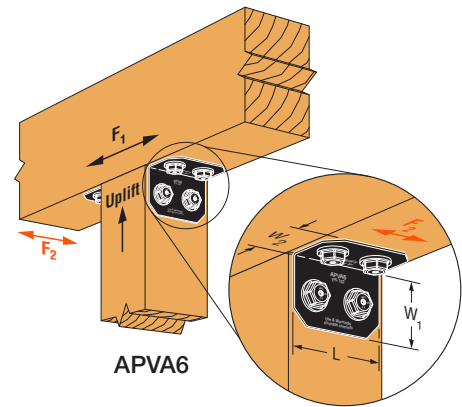
Outdoor Accents® — Avant Collection™

Decorative Hardware

Heavy Angles

Model No.	Ga.	Dimensions (in.)			Fastener Quantity		DF/SP Allowable Loads			Code Ref.
		L	W ₁	W ₂	Column	Beam	Uplift (160)	F ₁ (160)	F ₂ (100/160)	
APVA4	12	3	3¼	3	2	2	710	1,220	380	IBC®, FL, LA
APVA6	12	5	3¼	3	4	4	1,350	1,985	1,215	

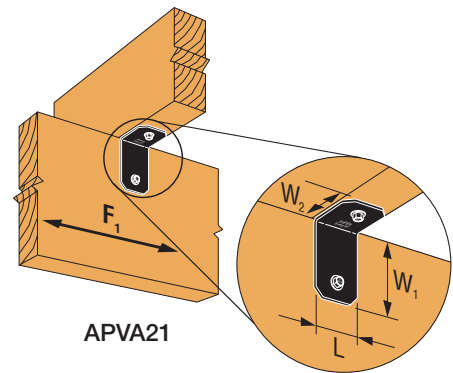
1. Allowable loads have been increased for wind or earthquake loading with no further increase allowed. Reduce where other loads govern.
2. Connector table loads and fastener quantities are listed for two parts. For single part installations, use half the listed values.
3. All fasteners are Outdoor Accents SDWS22312DBB structural wood screws inserted through an STN22 hex-head washer.
4. Fasteners sold separately.



Light Rafter Tie

Model No.	Ga.	Dimensions (in.)			Fastener Quantity		DF/SP Allowable Loads		Code Ref.
		L	W ₁	W ₂	Column	Beam	Uplift (160)	F ₁ (160)	
APVA21	14	1½	2	1½	1	1	200	120	IBC, FL, LA

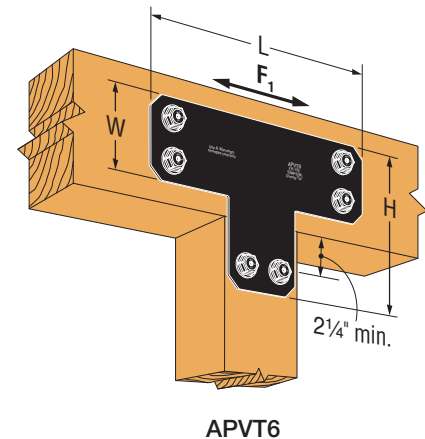
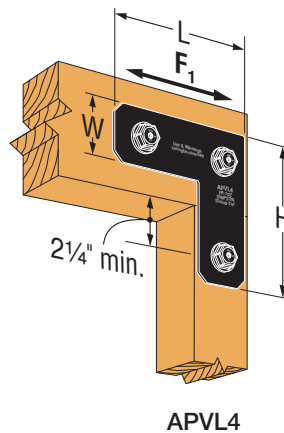
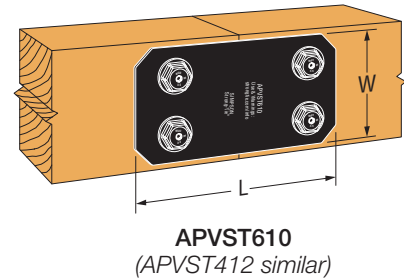
1. Allowable loads have been increased for wind or earthquake loading with no further increase allowed. Reduce where other loads govern.
2. Allowable loads and fastener quantities are for a single part.
3. All fasteners are Outdoor Accents SD10112DBB connector screws.
4. Fasteners sold separately.



Beam-to-Column Ties and Flat Straps

Model No.	Ga.	Dimensions (in.)			Fastener Quantity		DF/SP Allowable Loads		Code Ref.
		W	L	H	Column	Beam	Uplift (160)	F ₁ (160)	
APVL4	12	3	8¼	8¼	2	4	1,155	670	IBC, FL, LA
APVL6	12	5	10½	10½	4	6	1,905	1,340	
APVT4	12	3	13½	8¼	2	4	1,330	1,015	
APVT6	12	5	16	10½	4	8	2,130	1,425	—
APVST412	12	3	11¼	—	—	8	850	—	
APVST610	12	5	9¾	—	—	8	1,505	—	

1. Allowable loads have been increased for wind or earthquake loading with no further increase allowed. Reduce where other loads govern.
2. Connector table loads and fastener quantities are listed for two parts. For single part installations, use half the listed values.
3. All fasteners are Outdoor Accents SDWS22312DBB structural wood screws inserted through an STN22 hex-head washer.
4. Fasteners sold separately.



Web Applications:

- Visit app.strongtie.com/pbs to access our Post-to-Beam Selector.
- Visit app.strongtie.com/agpd to access our Architectural Gable Plate Designer.



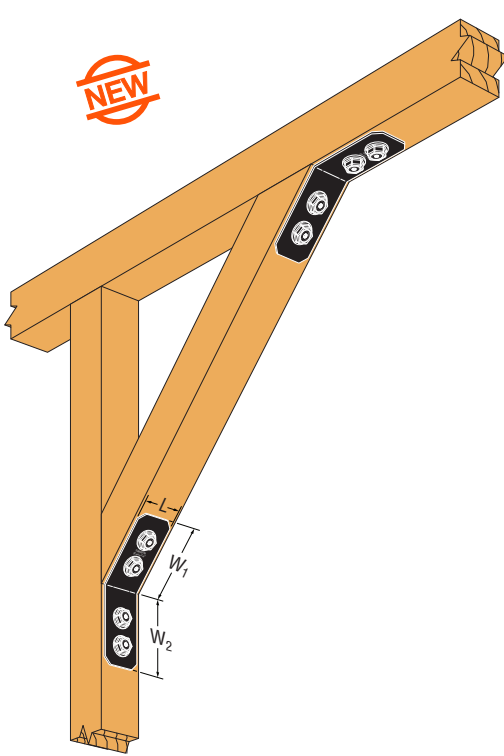
Outdoor Accents® — Avant Collection™

Decorative Hardware

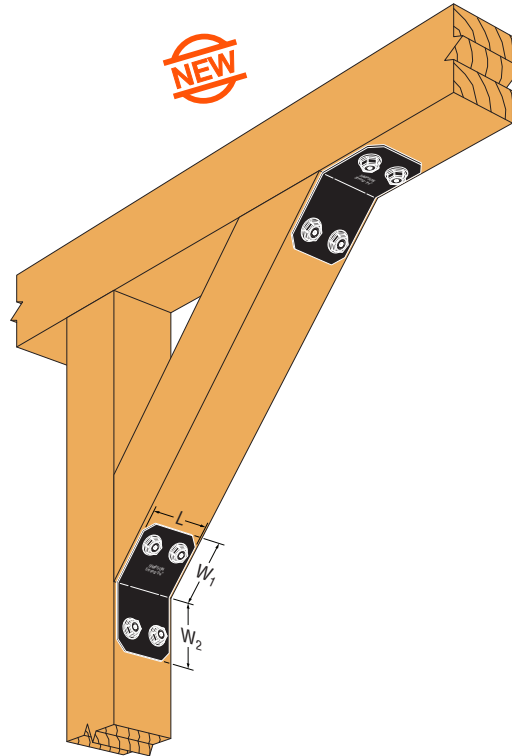
Knee Braces

Model No.	Ga.	Dimensions (in.)			Fastener Quantity	
		L	W ₁	W ₂	Column or Beam	Knee Brace
APVKB45-4	12	3	5%	5%	2	2
APVKB45-6	12	5	4%	4%	2	2

1. All fasteners are Outdoor Accents SDWS22312DBB inserted through an STN22 hex-head washer. Quantities listed are for one part.
2. Fasteners sold separately.



Typical APVKB45-4 Installation
(other connections per designer)



Typical APVKB45-6 Installation
(other connections per designer)

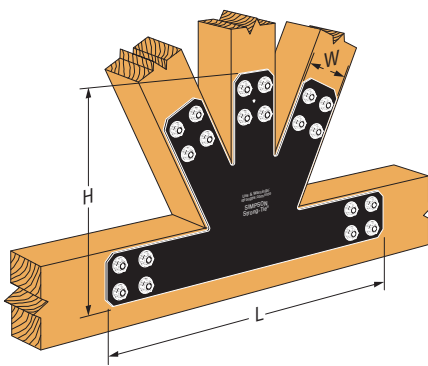
Outdoor Accents® — Avant Collection™

Decorative Hardware

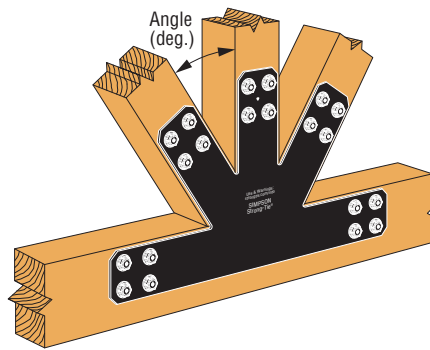
Gable Plates

Model No.	Ga.	Roof Pitch	Angle (deg.)	Minimum Wood Member Width (in.)	Dimensions (in.)			Fastener Quantity			DF/SP Allowable Loads	Code Ref.
					W	H	L	Beam	Center Column	Angled Struts	Uplift (160)	
APVGP612	12	6:12	27°	5½	5	19¾	34½	16	8	16	3,925	—
APVGP812		8:12	34°	5½								
APVGP1212		12:12	45°	5½								
APVGP1212-4		12:12	45°	3½	3	11½	20	8	4	8	2,195	

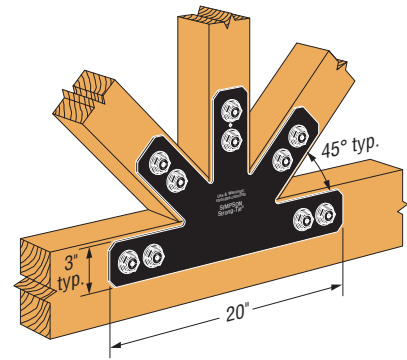
1. Allowable loads have been increased for wind or earthquake loading with no further increase allowed. Reduce where other loads govern.
2. Connector table loads and fastener quantities are listed for two parts. For single part installations, use half the listed values.
3. Uplift loads apply to the connection between the center vertical post and the beam.
4. All fasteners are Outdoor Accents SDWS22312DBB inserted through an STN22 hex-head washer. Quantities listed are for two parts.
5. Fasteners sold separately.



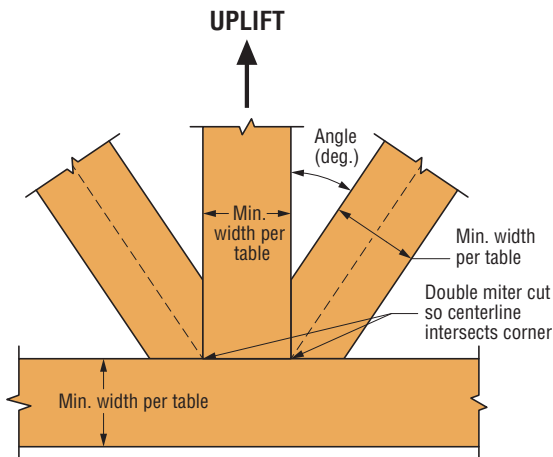
APVGP612



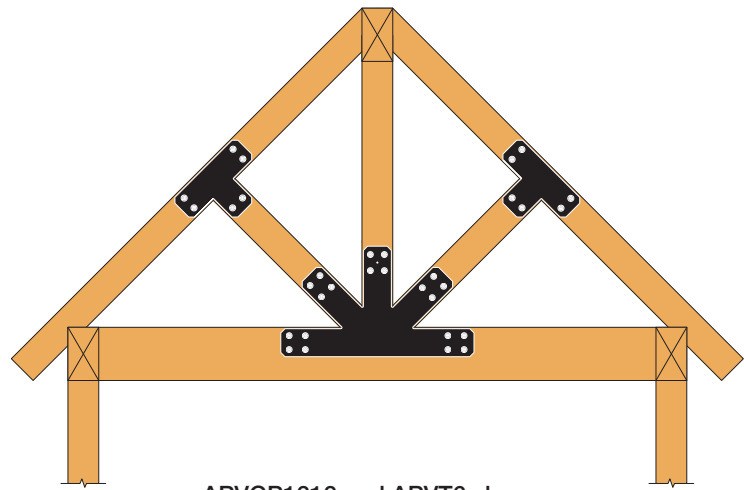
APVGP812



APVGP1212-4



Note: 12:12 will have equal cuts.
Other sizes will have unequal cuts.



APVGP1212 and APVT6 shown.
(other connectors not shown for clarity, connections and roof pitch designed by others.)

Decorative Hardware



Visit app.strongtie.com/agpd to access Architectural Gable Plate Designer web application for specifying Outdoor Accents gable plates.



Visit app.strongtie.com/pps to access pre-built templates for your project in Pergola Planner Software™.