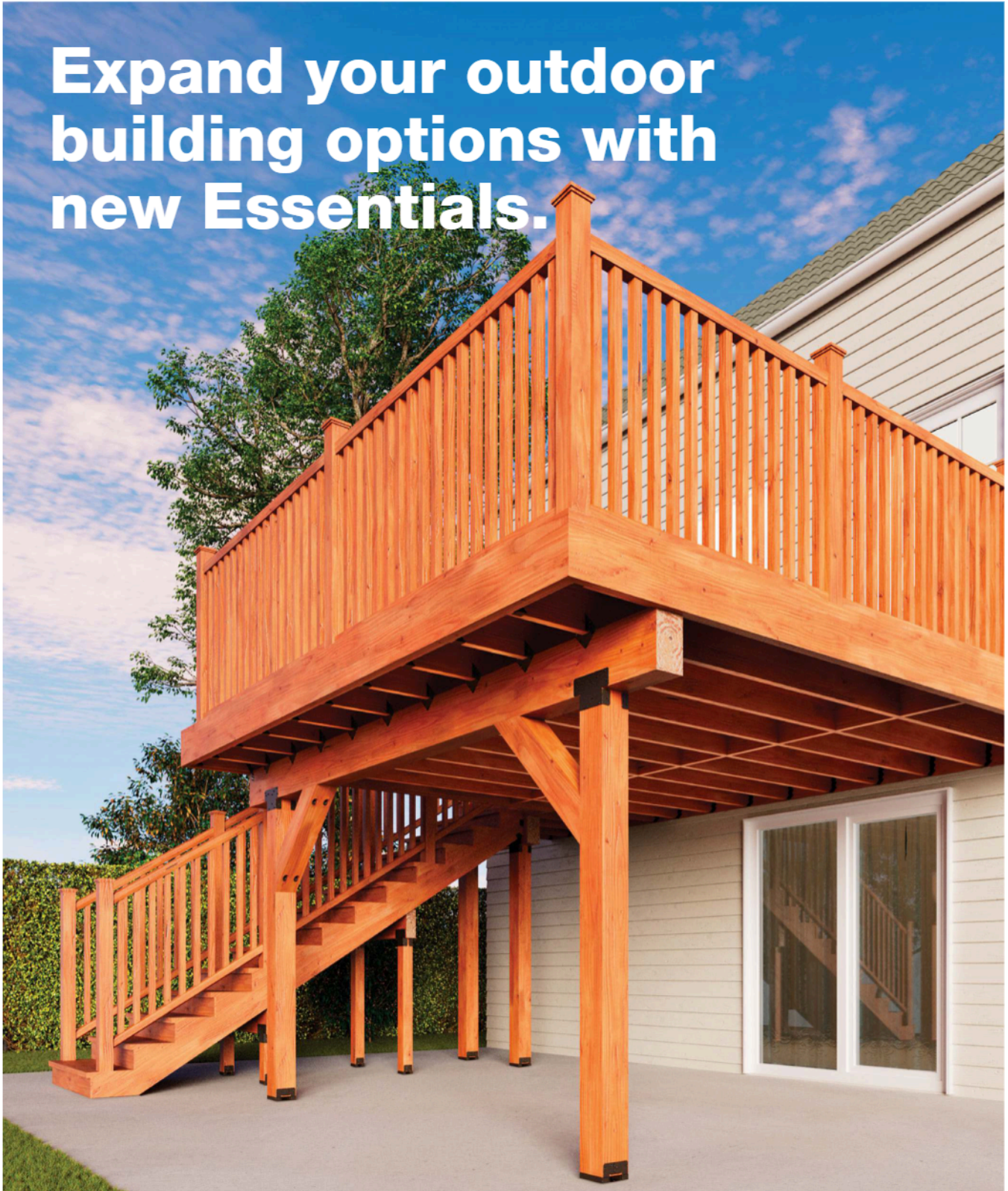


SIMPSON

Strong-Tie

Outdoor Accents[®]
decorative hardware

**Expand your outdoor
building options with
new Essentials.**





Outdoor Accents[®]
decorative hardware

Strong. Stylish. Smart.

Now you can build custom outdoor structures with a wide-ranging selection of decorative hardware that is load rated, easy to install and readily available. New connectors and fasteners are now part of the expanding Outdoor Accents[®] Essentials hardware line. These structural solutions are ideal for decks, fences, patio covers, pergolas and other projects.

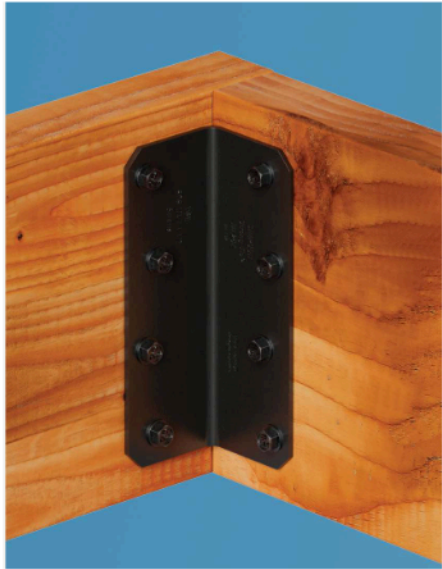
Essentials products include joist hangers, stair-stringer connectors, angles, post bases and caps, hurricane ties, and fasteners. The connectors are made of ZMAX[®]-galvanized steel for superior corrosion resistance and feature a stylish black powder-coat finish for added beauty. New additions to Essentials include structural connectors that are popular among outdoor builders, as well as new fastener options that have a double-barrier black coat for corrosion protection and are color-matched and compatible with Outdoor Accents connectors. In tandem with our Mission Collection[®], Avant Collection[™] and Sage System[™], Essentials connectors and fasteners let you build just about any outdoor structure you want with strength, style and timeless appeal.



Key features

- Structural connectors that are already favorites among outdoor builders are now available off the shelf in a beautiful black finish
- Connectors are tested and load rated
- ZMAX-galvanized steel with a black powder-coating finish is exterior rated and provides superior corrosion resistance
- Fasteners have a double-barrier black coating for corrosion protection
- Color-matched screws are compatible with Outdoor Accents connectors
- Easy-to-install connectors and screws make building outdoor structures faster

Learn more about Outdoor Accents Essentials at go.strongtie.com/outdooraccents or call (800) 999-5099.



Product descriptions

Structural Connectors

Outdoor Accents® Essentials structural connectors provide strength and beauty for wood-to-wood connections. Each connector is tested and load rated for performance. For a quick reference on compatible fasteners, see the table on page 9.



ABA44PC/ABA66PC adjustable post base

- Secures 4x and 6x wood posts to existing concrete
- Built-in 1" standoff, which meets code requirements and helps prevent end-post rot
- Slotted base allows adjustment for precise positioning



RPBPC retrofit post base

- Reinforces existing posts
- Fits any post size from double 2x4 or larger
- Strengthens new post-base connections for carports, patio covers, decks, and similar structures



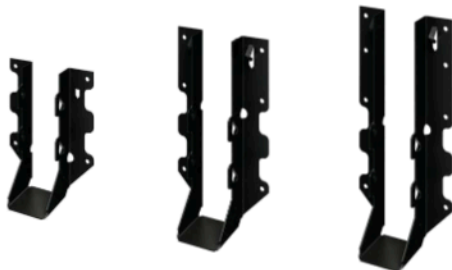
AC4PC/AC6PC adjustable post cap

- Secures beams to posts (installs in pairs)
- Suitable for both new builds and retrofit projects



LCE4PC light post cap for end condition

- Connects beam ends to posts (installs in pairs)
- Fits 4x and 6x lumber
- Suitable for new or retrofit construction
- Tested for mitered end conditions



LUS26PC/LUS28PC/LUS210PC light joist hanger

- Quickly attaches joists to beam or ledger
- Double-shear fastening for higher strength with fewer fasteners
- Model range matches the most typical deck-joist dimensions



APLH concealed-flange light hanger

- Connects 2x joists to beams
- Concealed-flange joist hangers with straight edges for a clean finish
- Available in sizes ranging from 2x4 to 2x12 nominal and rough lumber



APHH concealed-flange heavy hanger

- Connects 4x and 6x beams to girders
- Concealed-flange joist hangers with straight edges for a clean finish
- Offered in model sizes to accommodate a range of 4x and 6x nominal and rough lumber

Structural Connectors



H1APC hurricane tie

- Connects nominal 2x trusses or rafters to walls or beams
- Helps resist wind and seismic forces
- U-shape design allows faster installation compared to installing two single-sided ties



H2.5APC hurricane tie

- Single-sided hurricane tie connects trusses, rafters or joists to the beams or walls for resisting lateral and uplift forces
- Attaches to one side of the lumber member, allowing for use with multiple lumber widths



L70PC/L90PC L-shaped reinforcing angle

- Multi-purpose utility connector
- Load-rated angles with durable construction and versatile fastening options



ML23PC/ML24PC/ML26PC medium angle

- Strong and versatile connector
- Staggered fastener holes reduce wood splitting
- Opposing hole patterns enables back-to-back installation without fastener interference



DTT1PC deck tension tie

- Provides a code-compliant deck-to-house attachment without requiring access to interior floor joists
- Installs on narrow or wide face of a single 2x member
- Ideal for new construction and retrofits



LSCPC adjustable stringer connector

- Concealed connection between stair stringer and header/rim board
- Eliminates costly framing
- Field slopeable to all common stair stringer pitches; suitable for solid or notched stringers
- Reversible for left- or right-hand installation



TA9PC/TA10PC staircase angle

- Load-rated connector ties stair tread to stringer
- Eliminates the need for time-consuming stringer notching

Product descriptions

Rigid Tie® Connectors

Engineered for decorative, nonstructural applications, these connectors simplify assembly and deliver a clean, finished look. Perfect for projects using 2x lumber, the connectors provide reliable connections for furniture, fences and gazebos without complex cuts or fasteners.



APRTC2 Rigid Tie Corner Connector

- Creates durable corner connections with 2x4 lumber — no angle cuts or bolts required
- Ideal for simple projects, such as outdoor dining tables, beverage bars, potting benches or storage units



APRTA2 and APRTA12 Rigid Tie angles

- Provides strong 90° connections without 45° cuts or angled fastening
- Fastens wood on two sides, eliminating the need for angle bracing
- Suitable for any small project requiring a clean 90° joint



APRTR Rigid Tie rail connector

- Connects horizontal 2x lumber to vertical 2x posts
- Versatile solution for fences, railings and utility furniture

Gazebo Ties

Strengthens and stabilizes six-sided gazebo connections



APGT2/APGT6/APGTF Gazebo Ties

- APGT2: Connects a 2x rafter and top plate to a post; reinforces three-way connections
- APGT6: Connects six 2x rafters at the top of a six-sided gazebo
- APGTF: Connects bottom 2x rim joists to a post; installs over post base to adjust rim joist height

H2.5APC
Hurricane Tie
Ties joist/rafter to beam



H1APC
Hurricane Tie
Ties joist/rafter to beam



MLPC
Angle
Ties rim joist to deck joist

TAPC
Staircase Angle
Ties stair tread to stringer



LSCPC
Adjustable Stringer Connector
Ties stair stringer to header or rim joist



LUSPC
Light Joist Hanger
Ties joist to beam



DTT1PC
Deck Tension Tie
Ties deck to house as lateral load connection



LPC
L-Shaped Angle
Ties rim joist to deck joist



ABAPC RPBPC
Post Bases
Ties posts to foundation



ACPC
Post Cap
Ties post to beam



LCEPC
Light Post Cap
Ties post to beam

Product descriptions

Connector and Structural Fasteners

Our code-compliant Outdoor Accents® fasteners are designed for easy installation and a strong, reliable hold. With a variety of head styles and lengths, these screws pair perfectly with Outdoor Accents connectors for a complete decorative solution — ideal for a range of outdoor and indoor applications.



SD9112DBB

SD9112WDBB

SD9212DBB

SD10112DBB

SDS25112DBB

Outdoor Accents Connector Screw and Outdoor Accents Heavy-Duty Connector Screw

- Reduces installation time by driving easily without predrilling
- Black double-barrier coating offers a premium look while providing a medium level of corrosion resistance for many outdoor applications
- Two different head options: hex head and new wafer-head offers low-profile head style
- Sharp point enables fast starts
- Designed for installing Outdoor Accents Essentials connectors



Outdoor Accents Structural Wood Screw

- Use with STN22 hex-head washer (sold separately) for the look of a bolted connection and a code-listed solution in Mission Collection® and Avant Collection™ hangers, as well as APHH heavy joist hanger
- Reduces installation time by driving easily without predrilling
- Patented SawTooth® point (3½" and 5½" screws only) ensures fast starts and reduces installation torque; Type-17 point on 2" screw ensures fast starts

Note: The 2" screw has lower load values than the 3½" and 5½" screws. It may not be substituted where longer screws are required.

Outdoor Accents Hex-Head Washer

- Installed with the structural wood screws, the STN22 hex-head washer provides a structural load-rated solution
- Patented design enables an easier and faster installation time than through-bolting
- Designed to help fasten Outdoor Accents connectors in the Mission and Avant collections as well as the APHH heavy joist hanger

Outdoor Accents Essentials Fastener Compatibility

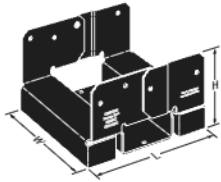
Connector Model No.	#9 x 1½" Connector Screw (SD9112DDBB)	#9 x 1½" Wafer Head Connector Screw (SD9112WDBB)	#9 x 2½" Connector Screw (SD9212DDBB)	#10 x 1½" Connector Screw (SD10112DDBB)	¼" x 1½" Heavy-Duty Connector Screw (SDS25112DDBB)	3½" Structural Wood Screw with Hex-Head Washer (SDWS22312DDBB with STN22)
Post Caps						
AC4PC				●		
AC6PC				●		
LCE4PC				●		
Post Bases						
ABA44PC	●	●				
ABA66PC				●		
RPBPC					●	
Hurricane Ties						
H1APC	●	●				
H2.5APC	●	●				
Deck Tension Tie						
DTT1PC ¹	●	●				
Angles						
L70PC	●	●				
L90PC	●	●				
ML23PC					●	
ML24PC					●	
ML26PC					●	
Adjustable Stringer Connector						
LSCPC	●	●				
Staircase Angles						
TA9PC					●	
TA10PC					●	
Light Hangers						
APLH1.75-6				●		
APLH1.75-10				●		
APLH24				●		
APLH24R				●		
APLH26				●		
APLH26R				●		
APLH210				●		
APLH210R				●		
LUS26PC	●	●	●			
LUS28PC	●	●	●			
LUS210PC	●	●	●			
Heavy Hangers²						
APHH46						●
APHH46R						●
APHH610						●
APHH610R						●
Gazebo Ties						
APGT2	●	●		●		
APGT6	●	●		●		
APGTF				●		
Rigid Tie[®] Connectors						
APRTC2	●	●		●		
APRTA2	●	●		●		
APRTA12 ³						
APRTR				●		

1. Also requires (1) ⅝"-diameter anchor or Strong-Drive[®] SDWH[™] Timber-Hex HDG screw (SDWH27800G).

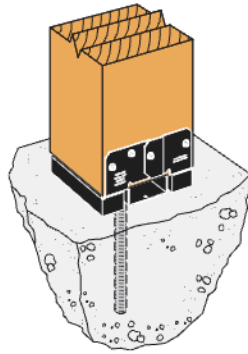
2. Also requires ¼" x 3" Strong-Drive SDS Heavy-Duty Connector Screw (SDS25300).

3. Fasteners are #8 x ¾" screws that are rated for outdoor use.

Outdoor Accents® Essentials



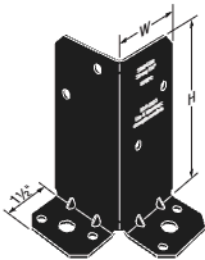
ABA44PC/ABA66PC



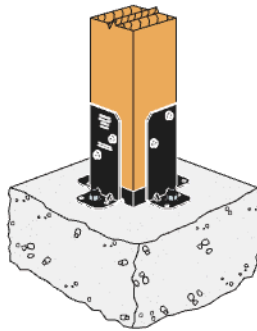
Adjustable Post Base

Model No.	Ga.	Dimensions (in.)			Anchor Dia. (in.)	Fastener Qty. Post
		W	L	H		
ABA44PC	16	3 ³ / ₁₆	3 ³ / ₈	3 ³ / ₁₆	1/2	6
ABA66PC	14	5 1/2	5 ³ / ₈	3 ³ / ₈	5/8	8

1. ABA44PC installs with Outdoor Accents #9 x 1 1/2" connector screws (SD9112DBB) or Outdoor Accents #9 x 1 1/2" wafer-head connector screws (SD9112WDBB).
2. ABA66PC installs with Outdoor Accents #10 x 1 1/2" connector screws (SD10112DBB).
3. Fasteners sold separately.
4. For concrete anchorage, see strongtie.com.



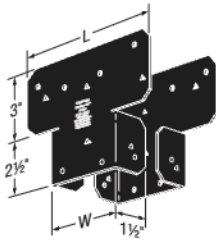
RPBPC



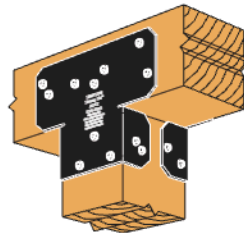
Retrofit Post Base

Model No.	Ga.	Dimensions (in.)		Fastener Qty.	
		W	H	Base	Post
RPBPC	12	2 1/2	5	4	4

1. Installs with Outdoor Accents heavy-duty connector screws (SDS25112DBB).
2. Fasteners are listed per part.
3. Fasteners sold separately.
4. For concrete anchorage, see strongtie.com.



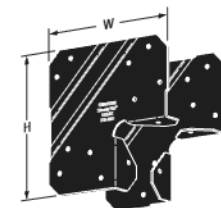
AC4PC/AC6PC



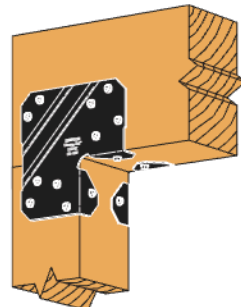
Adjustable Post Cap

Model No.	Ga.	Dimensions (in.)		Fastener Qty.	
		W	L	Beam	Post
AC4PC	18	3 ³ / ₁₆	6 1/2	7	7
AC6PC	18	5 1/2	8 1/2	7	7

1. Post caps install in pairs
2. Installs with Outdoor Accents #10 x 1 1/2" screws (SD10112DBB).
3. Fastener quantities are listed per part.
4. Fasteners sold separately.



LCE4PC



Light Post Cap for End Condition

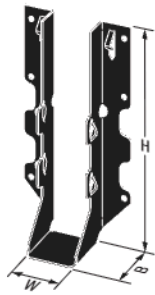
Model No.	Ga.	Dimensions (in.)		Fastener Qty.	
		W	H	Beam	Post
LCE4PC	20	5 ³ / ₈	5 ³ / ₈	7	5

1. Post caps install in pairs
2. Installs with Outdoor Accents #10 x 1 1/2" screws (SD10112DBB).
3. Fastener quantities are listed per part.
4. Fasteners sold separately.

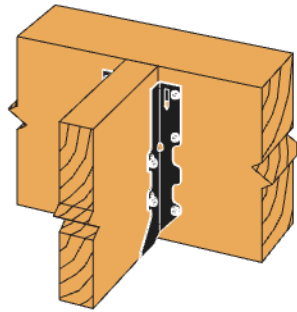
For allowable load tables, visit strongtie.com



Visit app.strongtie.com/hs to access our Hanger Selector web application.



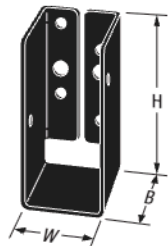
LUS



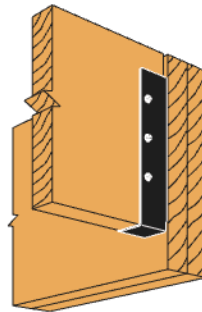
Light Capacity Joist Hanger

Model No.	Joist Size	Ga.	Dimensions (in.)			Fastener Qty.	
			W	H	B	Header	Joist
LUS26PC	2x6, 2x8	18	1 9/16	4 3/4	1 3/4	4	4
LUS28PC	2x8, 2x10			6 5/8		6	
LUS210PC	2x10, 2x12			7 13/16		8	

1. Installs with Outdoor Accents #9 x 1 1/2" connector screws (SD9112DBB) or Outdoor Accents #9 x 1 1/2" wafer-head connector screws (SD9112WDBB) into the header, and Outdoor Accents #9 x 2 1/2" connector screws (SD9212DBB) into the joist.
2. Fasteners sold separately.



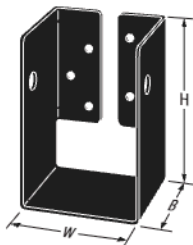
APLH



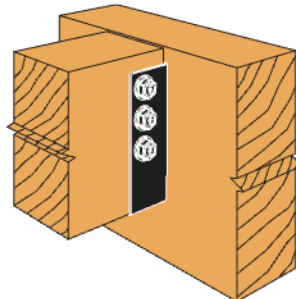
Concealed-Flange Light Hanger

Model No.	Joist Size	Ga.	Dimensions (in.)			Fastener Qty.	
			W	H	B	Header	Joist
APLH24	2x4	14	1 9/16	3 3/16	1 7/8	4	2
APLH24R			2 1/16	3 1/16			
APLH26	2x6 or 2x8	14	1 9/16	5 1/8	1 7/8	6	4
APLH1.75-6			1 13/16	5			
APLH26R			2 1/16	4 7/8			
APLH210	2x10 or 2x12	14	1 9/16	8	1 7/8	10	6
APLH1.75-10			1 13/16	7 7/8			
APLH210R			2 1/16	7 3/4			

1. All fasteners are Outdoor Accents #10 x 1 1/2" connector screws (SD10112DBB).
2. Fasteners sold separately.



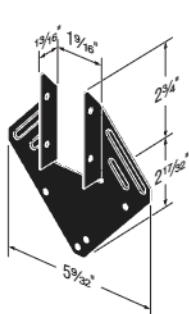
APHH



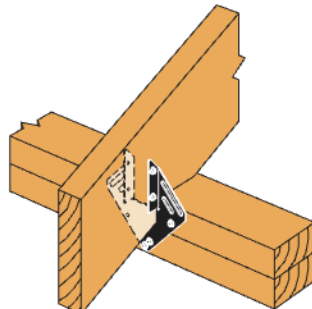
Concealed-Flange Heavy Hanger

Model No.	Joist Size	Ga.	Dimensions (in.)			Fastener Qty.	
			W	H	B	Header	Joist
APHH46	4x6 or 4x8	12	3 3/16	5 1/8	3	6	2
APHH46R			4 1/16	4 7/8			
APHH610	6x10 or 6x12	12	5 1/2	8 1/2	3	14	6
APHH610R			6	8 1/4			

1. All fasteners are Strong-Drive® SDS Heavy-Duty Connector screws (SDS25300) to the header and Outdoor Accents 3 1/2" structural wood screws (SDWS22312DBB) with STN22 hex-head washer to the joist.
2. Fasteners sold separately.



H1APC



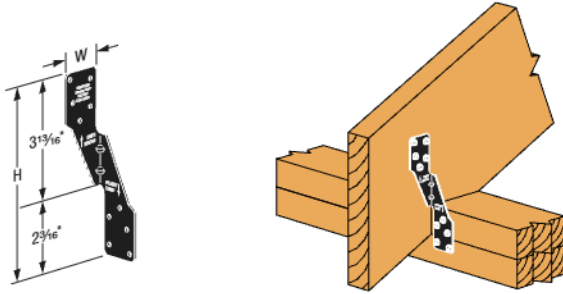
Hurricane Tie

Model No.	Ga.	Dimensions (in.)		Fastener Qty.	
		W	H	Rafters	Plates
H1APC	18	5 9/32	5 9/32	4	4

1. Installs with Outdoor Accents #9 x 1 1/2" connector screws (SD9112DBB) or Outdoor Accents #9 x 1 1/2" wafer-head connector screws (SD9112WDBB).
2. Fasteners sold separately.

For allowable load tables, visit strongtie.com

Outdoor Accents® Essentials

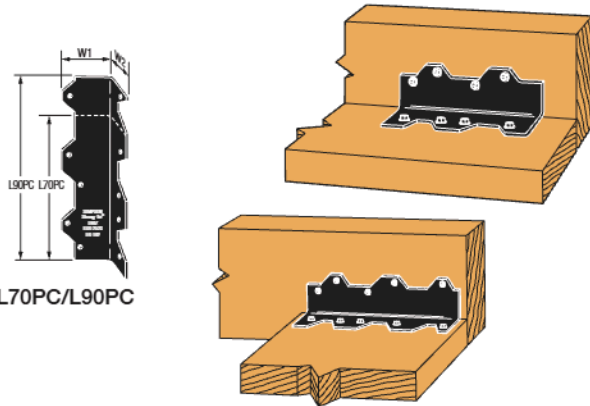


H2.5APC

Hurricane Tie

Model No.	Ga.	Dimensions (in.)		Fastener Qty.	
		W	H	Rafters	Plates
H2.5APC	18	1 3/8	6	5	5

1. Installs with Outdoor Accents #9 x 1 1/2" connector screws (SD9112DBB) or Outdoor Accents #9 x 1 1/2" wafer-head connector screws (SD9112WDBB).
2. Fasteners sold separately.

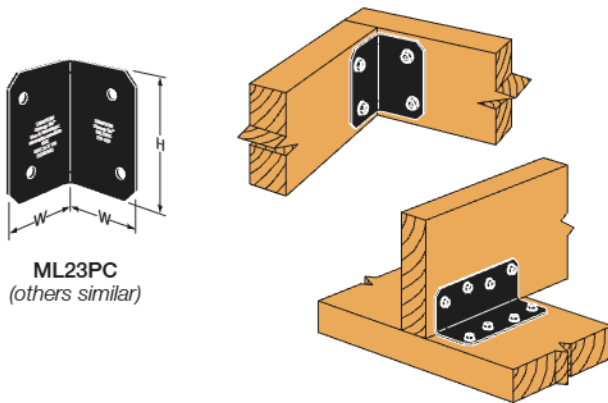


L70PC/L90PC

L-Shaped Reinforcing Angles

Model No.	Ga.	Dimensions (in.)			Fastener Qty.
		W1	W2	L	
L70PC	16	2 3/8	1 3/8	7	8
L90PC	16	2 3/8	1 3/8	9	10

1. Installs with Outdoor Accents #9 x 1 1/2" connector screws (SD9112DBB) or Outdoor Accents #9 x 1 1/2" wafer-head connector screws (SD9112WDBB).
2. Fasteners sold separately.

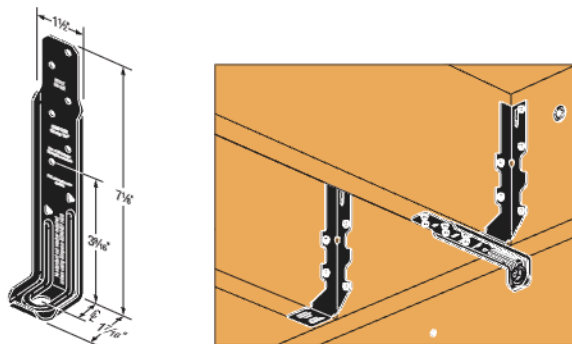


ML23PC
(others similar)

Medium Angle

Model No.	Ga.	Dimensions (in.)		Fastener Qty.
		W	H	
ML23PC	12	2	3	4
ML24PC	12	2	4	6
ML26PC	12	2	6	8

1. Installs with Outdoor Accents heavy-duty connector screws (SDS25112DBB).
2. Fasteners sold separately.



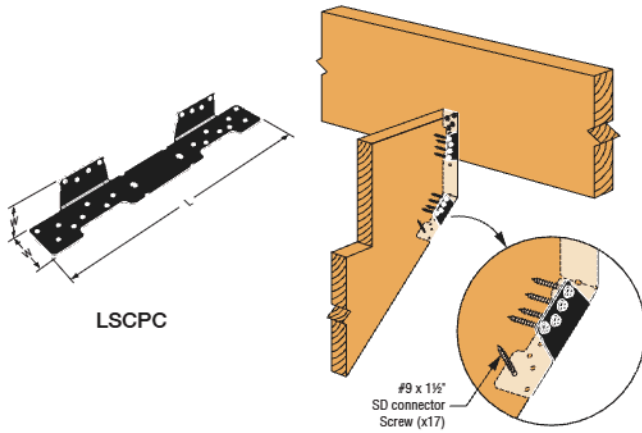
DTT1PC

Deck Tension Tie

Model No.	Ga.	Dimensions (in.)			Anchor Dia. (in.)	Fastener Qty.
		W	H	B		
DTT1PC	14	1 1/2	7 1/8	1 7/8	3/8 or SDWH	6

1. Installs with Outdoor Accents #9 x 1 1/2" connector screws (SD9112DBB) or Outdoor Accents #9 x 1 1/2" wafer-head connector screws.
2. SDWH™ screws are Strong-Drive® SDWH Timber-Hex HDG Screw (SDWH27800G).
3. Fasteners sold separately.

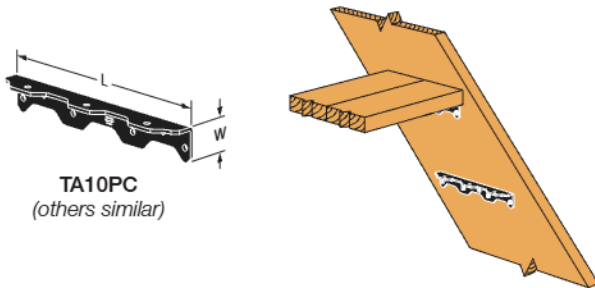
For allowable load tables, visit strongtie.com



Adjustable Stringer Connector

Model No.	Ga.	Dimensions (in.)		Fastener Qty.		
		W	L	Rim Board	Stringer Wide Face	Stringer Narrow Face
LSCPC	18	1 1/2	11 1/6	8	8	1

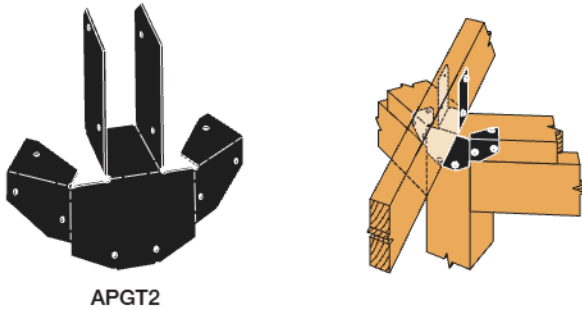
1. Installs with Outdoor Accents #9 x 1 1/2" connector screws (SD9112DDBB) or Outdoor Accents #9 x 1 1/2" wafer-head connector screws (SD9112WDBB).
2. Fasteners sold separately.



Staircase Angles

Model No.	Ga.	Dimensions (in.)		Fastener Qty.
		L	W	
TA9PC	12	8 1/4	1 1/2	5
TA10PC	12	10 1/4	1 1/2	7

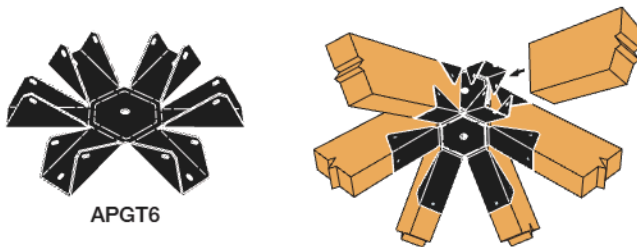
1. Installs with Outdoor Accents 1/4" x 1 1/2" heavy-duty connector screws (SDS25112DDBB).
2. Fasteners sold separately.



APGT2 Gazebo Ties

Model No.	Ga.	Fastener Qty.	
		Rafter	Top Plate and Post
APGT2	16	4	8

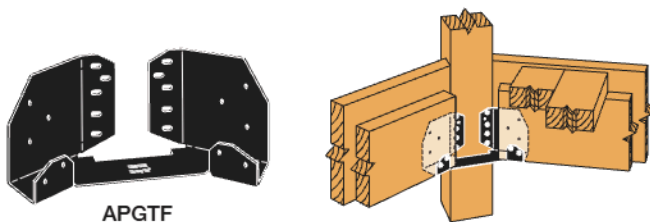
1. Installs with Outdoor Accents #9 x 1 1/2" connector screws (SD9112DDBB), Outdoor Accents #9 x 1 1/2" wafer-head connector screws (SD9112WDBB) or Outdoor Accents #10 x 1 1/2" connector screws (SD10112DDBB).
2. Fasteners sold separately.



APGT6 Gazebo Tie

Model No.	Ga.	Fastener Qty.
		Rafter
APGT6	18	18

1. Installs with Outdoor Accents #9 x 1 1/2" connector screws (SD9112DDBB), Outdoor Accents #9 x 1 1/2" wafer-head connector screws (SD9112WDBB) or Outdoor Accents #10 x 1 1/2" connector screws (SD10112DDBB).
2. Fasteners sold separately.



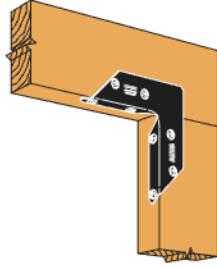
APGTF Gazebo Tie

Model No.	Ga.	Fastener Qty.	
		Rim Joist	Post
APGTF	16	10	10

1. Installs with Outdoor Accents #10 x 1 1/2" connector screws (SD10112DDBB).
2. Fasteners sold separately.

For allowable load tables, visit strongtie.com

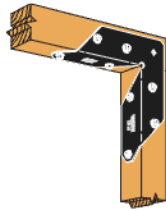
Outdoor Accents® Essentials



APRTA12 Rigid Tie® Connector

Model No.	Ga.	Post Size	Joist Size	Fastener Qty.	
				Post	Joist
APRTA12	18	1x	1x	4	4

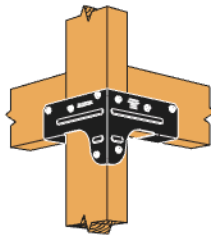
1. Installs with #8 x 3/4" screws.
2. Fasteners sold separately.



APRTA2 Rigid Tie Connector

Model No.	Ga.	Post Size	Joist Size	Fastener Qty.	
				Post	Joist
APRTA2	16	2x	2x	4	4

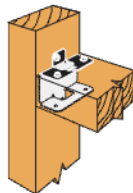
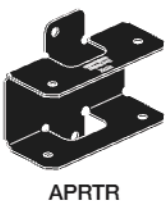
1. Installs with Outdoor Accents #9 x 1 1/2" connector screws (SD9112DBB), Outdoor Accents #9 x 1 1/2" wafer-head connector screws (SD9112WDBB) or Outdoor Accents #10 x 1 1/2" connector screws (SD10112DBB).
2. Fasteners sold separately.



APRTC2 Rigid Tie Connector

Model No.	Ga.	Post Size	Joist Size	Fastener Qty.	
				Post	Joist
APRTC2	18	2x4	2x	6	6

1. Installs with Outdoor Accents #9 x 1 1/2" connector screws (SD9112DBB), Outdoor Accents #9 x 1 1/2" wafer-head connector screws (SD9112WDBB) or Outdoor Accents #10 x 1 1/2" connector screws (SD10112DBB).
2. Fasteners sold separately.



APRTR Rigid Tie Connector

Model No.	Ga.	Post Size	Joist Size	Fastener Qty.	
				Post	Joist
APRTR	20	2x	2x	2	4

1. Installs with Outdoor Accents #10 x 1 1/2" connector screws (SD10112DBB).
2. Fasteners sold separately.

For allowable load tables, visit strongtie.com



SD9112DBB



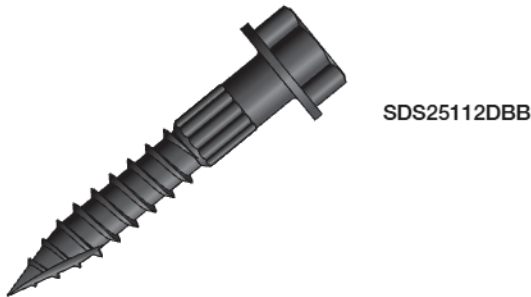
SD9212DBB



SD10112DBB



SD9112WDBB



SDS25112DBB



SDWS22312DBB
(others similar)



STN22

Outdoor Accents Connector Screw

Model No.	Size	Thread Length (in.)
SD9112DBB	#9 x 1 1/2"	1
SD9212DBB	#9 x 2 1/2"	
SD10112DBB	#10 x 1 1/2"	

Size is OD x Length. OD represents thread outer diameter.

Outdoor Accents Wafer-Head Connector Screw

Model No.	Size	Thread Length (in.)
SD9112WDBB	#9 x 1 1/2"	1

Size is OD x Length. OD represents thread outer diameter.

Outdoor Accents Heavy-Duty Connector Screw

Model No.	Size (in.)	Thread Length (in.)
SDS25112DBB	1/4 x 1 1/2	1

Size is OD x Length. OD represents thread outer diameter.

Outdoor Accents Structural Wood Screw

Model No.	Size (in.)	Thread Length (in.)
SDWS25200DBB	0.250 x 2	1 1/4
SDWS22312DBB	0.220 x 3 1/2	2
SDWS22512DBB	0.220 x 5 1/2	3

Size is Shank Dia. x Length.

Outdoor Accents Hex-Head Washer

Model No.	Size (in.)
STN22	1.469

Size is OD. OD represents washer outer diameter.

For allowable load tables, visit strongtie.com

Outdoor Accents[®]

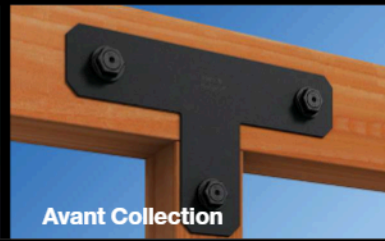


Sage System 6x6 Pergola

Hardware that works hard and looks good.



Mission Collection



Avant Collection



Sage System



Essentials

Backyard projects are easy with Outdoor Accents[®] decorative hardware from Simpson Strong-Tie. Combining proven strength and stylish design, they're ideal for pergolas, pavilions, decks, fences and other outdoor structures. Our rigorously tested hardware is made from ZMAX[®]-galvanized steel with a black powder-coat finish for lasting performance. The Mission Collection[®] adds classic Southwestern charm with arched profiles, while the Avant Collection[™] provides clean lines and chamfered corners for a modern look. The Sage System[™] features modular connectors that make pergola projects simple and fast. Outdoor Accents Essentials include joist hangers, stair stringers, angles, post bases, hurricane ties and more. Add the finishing touch with Outdoor Accents Accessories, designed to match each collection and delight your customers.

Explore decorative hardware at go.strongtie.com/outdooraccents or call (800) 999-5099.

This flier is effective until June 30, 2028, and reflects information available as of April 1, 2026. This information is updated periodically and should not be relied upon after June 30, 2028. Contact Simpson Strong-Tie for current information and limited warranty or see strongtie.com.

