

# PGT®

## Pipe Grip Ties®

Our popular PGT pipe grip tie series now includes more models to meet a variety of conditions for attaching wood fence rails to metal fence posts and eliminating rotted and failed wood posts. PGT is suitable for standard applications as well as corners and splices.

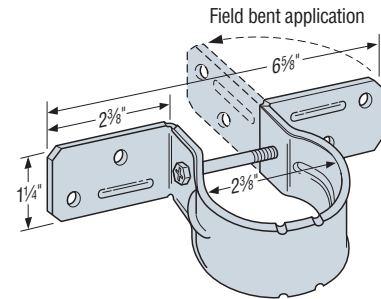
- PGTIC2Z-R is an interior corner pipe grip tie.
- PGT1.5Z-R is for 1½" pipe (1⅞" outside diameter).  
PGT2-R and PGT2Z-R are for 2" pipe (2⅜" outside diameter).
- PGT2A is for 2" pipe (2⅜" outside diameter).
- PGT2E is for 2" pipes and features a two-piece design that provides a solid connection between fence stringer and post.

**Material:** PGT2A — 14 gauge; all others — 12 gauge

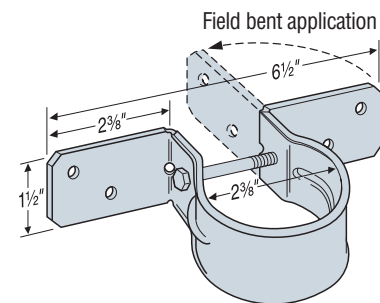
**Finish:** PGTA, PGT2-R, PGT2E — galvanized;  
PGTIC2Z, PGT1.5Z, PGT2Z-R — ZMAX®

### Installation:

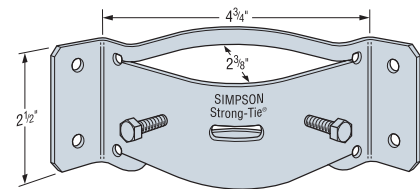
- Use all specified fasteners; see General Notes.
- PGTIC2Z-R to Post — Install two set screws (supplied) with ⅜" socket in predrilled holes.
- PGTIC2Z-R to Rails — Use ¼" x 1½" Strong-Drive® SDS Heavy-Duty Connector screws (not supplied). **PGTIC set screws are included.**
- Install on vertical pipes, offsetting corners to allow for the correct rail alignment.
- Use three to four PGTs per pipe; line up to stringline.
- Fasten PGT with ¼" hex-head bolt (supplied).
- PGT attaches to rails with four ¼" x 1½" Strong-Drive SDS Heavy-Duty Connector screws (not supplied). See p. 347 for Strong-Drive SDS Heavy-Duty Connector screw information. ¼" lag screws may be used. Follow the code requirements for predrilling.
- Field bend PGT flanges to fit corner and angled conditions (bend one time only).
- Nail or screw fence boards to rails.
- PGT2E-R50: Sold as full carton with (50) attachment plates, (50) front straps and (55) ¼" diameter x ¾" long hex-head bolts.
- PGTSCREW-R10 is a pack of (10) ¼" x 2½" replacement hex-head screw bolts for the PGT2A, PGT2-R, PGT2Z-R and PGT1.5Z-R.



PGT2A



PGT2Z-R  
(PGT1.5Z-R similar)

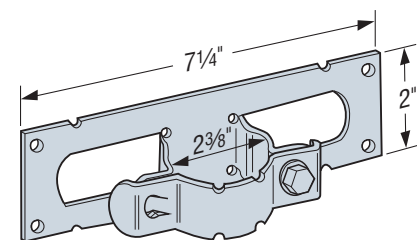


PGTIC2Z-R

These products are available with additional corrosion protection. For more information, see p. 14.

Model No.	Pipe Diameter	Ga.	Width (in.)	Height (in.)	Fasteners	
					Wood Rail SDS ¼" x 1½" (not supplied)	Metal Post
PGT1.5Z	1⅞" OD	12	6½	1½	4	(1) bolt supplied
PGT2A	2" OD	14	6⅝	1¼	4	(1) bolt supplied
PGT2E		12	7¼	2	4	(1) bolt supplied
PGTIC2Z		12	4¾	2½	4	(2) set screws supplied
PGT2-R	2" OD	12	6½	1½	4	(1) bolt supplied
PGT2Z-R		12	6½	1½	4	(1) bolt supplied

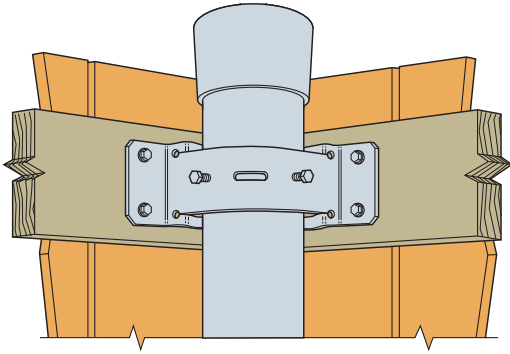
1. **Fasteners:** SDS screws are Simpson Strong-Tie® Strong-Drive SDS Heavy-Duty Connector screws. See pp. 21–22 for fastener information.



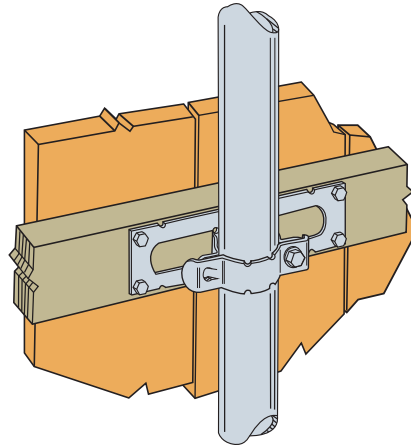
PGT2E  
US Patent 8,220,781

# PGT®

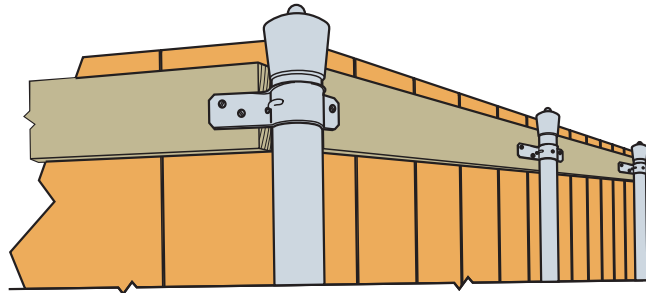
## Pipe Grip Ties®



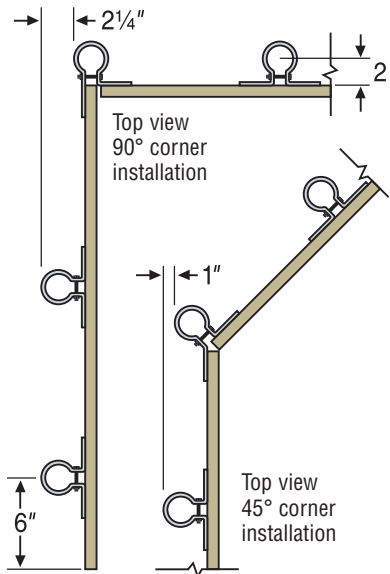
Typical PGIC2Z-R  
Fence Installation



Typical PGT2E Installation



Typical PGT2Z-R Fence Installation



Corner Installation  
Top View