

SBV/CF-R

Shelf Brackets / Concrete Form Angles

Use the SBV for shelving, counter brackets window ledge supports, at a very competitive price.

The CF-R is used where a moderate-size shelf bracket and reinforcing angle is needed. When used for tilt-up perimeter forming, the nail hole placement ensures substantial reuse.

Material: 16 gauge

Finish: Galvanized

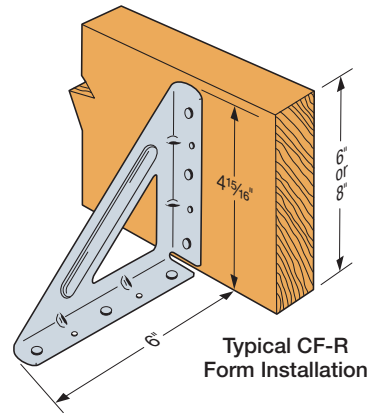
Installation: • Use all specified fasteners. See General Notes.

- SBV — Reversible for nominal 10" or 12" shelves of any thickness.
- CF-R (Retail Pack) — Recommended spacing is 36" **on center** for 2x's and 18" **on center** for 1x's. Use the 5" leg for 6" lumber and the 6" leg for 8" lumber. Holes are sized for **1/4" Strong-Drive® SDS Heavy-Duty Connector screws**, 0.148"-diameter nails or #9 Strong-Drive SD Connector screws.

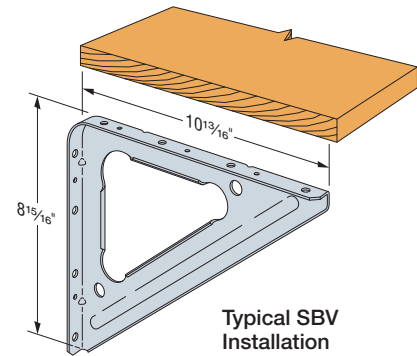
Codes: See p. 11 for Code Reference Key Chart

Model No.	Fasteners	DF/SP Allowable Downloads (100)	Code Ref.
	Stud		
CF-R	(3) 1/4" x 2" SDS	135	—
SBV	(4) 1/4" x 2" SDS	130	

1. **Fasteners:** SDS screws are Simpson Strong-Tie® Strong-Drive SDS Heavy-Duty Connector screws. See pp. 21–22 for fastener information.



Typical CF-R
Form Installation



Typical SBV
Installation

DS

Drywall Stop

Eliminates costly blocking at top plate, end walls, and corners. A typical residence will use several hundred of these inexpensive clips with a substantial savings in blocking and labor.

The installation prongs provide even more labor savings.

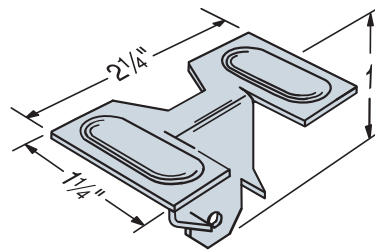
Material: 20 gauge

Finish: Galvanized

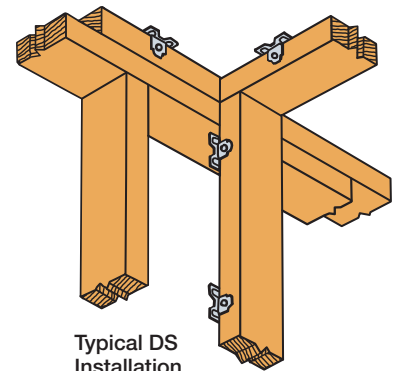
Installation:

- 16" on center or less, using 0.131" x 2 1/2" nails
- DS should not be used where gypsum board is used for structural loads

Code Ref.: IBC, FL, LA



DS



Typical DS
Installation