

AC/ACHZ™/LPCZ™/LCE™/RTC

Post Caps

These adjustable, two-sided post caps provide design flexibility and easy connection in new construction or retrofit applications where a connection is needed between a beam and post.

- AC4 and AC6 provide convenient mid-beam connections with light or medium fastener choices
- ACHZ caps provide high capacity with the flexibility to be used mid beam or end beam when flanges are field bent
- LCE4 gives maximum versatility allowing for various member sizes and end-of-beam installations
- LPCZ caps can straddle wider posts, eliminating the need for shimming
- RTC connects two horizontal members at a corner to a vertical wood member

Material: LCE4 — 20 gauge; AC, LPC4Z — 18 gauge; ACHZ, LPC6Z — 16 gauge; RTC — 14 gauge

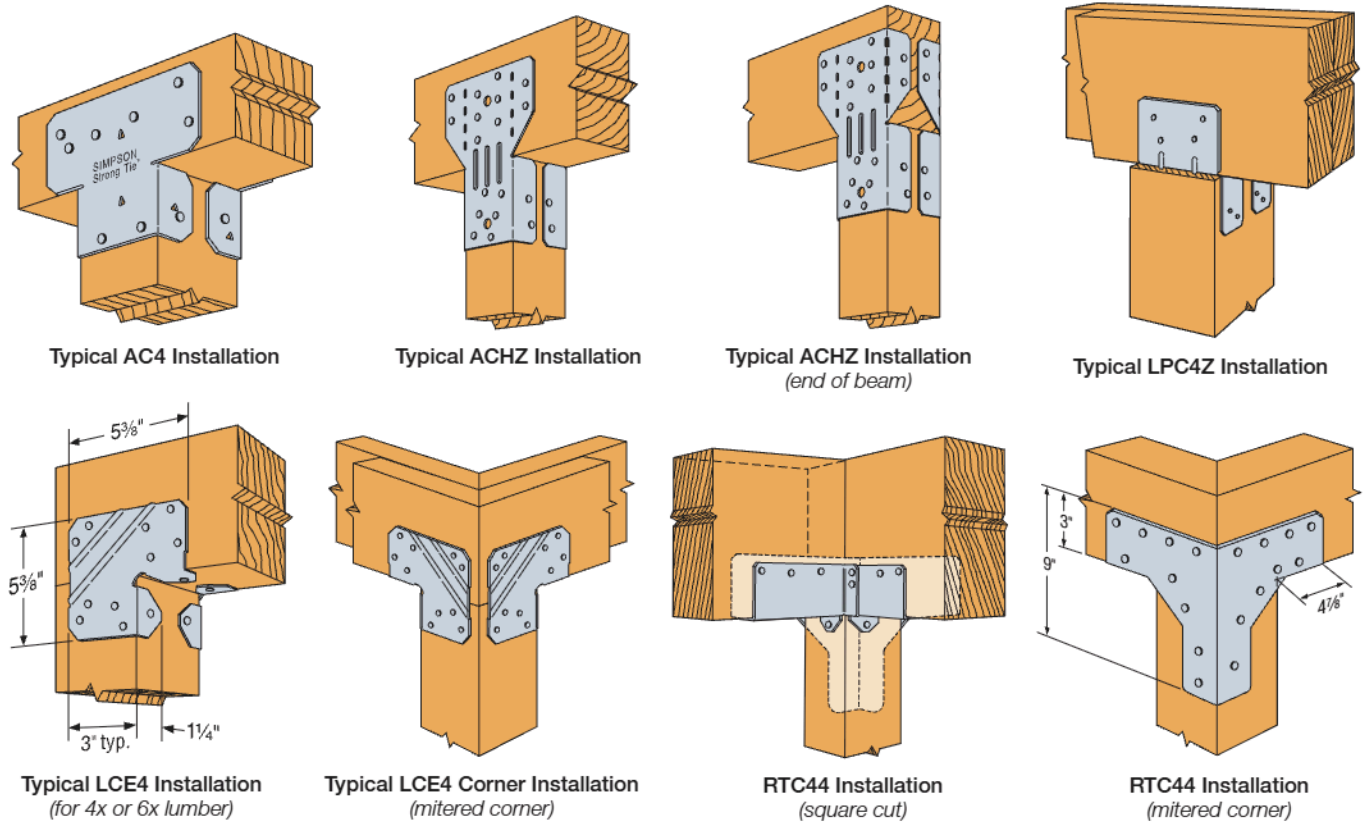
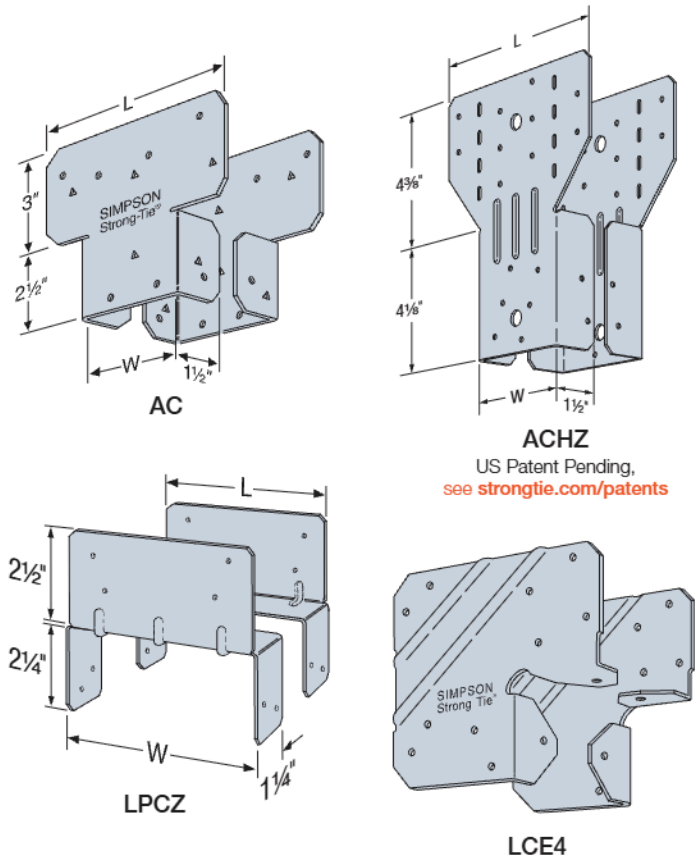
Finish: Galvanized. Some products available in ZMAX® coating and stainless steel; AC4 and LPC4 available (in Spring 2026) in black powder coat (AC4PC, LPC4PC).

Installation:

- Use all specified fasteners; see General Notes
- Install all models in pairs, except RTC.
LPCZ — 2½" beams may be used if 0.148" x 1½" nails are substituted for 0.148" x 3" nails
ACHZ — Field-adjustable flanges for end-of-beam installations (bend one time only)

Codes: See p. 12 for Code Reference Key Chart

Web Applications: Visit app.strongtie.com/pbs to access our Post-to-Beam Selector web application.



AC/ACHZ™/LPCZ™/LCE™/RTC

Post Caps (cont.)

These products are available with additional corrosion protection. For more information, see pp. 13–19.

SS For stainless-steel fasteners, see p. 25.

SD Many of these products are approved for installation with Strong-Drive® SD Connector screws. See pp. 380–382 for more information.

Model No.	Dimensions (in.)		Min. / Max.	Total No. Fasteners (in.)		DF/SP Allowable Loads (160)		Code Ref.
	W	L		Beam	Post	Uplift	Lateral	
SS AC4	3 ³ / ₁₆	6 ¹ / ₂	Min.	(8) 0.162 x 3 ¹ / ₂	(8) 0.162 x 3 ¹ / ₂	1,745	1,610	IBC, FL, LA
	3 ³ / ₁₆	6 ¹ / ₂	Max.	(14) 0.162 x 3 ¹ / ₂	(14) 0.162 x 3 ¹ / ₂	2,490	1,610	
AC4RZ	4	7	Min.	(8) 0.162 x 3 ¹ / ₂	(8) 0.162 x 3 ¹ / ₂	1,745	1,610	
	4	7	Max.	(14) 0.162 x 3 ¹ / ₂	(14) 0.162 x 3 ¹ / ₂	2,490	2,075	
ACH4Z	3 ³ / ₁₆	6 ¹ / ₂	—	(20) 0.162 x 2 ¹ / ₂	(20) 0.162 x 2 ¹ / ₂	4,045	1,765	
	3 ³ / ₁₆	6 ¹ / ₂	—	(20) SD10212	(20) SD10212	5,895	2,595	
ACH4Z (end)	3 ³ / ₁₆	6 ¹ / ₂	—	(20) 0.162 x 2 ¹ / ₂	(20) 0.162 x 2 ¹ / ₂	2,580	1,360	
	3 ³ / ₁₆	6 ¹ / ₂	—	(20) SD10212	(20) SD10212	2,680	1,815	
SS LCE4	—	5 ³ / ₈	—	(14) 0.162 x 3 ¹ / ₂	(10) 0.162 x 3 ¹ / ₂	1,950	1,350	
SS AC6	5 ¹ / ₂	8 ¹ / ₂	Min.	(8) 0.162 x 3 ¹ / ₂	(8) 0.162 x 3 ¹ / ₂	1,665	1,565	
	5 ¹ / ₂	8 ¹ / ₂	Max.	(14) 0.162 x 3 ¹ / ₂	(14) 0.162 x 3 ¹ / ₂	2,815	2,075	
AC6RZ	6	9	Min.	(8) 0.162 x 3 ¹ / ₂	(8) 0.162 x 3 ¹ / ₂	1,665	1,565	
	6	9	Max.	(14) 0.162 x 3 ¹ / ₂	(14) 0.162 x 3 ¹ / ₂	3,055	2,450	
ACH6Z	5 ¹ / ₂	8 ¹ / ₂	—	(20) 0.162 x 2 ¹ / ₂	(20) 0.162 x 2 ¹ / ₂	4,045	2,640	
	5 ¹ / ₂	8 ¹ / ₂	—	(20) SD10212	(20) SD10212	5,895	4,130	
ACH6Z (end)	5 ¹ / ₂	8 ¹ / ₂	—	(20) 0.162 x 2 ¹ / ₂	(20) 0.162 x 2 ¹ / ₂	2,580	1,965	
	5 ¹ / ₂	8 ¹ / ₂	—	(20) SD10212	(20) SD10212	2,680	2,200	
LPC4Z	3 ³ / ₁₆	3 ¹ / ₂	—	(8) 0.148 x 3	(8) 0.148 x 3	755	760	
LPC6Z	5 ³ / ₁₆	5 ¹ / ₂	—	(8) 0.148 x 3	(8) 0.148 x 3	920	885	

1. Allowable loads have been increased for wind or earthquake loading with no further increase allowed. Reduce where other loads govern.
2. Connector table loads and fastener quantities are listed for two parts. For single-sided installation, multiply table loads by 0.4. See engineering letter L-C-ONEPOSTCAP at strongtie.com for additional information.
3. Lateral load is in the direction parallel to the beam.
4. For minimum nailing quantity and load values, fill all round holes; for maximum nailing quantity and load values, fill all round and triangular holes.
5. Uplift loads do not apply to spliced conditions. Spliced conditions must be detailed by the Designer to transfer tension loads between spliced members by means other than the post cap.
6. Structural composite lumber columns have sides that show either the wide face or the edges of the lumber strands/veneers known as the narrow face. Values in the tables reflect installation into the wide face. See technical bulletin T-C-SCLCLM at strongtie.com for load reductions resulting from narrow-face installations.
7. **Fasteners:** Nail dimensions in the table are listed diameter by length. SD screws are Simpson Strong-Tie Strong-Drive SD Connector screws. See pp. 25–26 for fastener information.

Model No.	Dimensions (in.)		Total No. of Fasteners (in.)		DF/SP Uplift Loads (160)			SPF Uplift Loads (160)		
	W	L	Beam	Post	Side Beam	Main Beam	Post	Side Beam	Main Beam	Post
SS RTC44 ¹ (Mitered corner)	3 ³ / ₁₆	4 ³ / ₄	(19) 0.162 x 3 ¹ / ₂	(10) 0.162 x 3 ¹ / ₂	900	900	1,800	775	775	1,550
RTC44 ² (Square cut)	3 ³ / ₁₆	4 ³ / ₄	(19) 0.162 x 3 ¹ / ₂	(10) 0.162 x 3 ¹ / ₂	925	1,230	1,760	795	1,060	1,515
SS LCE4 ¹ (Mitered corner)	5 ³ / ₈	5 ³ / ₈	(14) 0.162 x 3 ¹ / ₂	(10) 0.162 x 3 ¹ / ₂	445	445	885	380	380	760

1. The allowable download for the mitered RTC44 and LCE4 connection is limited to the bearing of the mitered beams on the post and shall be determined by the designer.
2. The allowable download for the main beam in the square-cut RTC44 connection is limited to the bearing of the beam on the post and shall be determined by the designer. The side beam allowable download is 1,170 lb.
3. The combined uplift loads applied to all the beams must not exceed the post allowable uplift load listed in the table.
4. LCE4 connectors must be installed in pairs to achieve listed loads.
5. **Fasteners:** Nail dimensions are listed diameter by length. See pp. 25–26 for fastener information.