

ML

Angle

The ML angle combines strength and versatility through the use of Strong-Drive® SDS Heavy-Duty Connector screws. Fastener holes are staggered to minimize wood splitting and opposing hole pattern allows for back-to-back installation without fastener interference.

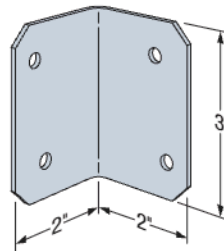
Material: 12 gauge

Finish: MLZ — ZMAX® coating; MLSS — stainless steel;
ML23PC/ML24PC/ML26PC — black powder coat
(available in Spring 2026)

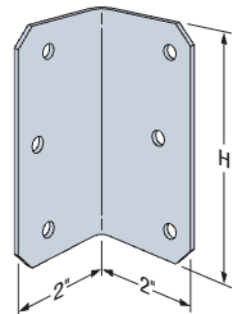
Installation:

- Use all specified fasteners; see General Notes
- ¼" x 1½" Strong-Drive SDS Heavy-Duty Connector screws are not provided with the angle
- Use stainless-steel fasteners with stainless connectors

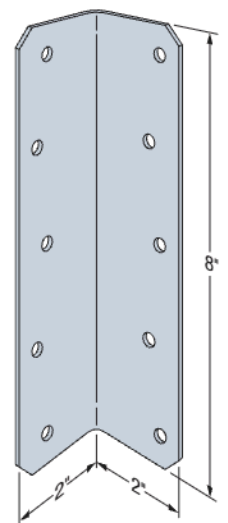
Codes: See p. 12 for Code Reference Key Chart



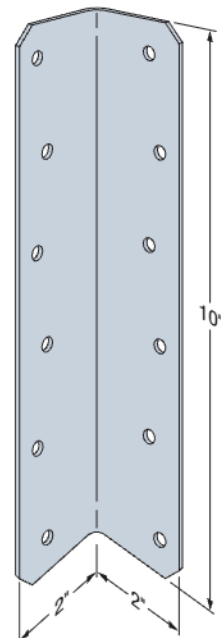
ML23Z



ML24Z
(ML26Z similar)



ML28Z



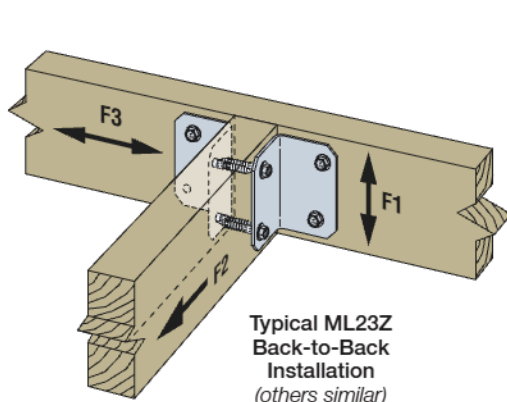
ML210Z

These products are available with additional corrosion protection. For more information, see pp. 13–19.

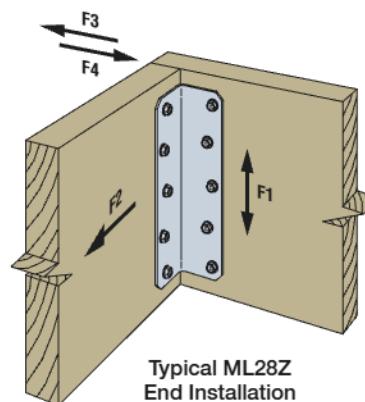
SS For stainless-steel fasteners, see p. 25.

Model No.	H (in.)	Connector Quantity	SDS Fasteners (Total)	DF/SP Allowable Loads				SPF/HF Allowable Loads				Code Ref.
				(100)	(115)	(125)	(160)	(100)	(115)	(125)	(160)	
SS ML23Z	3	1	(4) ¼" x 1½"	405	405	405	405	310	310	310	310	IBC, FL, LA
		2	(8) ¼" x 1½"	865	865	865	865	660	660	660	660	
SS ML24Z	4	1	(6) ¼" x 1½"	595	595	595	595	450	450	450	450	
		2	(12) ¼" x 1½"	1,500	1,635	1,635	1,635	1,080	1,240	1,240	1,240	
SS ML26Z	6	1	(8) ¼" x 1½"	1,000	1,075	1,075	1,075	720	830	900	935	
		2	(16) ¼" x 1½"	2,000	2,145	2,145	2,145	1,440	1,625	1,625	1,625	
SS ML28Z	8	1	(10) ¼" x 1½"	1,250	1,280	1,280	1,280	900	970	970	970	
		2	(20) ¼" x 1½"	2,500	2,665	2,665	2,665	1,800	2,020	2,020	2,020	
SS ML210Z	10	1	(12) ¼" x 1½"	1,285	1,285	1,285	1,285	970	970	970	970	
		2	(24) ¼" x 1½"	2,930	2,930	2,930	2,930	2,160	2,220	2,220	2,220	

1. Stainless steel versions achieve the same load as ZMAX versions listed in the table.
2. For lateral loads, see engineering letter L-C-MLZ at strongtie.com.
3. **Fasteners:** SDS screws are Simpson Strong-Tie Strong-Drive SDS Heavy-Duty Connector screws. See pp. 25–26 for fastener information.



Typical ML23Z Back-to-Back Installation (others similar)



Typical ML28Z End Installation (others similar)