

Outdoor Accents® — Sage System™

Decorative Hardware



Designed with do-it-yourself homeowners in mind, the Outdoor Accents Sage System pergola connectors bring together strength, beauty and simplicity, making it easier than ever to create stunning outdoor structures. The system's rigorously tested connectors are built to last. Heavy-duty ZMAX®-galvanized steel with a black powder coat delivers superior corrosion resistance to weather the elements and provides lasting durability.

The innovative, open-top design of the corner and middle-T connectors simplifies installation, adapts to various build methods (top down or ground up), handles lumber variances, and supports a range of stylish shade applications. The post base features outside flanges to offer the flexibility of attaching to the concrete before or after the pergola is finished.

Key Features:

- Installs quickly with premium color-matched screws (included) — no predrilling needed
- Stop tabs provide an end point for each post, keeping beams from hitting the posts
- Post bases secure to the concrete with black Titen Turbo™ concrete and masonry screw anchors (included)

Material: 12 gauge and 14 gauge

Finish: ZMAX coating with black powder coat



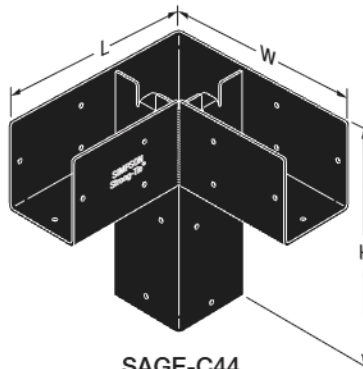
Corner Connector

The Sage-C corner connector features three-way 90° angles for making a strong connection of two beams to the post with consistent, straight corners.

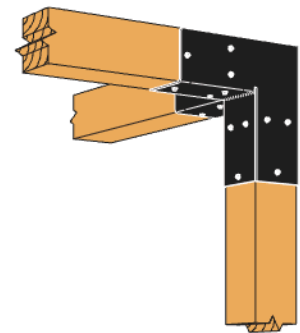


Model No.	Ga.	Nominal Lumber Size	Fasteners		DF/SP Allowable Loads					SPF/HF Allowable Loads				Code Ref.	
					Uplift (160)		Download (100)		Lateral (160)	Uplift (160)		Download (100)			Lateral (160)
					Beams	Post	Beams	Post		Beam	Post	Beam	Post		
SAGE-C44	12	4x4	(12) SD #10 x 1 1/2"	(18) SD #10 x 1 1/2"	895	2,350	2,180	2,680	1,530	700	2,035	1,705	2,250	1,315	—
SAGE-C66		6x6	(12) SD #10 x 1 1/2"	(18) SD #10 x 1 1/2"	1,125	2,605	2,535	3,095	1,935	1,045	2,605	1,835	2,445	1,595	

1. Allowable loads have been increased for wind or earthquake loading with no further increase allowed. Reduce where other loads govern.
2. Lateral load values are forces parallel to beam (axial force on beams). Knee-braces or attachment to a secondary structure may be required.
3. The combined uplift or download applied to all the beams must not exceed the post allowable uplift or download, respectively.
4. Fastener quantity listed is total for all beam and column legs filled.
5. All fasteners are Outdoor Accents #10 x 1 1/2" connector screws (SD10112DDB).



SAGE-C44
(SAGE-C66 similar)



Typical SAGE-C44 Installation
(SAGE-C66 similar)

Outdoor Accents® – Sage System™

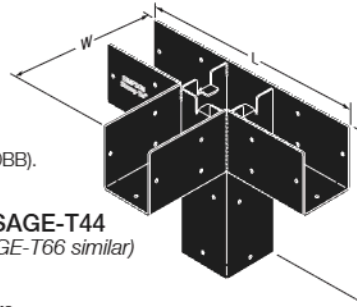
Middle-T Connector

The Sage-T middle-T connector features four-way 90° angles for making a strong connection of three beams to the post with consistent, straight corners at mid-sections.

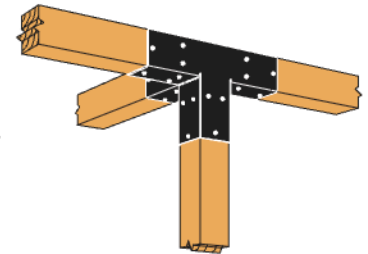


Model No.	Ga.	Nominal Lumber Size	Fasteners		DF/SP Allowable Loads					SPF/HF Allowable Loads			Code Ref.		
					Uplift (160)		Download (100)		Lateral (160)	Uplift (160)		Download (100)		Lateral (160)	
			Post	Beams	Beams	Post	Beams	Post		Beam	Post	Beam			Post
SAGE-T44	12	4x4	(12) SD #10 x 1 1/2"	(27) SD #10 x 1 1/2"	895	2,350	2,180	3,415	1,530	700	2,035	1,705	2,795	1,315	—
SAGE-T66		6x6	(12) SD #10 x 1 1/2"	(27) SD #10 x 1 1/2"	1,125	2,605	2,535	3,605	1,935	1,045	2,605	1,835	2,835	1,595	

1. Allowable loads have been increased for wind or earthquake loading with no further increase allowed. Reduce where other loads govern.
2. Lateral load values are forces parallel to beam (axial force on beams). Knee-braces or attachment to a secondary structure may be required.
3. The combined uplift or download applied to all the beams must not exceed the post allowable uplift or download, respectively.
4. Fastener quantity listed is total for all beam and column legs filled.
5. All fasteners are Outdoor Accents® #10 x 1 1/2" connector screws (SD10112DBB).



SAGE-T44
(SAGE-T66 similar)



Typical SAGE-T44 Installation
(SAGE-T66 similar)

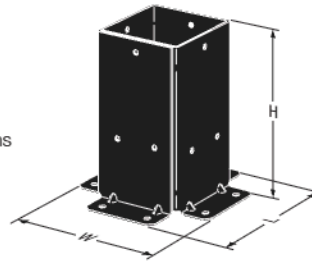
Post Base



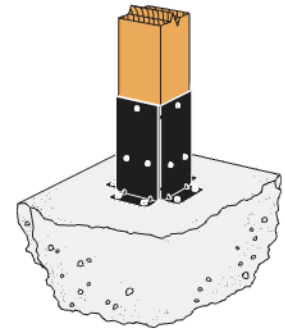
The Sage-B post base secures posts to existing concrete. Built-in standoff helps prevent post-end wood rot caused by moisture.

Model No.	Nominal Post Size	Material (ga.)	Fasteners		DF/SP Allowable Connector Loads			SPF/HF Allowable Connector Loads			Code Ref.
			Base	Post	Uplift	Download	Lateral	Uplift	Download	Lateral	
Connection to Concrete Base											
SAGE-B44	4x4	14	(8) 1/4" x 1 3/4" Titen Turbo™	(12) SD #10 x 1 1/2"	2,340	4,565	1,815	1,830	3,815	1,570	IBC, FL, LA
SAGE-B66	6x6	12	(8) 1/4" x 1 3/4" Titen Turbo	(12) SD #10 x 1 1/2"	2,340	5,365	2,065	1,830	4,945	1,750	
Connection to Wood Framing Base											
SAGE-B44	4x4	14	(8) SDS 1/4" x 3"	(12) SD #10 x 1 1/2"	2,215	4,295	1,815	1,830	3,095	1,460	IBC, FL, LA
SAGE-B66	6x6	12	(8) SDS 1/4" x 3"	(12) SD #10 x 1 1/2"	2,340	5,365	2,065	1,830	4,285	1,750	

1. Uplift loads have been increased for earthquake or wind loading with no further increase allowed. Reduce where other loads govern.
2. Downloads shall be reduced where limited by allowable loads of the post.
3. Specifier is to design concrete anchorage. Concrete breakout/pullout limits are provided for specific conditions on the "Anchorage-to-Concrete" load table on the Sage-B product page at strongtie.com.
4. Post bases do not provide adequate resistance to prevent members from rotating about the base and therefore are not recommended for non-top-supported installations (such as fences, unbraced carports or guard rails).
5. For connection to wood framing, uplift loads are based on penetration of the Strong-Drive® SDS Heavy-Duty Connector screw's entire threaded section into the main member. If thread penetration into the main member is less than the "Thread Length" as shown in the table for DF/SP in ICC-ES ESR-2236, reduce allowable load by 172 lb./in. of thread not in the main member.
6. **Fasteners:** Post fasteners are Outdoor Accents® #10 x 1 1/2" connector screws (SD10112DBB). SDS screws are Simpson Strong-Tie Strong-Drive screws. Titen Turbo screws are Simpson Strong-Tie concrete and masonry screws (hex-head model). For additional information, see Fastener Types and Sizes Specified for Simpson Strong-Tie Connectors.



SAGE-B44
(SAGE-B66 similar)



Typical SAGE-B44 Installation
(SAGE-B66 similar)

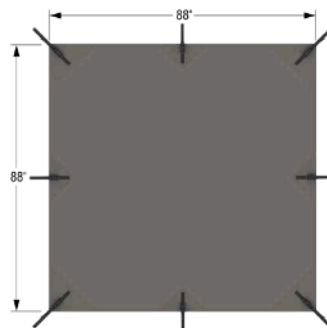
Sunshade



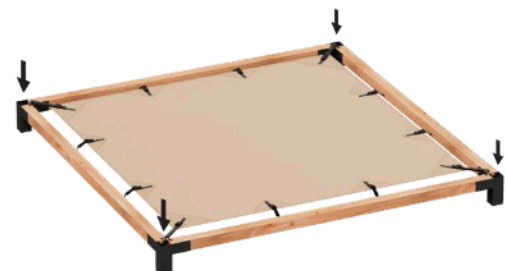
The durable, fade-resistant Sage-Shade™ sunshade can be easily added to any 8' x 8' or 10' x 10' pergola. It features heavy-duty straps and buckles for tight, flat installation and is available in tan or gray. See strongtie.com/sagesystem for installation information.

Key features:

- Heavy-duty HDPE (high-density polyethylene) knitted fabric provides durability and strength
- Quick and easy to install with included brackets and color-matched screws
- Offers UV protection
- Easy to remove for seasonal storage



8' x 8' Sage-Shade Sunshade
SAGE-SHADE8x8G
SAGE-SHADE8x8T
(10' x 10' sunshade similar)



Typical 10' x 10' Sage-Shade Sunshade Installation
SAGE-SHADE10x10G
SAGE-SHADE10x10T
(8' x 8' sunshade similar)