

HUTF/HUSTF

Heavy-Duty and Double-Shear Top-Flange Joist Hangers

See dimensions, material, loads on table pages.

HUSTF has the double-shear nailing advantage — distributing the joist load through two points on each nail for greater strength.

Finish: Galvanized.

Installation:

- Use all specified fasteners; see General Notes
- Not acceptable for nailer or welded applications; see WP, HWP, HWPH and BA hangers
- HUTF — The minimum header or ledger size that can be used with this hanger is 3½"
- HUSTF — With 3x carrying members, use 0.162" x 2½" nails into the header and 0.162" x 3½" nails into the joist

Options:

- See Hanger Options General Notes on p. 101.
- HUTF rough beam sizes are available by special order.
- HUSTF cannot be modified.

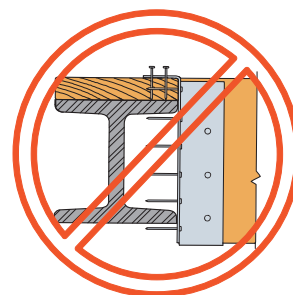
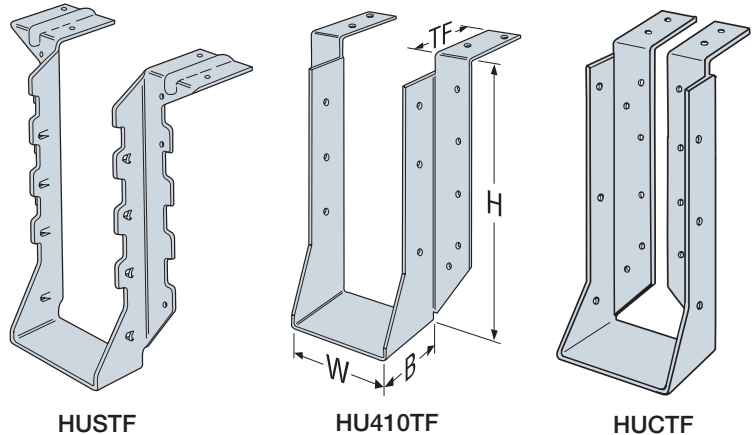
Sloped and/or Skewed Seat

- HUTF can be skewed to a maximum of 45° or sloped to a maximum of 45°. HUTF can be skewed and sloped down only, provided $W \geq 2\frac{3}{8}"$. No skew with slope up options available.
- For skews greater than 15°, uplift loads are 0.75 of the table loads. Hangers with a skew greater than 15° may have all the joist nailing on the outside angle.
- For sloped and skewed combinations, the allowable loads are 0.70 of the table loads.
- For sloped down only hangers, allowable load is 0.78 of the table load.

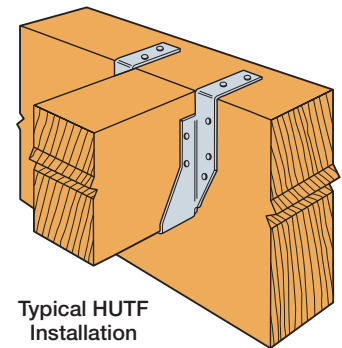
Concealed Flange

- HUTF is available with one A flange concealed at 0.85 of the catalog table load.
- HUTF is available with both flanges concealed provided the W dimension is 2¾" or greater, at 0.85 of the table load. Specify HUCTF for both flanges concealed. No skew options available.

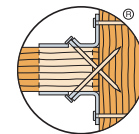
Web Applications: Visit app.strongtie.com/hs to access our Hanger Selector web application.



Nailer application is not acceptable. Fasteners cannot be installed.

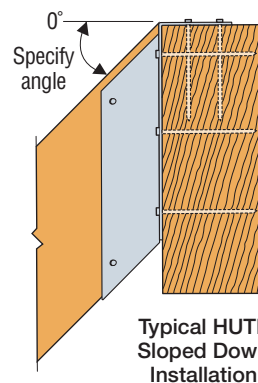


Typical HUTF Installation

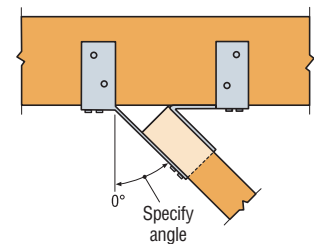


Double-Shear Nailing Top View

Some model configurations may differ from those shown. Production models have projected seats. Square-cut seats may be ordered. Contact Simpson Strong-Tie for details.



Typical HUTF Sloped Down Installation



Top View HUTF Hanger Skewed Right