

Outdoor Accents[®]
decorative hardware

SIMPSON
Strong-Tie[®]

New Products

More Choices in Strong and Beautiful



(800) 999-5099 | strongtie.com

Bring the Beauty of Outdoor Accents® Hardware to All Your Outdoor Projects — Big and Small

Our popular Outdoor Accents decorative hardware line continues to expand with exciting new products. These new additions give you more options for creating an even wider range of projects to complement your custom outdoor structures and enhance your outdoor living space.

Our latest additions to the line include a 2" structural wood screw, two new series of black powder-coated Rigid Tie® connectors and gazebo ties, a new option for connecting knee braces and a decorative bottle opener. All of these products complement both our Mission Collection® and Avant Collection™ connectors and, like our existing decorative hardware products, are stylish additions to any outdoor living space.

Key Features

- Rigid Tie connectors, gazebo ties and knee braces are made of ZMAX® galvanized steel with a black powder-coat finish for medium corrosion protection
- 2" screw features the Type-17 point for easy installation
- Decorative finish enhances the beauty of your outdoor living area

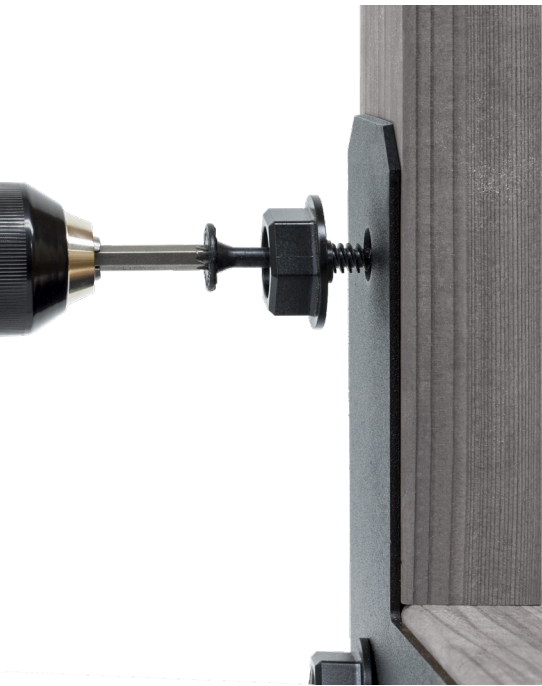
To see the complete line of Outdoor Accents products, visit strongtie.com/outdooraccents. This flier is a supplement to the main flier, F-C-OAMCAC, which can be downloaded from strongtie.com. Be sure to also check out the library of free project plans at strongtie.com/freeplans.



Outdoor Accents® Essentials

Fasten with Style

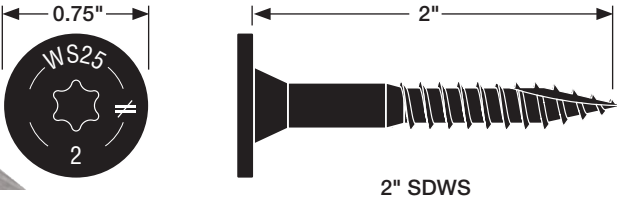
Complete a wide variety of projects faster and easier with the new 2" Outdoor Accents structural wood screw. A versatile, high-performance fastening solution, this new length is ideal for adding style to any DIY wood-to-wood project as well as 2x, 2x rough and 3x lumber connections using Outdoor Accents hardware. When used with the Outdoor Accents hex-head washer, the 2" structural wood screw combines the decorative appearance of a bolted connection with the installation ease of a screw. The screw and washer combination are tested and code listed (IAPMO UES ER-192). With this new addition, the Outdoor Accents structural wood screw is now available in three sizes: 2", 3½" and 5½".



Note: The 2" screw has lower load values than the 3½" and 5½" screws. It may not be substituted where the longer screws are required.

Key Features

- Black double-barrier coating provides medium level of corrosion protection for many outdoor applications
- Type-17 point ensures easy installation with no pre-drilling
- Low-profile head provides a clean, concealed appearance for finish applications
- 6-lobe recess for secure driving and longer bit life
- Large washer head provides load-bearing area
- Outdoor Accents structural wood screw and hex-head washer are code listed in IAPMO UES ER-192



Outdoor Accents Structural Wood Screw with Hex-Head Washer – Wood-to-Wood/Steel Side Plate

Model No.	Size (in.)	Thread Length (in.)	Allowable Shear Loads (lb.)					
			2x Wood Side Member			12-ga. Steel Side Member		
			DF/SP	SPF/HF	Western Cedar	DF/SP	SPF/HF	Western Cedar
SDWS25200DBB with STN22	0.25 x 2	1¼	—	—	—	215	170	—
SDWS22312DBB with STN22	0.22 x 3½	2	235	192	179	470	385	320
SDWS22512DBB with STN22	0.22 x 5½	2¾	465	430	395	640	495	425

See footnotes below.



Outdoor Accents Structural Wood Screw – Wood-to-Wood

Model No.	Size (in.)	Thread Length (in.)	Allowable Shear Loads (lb.)			Allowable Withdrawal Loads (lb./in.)		
			2x Wood Side Member			DF/SP	SPF/HF	Western Cedar
			DF/SP	SPF/HF	Western Cedar			
SDWS25200DBB	0.25 x 2	1¼	—	—	—	172	103	—
SDWS22312DBB	0.22 x 3½	2	255	190	225	164	151	142
SDWS22512DBB	0.22 x 5½	2¾	405	405	230	214	187	



1. Allowable loads are for connections between two members with full screw thread penetration into the main member.
2. Allowable loads are shown at a wood load duration factor of $C_D = 1.0$. Loads may be increased for load duration per the building code up to a $C_D = 1.6$. Tabulated values must be multiplied by all applicable NDS adjustment factors.
3. Minimum spacing, edge and end distance requirements are per IAPMO-UES ER-192.
4. Loads are based on installation into the side grain of the wood with the screw axis perpendicular to the face of the member.

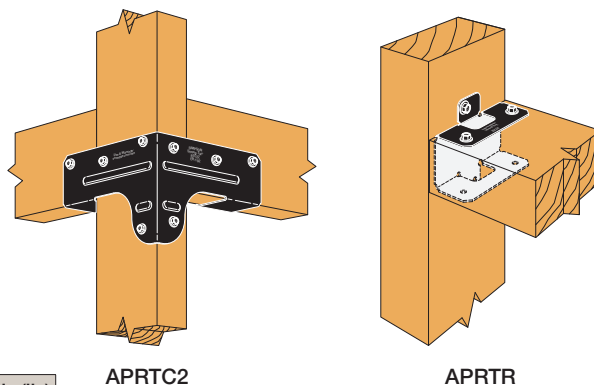
Outdoor Accents® Accessories



Add Design Flair to DIY Projects

Our popular series of Rigid Tie® connectors is now available in a black powder coat, making them ideal for a variety of projects — from outdoor garden potting benches to fences and furniture. Homeowners can build rustic outdoor furniture to enhance their outdoor structures or interior locations, like the house or garage. ZMAX® galvanized steel, with a black powder-coat finish, provides medium corrosion protection. The APRTC2 and APRTR use the Outdoor Accents #10 x 1½" connector screw.

- The APRTC2 Rigid Tie corner connector makes it easier to create strong and durable corner connections with 2x4 lumber — without using angle cuts or bolts. It's ideal for building projects, such as a rustic outdoor dining table, beverage bar, garden potting table, workbench table or storage unit.
- The APRTR Rigid Tie rail connector is designed for connecting horizontal 2x lumber to a vertical 2x. The versatile APRTR is ideal for a variety of projects including fences, railings and furniture.



Rigid Tie Connectors

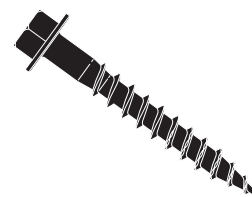
Model No.	Post Size	Joist Size	Fasteners (Total) (in.)		DF/SP Allowable Loads (lb.)	
			Post	Joist	Floor (100)	Roof (125)
APRTC2	2x4	2x	(6) SD #10 x 1 ½	(6) SD #10 x 1 ½	1,025	1,260
APRTR	2x	2x	(2) SD #10 x 1 ½	(4) SD #10 x 1 ½	—	—

1. SD screws are Simpson Strong-Tie® Outdoor Accents SD10112DBB connector screws.
 2. Fasteners sold separately.

Outdoor Accents Connector Screw

Model No.	Size (in.)	Thread Length (in.)	DF/SP Allowable Loads		SPF/HF Allowable Loads	
			Shear Steel Side Plate (lb.) 20 ga.—12 ga.	Withdrawal (lb./in.)	Shear Steel Side Plate (lb.) 20 ga.—12 ga.	Withdrawal (lb./in.)
SD10112DBB	#10 x 1 ½"	1	173	173	138	122

1. Allowable loads are shown at the wood load duration factor of $C_D = 1.00$. Loads may be increased for load duration per the building code up to a $C_D = 1.60$. Tabulated values must be multiplied by all applicable NDS adjustment factors.
 2. Withdrawal loads and steel-side-plate shear loads are based on testing per AC233.
 3. Withdrawal loads are based on penetration of the screw's entire thread length into the main member.
 4. Visit strongtie.com for wood-to-wood shear values and wood-side-plate details.



**Outdoor Accents
Connector Screw**



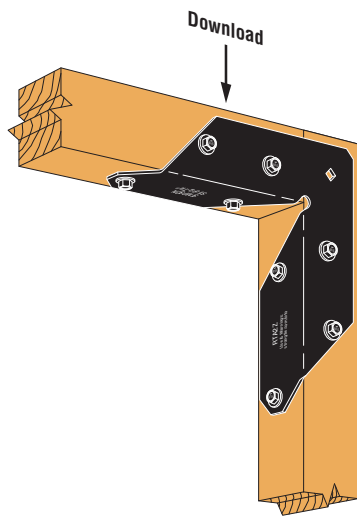
Connect Corners with Style and Ease

The APRTA2 and APRTA12 Rigid Tie® angles provide a strong 90° connection without 45° cuts or angled fastening, making them ideal for gates, fences or any project where a 90° connection is desired. This rigid tie angle fastens the wood on two sides, eliminating the need for angle bracing.

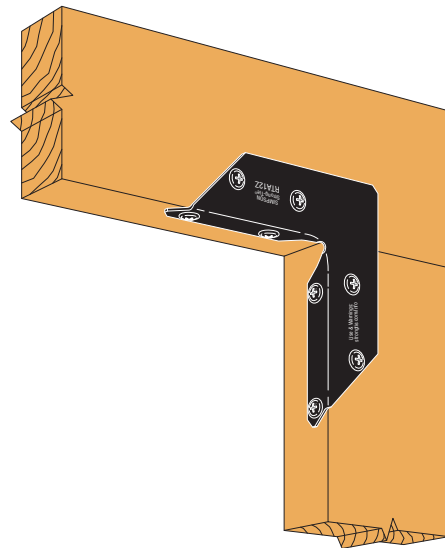
Rigid Tie Connectors

Model No.	Post Size	Joist Size	Fasteners (Total) (in.)		DF/SP Allowable Loads (lb.)	
			Post	Joist	Floor (100)	Roof (125)
APRTA12	1x	1x	(4) #8 x ¾"	(4) #8 x ¾"	—	—
APRTA2	2x	2x	(4) SD #10 x 1½"	(4) SD #10 x 1½"	150	150

1. SD screws are Simpson Strong-Tie® Outdoor Accents SD10112DBB connector screws.
2. Fasteners sold separately.



APRTA2



APRTA12

Outdoor Accents® Gazebo Ties



Elevate Your Backyard Experience

Ready to transform your backyard into something truly special? An elevated gazebo makes a stunning addition to any outdoor space — and we have what you need to build it with strength, style and ease. The APGT gazebo tie series adds strength and rigidity to six-sided gazebo connections and features ZMAX® galvanized steel with a black powder-coat finish for medium corrosion protection. The Outdoor Accents gazebo ties series includes three models:

- APGT2 connects a 2x rafter and top plate to a post in a six-sided gazebo as well as adds strength and rigidity to three-way connections
- APGT6 connects six 2x rafters at the top of a six-sided gazebo
- APGTF connects bottom 2x rim joists to a post in a six-sided gazebo and allows installation over the post base for adjusting the height of rim joists

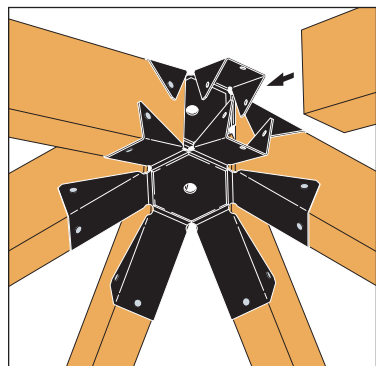


APGT6

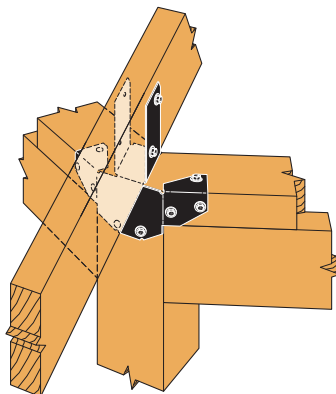
Gazebo Ties

Model No.	Fastener Qty.	
	Rafter or Rim Joist	Top Plate or Post
APGT2	8	4
APGT6	18	—
APGTF	10	10

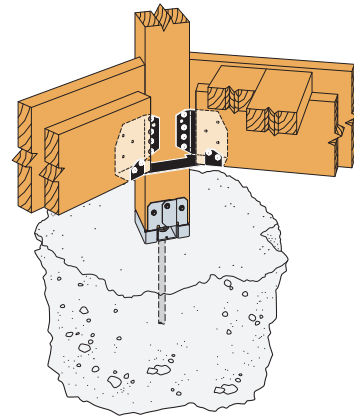
1. All fasteners are Outdoor Accents SD10112DBB connector screws.
2. Fasteners sold separately.



APGT6



APGT2



APGTF



Add Panache to Your Post-to-Beam Connections

The new Avant Collection knee brace connectors make installation of these bracing supports fast and easy. This new product is available in two sizes: APVKB45-4 and APVKB45-6 to accommodate 4x and 6x lumber. Both sizes install with the 3½" structural wood screw and STN22 hex-head washer, making it easy to add style to knee brace connections. The Outdoor Accents APVKB connectors help take the guesswork out of screw placement, making for an easier installation.

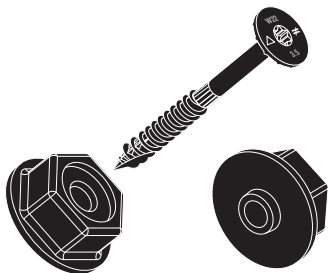
Key Features

- ZMAX® galvanized steel with a black powder-coat finish provides medium corrosion protection
- Easily attaches to post to install knee braces
- Adds decorative flair to knee brace connections

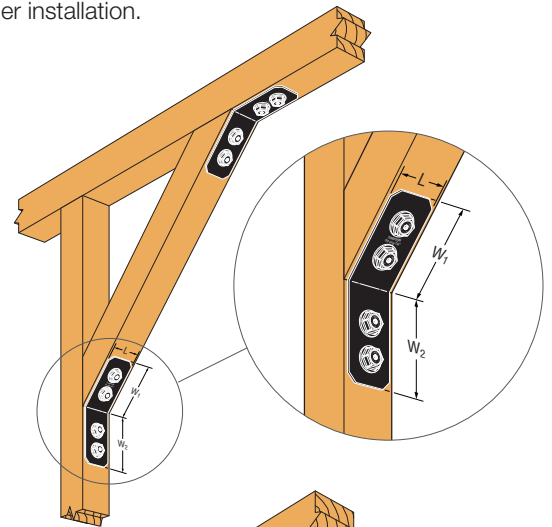
Knee Braces

Model No.	Ga.	Dimensions (in.)			Fastener Qty.	
		L	W1	W2	Column or Beam	Knee Brace
APVKB45-4	12	3	5 5/8	5 5/8	2	2
APVKB45-6	12	5	4 7/8	4 7/8	2	2

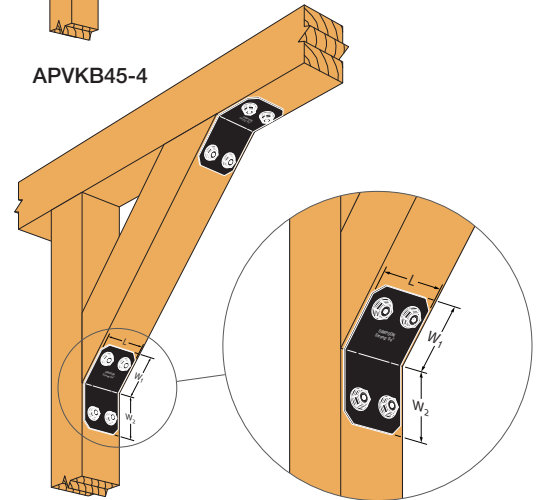
1. All fasteners are Outdoor Accents SDWS22312DBB inserted through an STN22 hex-head washer. Quantities listed are for one part.
2. Fasteners sold separately.



3½" structural wood screw with hex-head washer



APVKB45-4



APVKB45-6



Accessorize Your Party Space

No more searching for a bottle opener at your next outdoor gathering. Install the APBO-KT decorative bottle opener to make it easy and convenient to keep the refreshments flowing smoothly in your outdoor living area. This three-piece kit installs easily with the included 1" black screws and works well with both the Outdoor Accents Mission Collection® and the Avant Collection™.

Key Features

- Black textured, UV-protected composite plastic backplate and removable catch cup
- Sturdy black metal bottle opener
- Easily installs on any wood post
- Catch cup features drain holes in bottom

Bottle Opener Kit

Model No.	Description	Material	Packaging Qty.
APBO-KT	Backplate, removable catch cup, metal bottle opener, (3) screws	Combination	1

Product Carton Quantities

Model No.	Description	Master Carton Qty.
SDWS25200DBB-R50	2" structural wood screw 50 pc.	6
SDWS25200DBBC12	2" structural wood screw 12 pc.	5
APRTC2	Rigid Tie® corner connector	8
APRTA2	Rigid Tie angle	12
APRTA12	Rigid Tie angle	24
APRTR	Rigid Tie rail connector	20
APGT2	Gazebo Tie connects 2x rafter to top plate	12
APGT6	Gazebo Tie connects six 2x rafters	6
APGTF	Gazebo Tie connects bottom rim joist	12
APVKB45-4	Avant Collection knee brace for 4x	12
APVKB45-6	Avant Collection knee brace for 6x	12
APBO-KT	Bottle opener kit*	4

* The bottle opener carton can also serve as a counter display when the full carton is ordered.

Outdoor Accents
decorative hardware
collections

Choose **Your**
Outdoor **Style**

This flier is a supplement to the main flier, F-C-OAMCAC, which features the complete Outdoor Accents hardware line. It is available on strongtie.com/outdooraccents.