

Outdoor Accents® Essentials Collection

Outdoor Accents Fasteners

Outdoor Accents Connector Screw

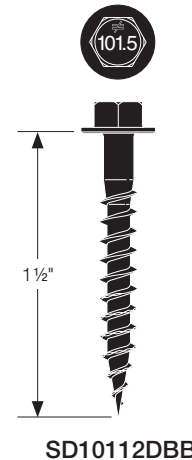
The Outdoor Accents connector screw reduces installation time by driving easily without predrilling. Designed for installation with the Outdoor Accents APA21 90° angle and APLH light joist hangers, the screw's black finish accents any outdoor living project. The sharp point of the screw enables fast starts.

Features:

- Use with Outdoor Accents Decorative Hardware (sold separately) for an appealing look
- ¼" hex head **engages with driver bit for easier installation** (¼" hex drive bit included)
- Optimized heat treating for ductility and strength
- The single-fastener steel-side-plate allowable load of the SD10 exceeds the shear load of a 0.162" x 3½" nail
- Code listed in ICC-ES ESR-3046

Material: Carbon steel

Finish: Double-barrier black proprietary coating



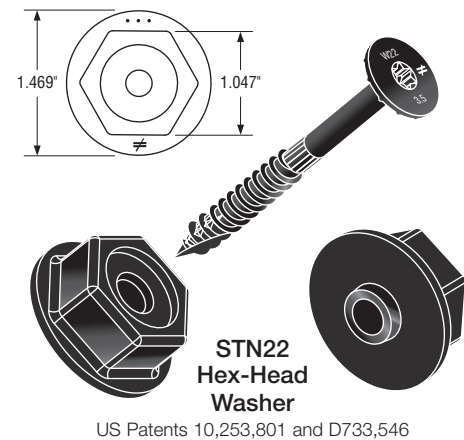
Outdoor Accents Hex-Head Washer

While the Outdoor Accents patented hex-head washer provides the decorative appearance of a bolted connection, its patented design enables an easier and significantly faster installation time than through-bolting. The hex-head washer is designed to help fasten Outdoor Accents post bases, T and L straps, angles, gable plates and heavy joist hangers.

Features:

- Combined with the Outdoor Accents structural wood screw (SDWSDBB), it provides a structural load-rated solution
- Easy to install
- Code listed in IAPMO-UES ER-192

Finish: Quik Guard® black coating for exterior use



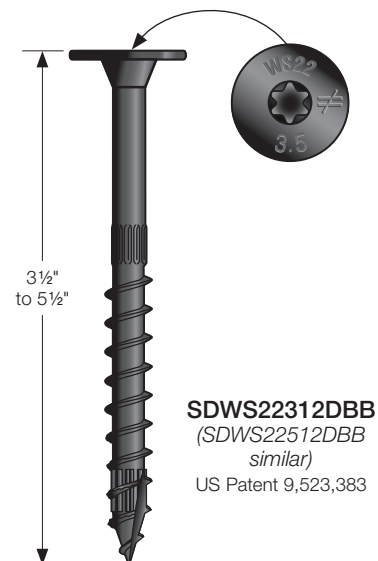
Outdoor Accents Structural Wood Screw

The Outdoor Accents structural wood screw reduces installation time by driving easily without predrilling. When combined with the patented, load-rated Outdoor Accents hex-head washer, the solution delivers the decorative appearance of a bolt connection but with a much easier installation. The structural screw and washer are sold separately from each other and from the Outdoor Accents connectors.

Features:

- Use with Outdoor Accents Decorative Hardware and STN22 hex-head washer (sold separately) for an appealing look
- Use Outdoor Accents structural wood screw solitarily as a wood-to-wood fastener
- New patented SawTooth™ point ensures fast starts, reduces installation torque and eliminates the need for predrilling in most applications
- Deep 6-lobe T40 recess makes driving easier (T40 drive bit included)
- Code listed IAPMO-UES ER-192

Finish: Double-barrier black proprietary coating



Outdoor Accents® Essentials Collection

Outdoor Accents Fasteners (cont.)

Outdoor Accents® Connector Screw



Model No.	Size (in.)	Thread Length (in.)	DF/SP Allowable Loads		SPF/HF Allowable Loads		Code Ref.
			Shear Steel Side Plate 20 ga. – 12 ga. (lb.)	Withdrawal (lb./in.)	Shear Steel Side Plate 20 ga. – 12 ga. (lb.)	Withdrawal (lb./in.)	
SD10112DBB	#10 x 1½	1	173	173	138	122	IBC, FL, LA

1. Allowable loads are shown at a wood load duration factor of $C_D = 1.0$. Loads may be increased for load duration per the building code up to a $C_D = 1.6$. Tabulated values must be multiplied by all applicable NDS adjustment factors.
2. Withdrawal loads and steel-side-plate shear loads are based on testing per ICC-ES AC233.
3. Withdrawal loads are based on penetration of the screw's entire thread length into the main member.
4. Visit strongtie.com for wood-to-wood shear values and wood side-plate details.
5. Fasteners sold separately.

Outdoor Accents® Structural Wood Screw with Hex-Head Washer — Wood to Wood/Steel Side Plate



Model No.	Size (in.)	Thread Length (in.)	Allowable Shear Loads (lb.)						Code Ref.
			2x Wood Side Member			12-ga. Steel Side Member			
			DF/SP	SPF/HF	Western Cedar	DF/SP	SPF/HF	Western Cedar	
SDWS22312DBB with STN22	0.22 x 3½	2	235	192	179	470	385	320	IBC, FL, LA
SDWS22512DBB with STN22	0.22 x 5½	2¾	465	430	395	640	495	425	

1. Allowable loads are for connections between two members with full screw thread penetration into the main member.
2. Allowable loads are shown at a wood load duration factor of $C_D = 1.0$. Loads may be increased for load duration per the building code up to a $C_D = 1.6$. Tabulated values must be multiplied by all applicable NDS adjustment factors.
3. Minimum spacing, edge, and end distance requirements are per IAPMO-UES ER-192.
4. Loads are based on installation into the side grain of the wood with the screw axis perpendicular to the face of the member.

Outdoor Accents® Structural Wood Screw — Wood to Wood



Model No.	Size (in.)	Thread Length (in.)	Allowable Shear Loads (lb.)			Allowable Withdrawal Loads (lb./in.)			Code Ref.
			2x Wood Side Member			DF/SP	SPF/HF	Western Cedar	
			DF/SP	SPF/HF	Western Cedar				
SDWS22312DBB	0.22 x 3½	2	255	190	225	164	151	142	IBC, FL, LA
SDWS22512DBB	0.22 x 5½	2¾	405	405	230	214	187		

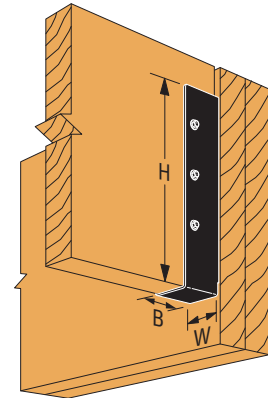
1. Allowable loads are for connections between two members with full screw thread penetration into the main member.
2. Allowable loads are shown at a wood load duration factor of $C_D = 1.0$. Loads may be increased for load duration per the building code up to a $C_D = 1.6$. Tabulated values must be multiplied by all applicable NDS adjustment factors.
3. Minimum spacing, edge, and end distance requirements are per IAPMO-UES ER-192.
4. Loads are based on installation into the side grain of the wood with the screw axis perpendicular to the face of the member.

Outdoor Accents® Essentials Collection

Outdoor Accents Joist Hangers

Light Joist Hanger

Joist Size	Model No.	Ga.	Dimensions (in.)			Fastener Qty.		DF/SP Allowable Loads				Code Ref.
			W	H	B	Header	Joist	Uplift (160)	Floor (100)	Snow (115)	Roof (125)	
2x4	APLH24	14	1 $\frac{1}{16}$	3 $\frac{5}{16}$	1 $\frac{7}{8}$	4	2	315	690	795	865	IBC, FL, LA
	APLH24R		2 $\frac{1}{16}$	3 $\frac{1}{16}$								
2x6 or 2x8	APLH26	14	1 $\frac{1}{16}$	5 $\frac{1}{8}$	1 $\frac{7}{8}$	6	4	900	1,040	1,195	1,300	
	APLH1.75-6		1 $\frac{3}{16}$	5								
	APLH26R		2 $\frac{1}{16}$	4 $\frac{7}{8}$								
2x10 or 2x12	APLH210	14	1 $\frac{1}{16}$	8	1 $\frac{7}{8}$	10	6	1,345	1,730	1,990	2,165	
	APLH1.75-10		1 $\frac{3}{16}$	7 $\frac{7}{8}$								
	APLH210R		2 $\frac{1}{16}$	7 $\frac{3}{4}$								

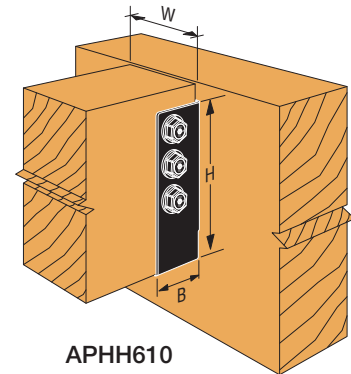


APLH210

1. Uplift loads have been increased for earthquake or wind loading with no further increase allowed. Reduce where other loads govern.
2. All fasteners are Simpson Strong-Tie® SD10112DBB.
3. Fasteners sold separately.

Heavy Joist Hanger

Joist Size	Model No.	Ga.	Dimensions (in.)			Fasteners Qty.		DF/SP Allowable Loads				Code Ref.
			W	H	B	Header	Joist	Uplift (160)	Floor (100)	Snow (115)	Roof (125)	
4x6 or 4x8	APHH46	12	3 $\frac{3}{16}$	5 $\frac{1}{8}$	3	6	2	1,165	2,280	2,280	2,280	IBC, FL, LA
	APHH46R		4 $\frac{1}{16}$	4 $\frac{7}{8}$								
6x10 or 6x12	APHH610	12	5 $\frac{1}{2}$	8 $\frac{1}{2}$	3	14	6	4,140	5,880	6,760	7,350	
	APHH610R		6	8 $\frac{1}{4}$								



APHH610

1. Uplift loads have been increased for earthquake or wind loading with no further increase allowed. Reduce where other loads govern.
2. All fasteners are Simpson Strong-Tie® SDS25300 to the header and SDWS22312DBB with STN22 hex-head washer to the joist.
3. Fasteners sold separately.

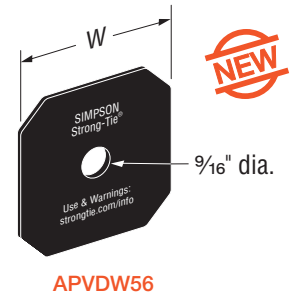
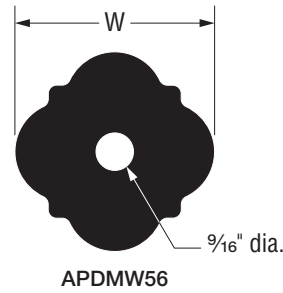
Outdoor Accents® Accessories Collection

Outdoor Accents Accessories

Decorative Washer

Model No.	Ga.	Hole Diameter (in.)	W (in.)
APDMW56	12	9/16	3
APVDW56	12	9/16	3

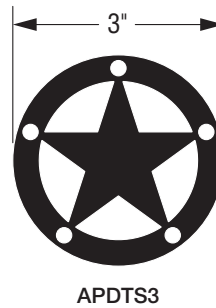
1. Fastener is SDWS22312DBB inserted through an STN22 hex-head washer.



Decorative Star

Model No.	Ga.	Screw Size	W (in.)
APDTS3	12	#10 x 1 1/2"	3

1. All fasteners are Outdoor Accents® SD10112DBB connector screws.



Decorative Post Cap

Model No.	Material and Finish	Post Size	L (in.)	W (in.)	Fasteners (in.)
APDPC4	Black composite	4x4	3%	3%	(1) 0.131 x 2 1/2 OR (1) 0.148 x 3
APDPC6		6x6	5%	5%	(1) 0.131 x 2 1/2 OR (1) 0.148 x 3

1. **Fasteners:** Nail dimensions are listed diameter by length. See pp. 21–22 for fastener information.



APDPC6
(APDPC4 similar)

APBO Bottle Opener

This new bottle opener is made of black textured, UV-protected composite. It features a metal bottle opener and a removable catch cup. It attaches with three corrosion-resistant fasteners (included).



APBO-KT